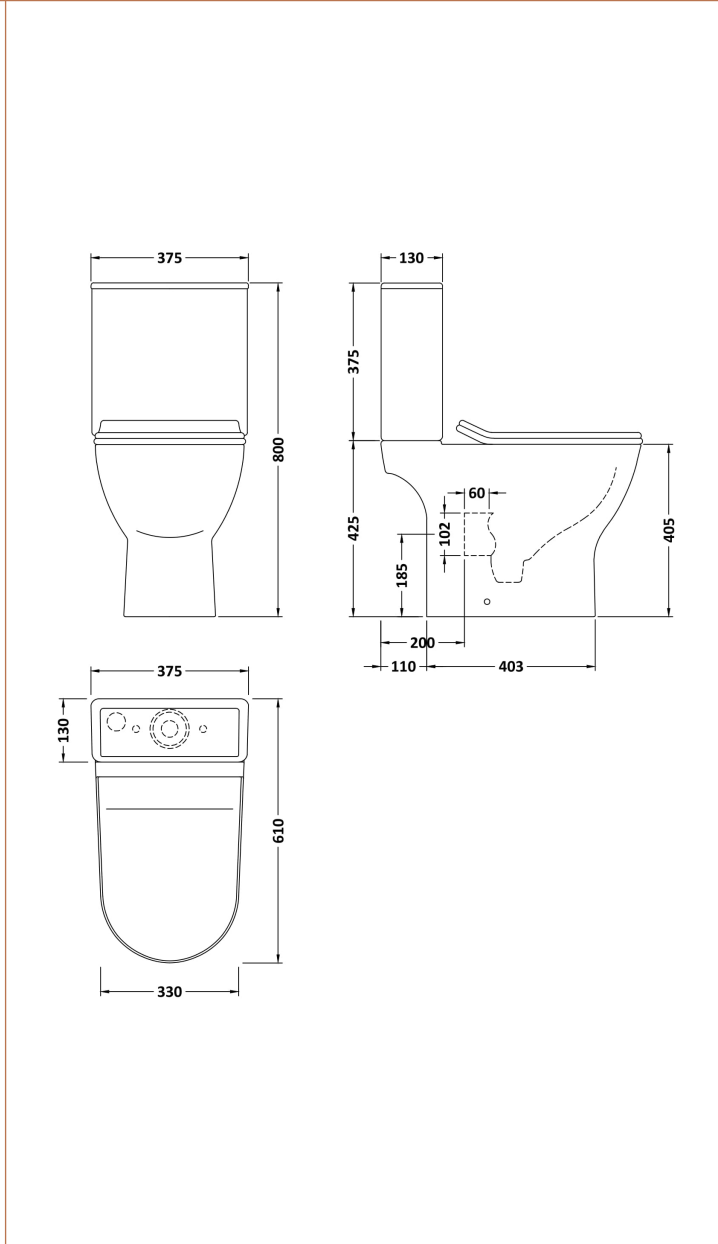


Sales Code: NCG350

Description: Freya Rimless Pan, Cistern & Pp Seat



Product Dimensions

Height (mm):	800
Width (mm):	375
Depth (mm):	610
Nett Weight (kg):	33.5

Packaging Dimensions

Height (mm):	435
Width (mm):	770
Depth (mm):	420
Gross Weight (kg):	34

Packaging Data

Box Colour:	Brown Cardboard Box - Printed		
Box Qty:	1		
Label Size:	100 x 50		
Label Colour:	White Label		
Label Qty:	2		

Outer Box Dimensions (If Applicable)

Height (mm):	
Width (mm):	
Depth (mm):	
Gross Weight (kg):	
Barcode:	5056211868255

Product Details

Country of Origin:	China		
Fitting Instruction:	No		
Certification:	CE: Yes	WRAS: N/A	WRAS No: N/A
Product Material:	Vitreous China		
Fixing Supplied:	Yes		

Pans/Bidets: Trap Style: P Trap Includes Seat: Yes

Seats: Seat Type: Round Material: Polypropylene
Function: Soft Close Hinge Type: Top Fix
Hinge Material: Metal

Cisterns: Operating Type: Push Button Fittings: Pre-Fitted 6/3L
Lever Type: Plastic Chrome Plate

Basins: Tap Hole: Not Applicable Chain Stay Hole: Not Applicable
Template: Not Applicable Waste Type Req: Not Applicable
Overflow Inc: Not Applicable Overflow Cover: Not Applicable
Inner Bowl Depth (mm): N/A