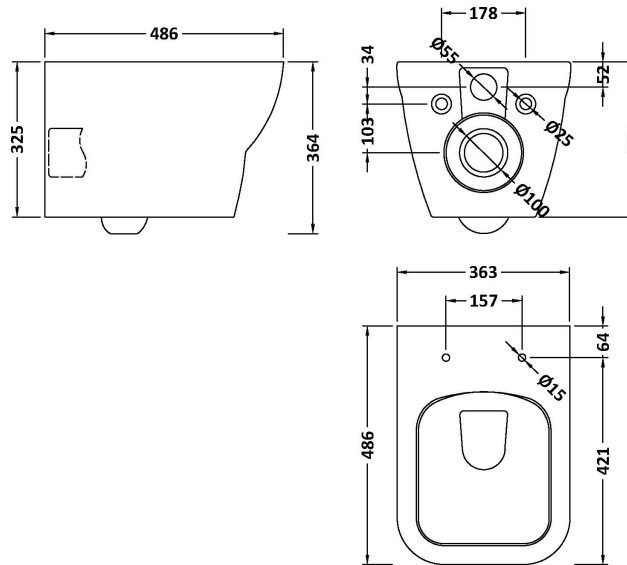


Sales Code: NCG441

Description: Ava Wall Hung Pan & Sc Seat (Urea)



Product Dimensions

Height (mm):	364
Width (mm):	363
Depth (mm):	486
Nett Weight (kg):	24

Packaging Dimensions

Height (mm):	420
Width (mm):	395
Depth (mm):	540
Gross Weight (kg):	25

Packaging Data

Box Colour:	Brown Cardboard Box
Box Qty:	1
Label Size:	100 x 50
Label Colour:	White Label
Label Qty:	2

Outer Box Dimensions (If Applicable)

Height (mm):	
Width (mm):	
Depth (mm):	
Gross Weight (kg):	
Barcode:	5056462688725

Product Details

Country of Origin:	China
Fitting Instruction:	No
Certification: CE & UKCA:	No
WRAS:	N/A
WRAS No:	N/A
Product Material:	Vitreous China
Fixing Supplied:	No

Pans/Bidets:	Trap Style:	Includes Seat: Yes
---------------------	-------------	--------------------

Seats:	Seat Type: N/A	Material: Urea
	Function: Soft Close	Hinge Type: Top Fix, Quick Release
	Hinge Material: Stainless Steel	

Cisterns:	Operating Type: Not Applicable	Fittings: Not Applicable
	Lever Type: N/A	

Basins:	Tap Hole: Not Applicable	Chain Stay Hole: Not Applicable
	Template: Not Applicable	Waste Type Req: Not Applicable
	Overflow Inc: Not Applicable	Overflow Cover: Not Applicable
	Inner Bowl Depth (mm): N/A	