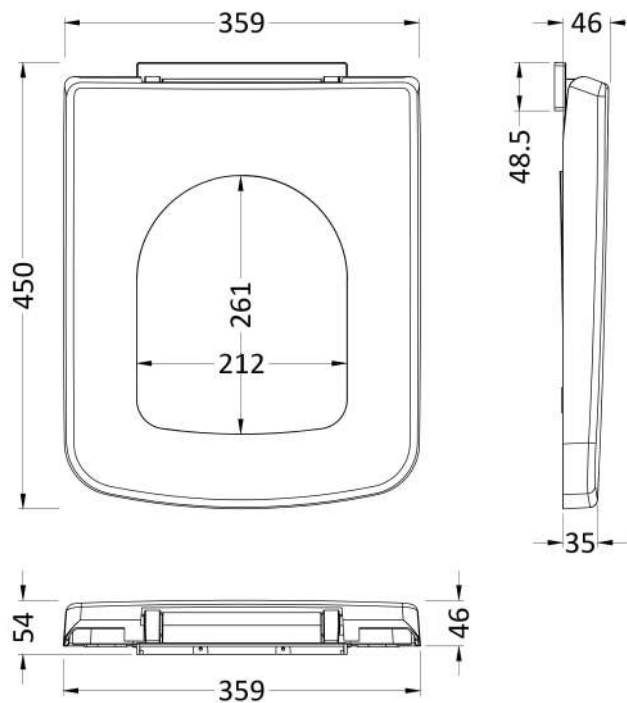


Sales Code: NCH196

Description: Standard Square Seat, Sc, Top Fix



### Product Dimensions

Length (mm):	430
Width (mm):	355
Height (mm):	52
Nett Weight (kg):	2.54

### Packaging Dimensions

Length (mm):	460
Width (mm):	380
Height (mm):	60
Gross Weight (kg):	2.8

### Packaging Data

Box Colour:	White Cardboard Box - Printed
Box Qty:	1
Label Size:	100 x 50
Label Colour:	Not Applicable
Label Qty:	0

### Outer Box Dimensions (If Applicable)

Length (mm):	470
Width (mm):	280
Height (mm):	390
Gross Weight (kg):	14
Barcode:	5056211803362

### Product Details

Country of Origin:	China
Fitting Instruction:	Yes
CE & UKCA:	Not Applicable
Product Material:	Urea
Seat Type:	D Shape
Seat Function:	Soft Close
Hinge Centres (Min):	115
Hinge Centres (Max):	220
Hinge Material:	Stainless Steel Nylon
Colour/Finish:	White
Fixing Method:	Top Fix