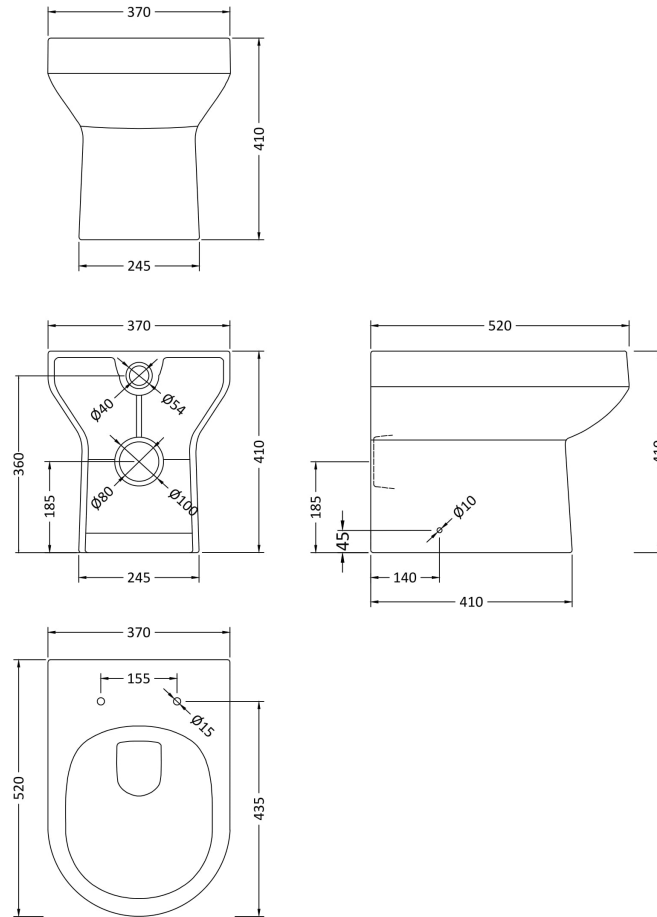


Sales Code: NCH606

Description: Harmony Btw Pan



### Product Dimensions

Height (mm):	410
Width (mm):	370
Depth (mm):	520
Nett Weight (kg):	24.5

### Packaging Dimensions

Height (mm):	430
Width (mm):	415
Depth (mm):	570
Gross Weight (kg):	25

### Packaging Data

Box Colour:	Brown Cardboard Box - Printed
Box Qty:	1
Label Size:	100 x 50
Label Colour:	White Label
Label Qty:	2

### Outer Box Dimensions (If Applicable)

Height (mm):	
Width (mm):	
Depth (mm):	
Gross Weight (kg):	
Barcode:	5055369030897

### Product Details

Country of Origin:	China
Fitting Instruction:	No
Certification:	CE: No WRAS: N/A WRAS No: N/A
Product Material:	Vitreous China
Fixing Supplied:	No

**Pans/Bidets:** Trap Style: P Trap Includes Seat: No

**Seats:** Seat Type: Not Applicable Material: Not Applicable  
Function: Not Included Hinge Type: Not Applicable  
Hinge Material: Not Applicable

**Cisterns:** Operating Type: Not Applicable Fittings: Not Applicable  
Lever Type: Not Applicable

**Basins:** Tap Hole: No Tapholes Chain Stay Hole: Not Applicable  
Template: Not Applicable Waste Type Req: Not Applicable  
Overflow Inc: Not Applicable Overflow Cover: Not Applicable  
Inner Bowl Depth (mm): N/A