

ASSEMBLY INSTRUCTIONS

SINGLE PANEL BATH SCREEN SQUARE EDGE



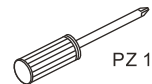
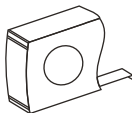
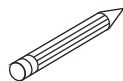
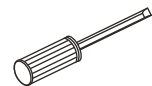
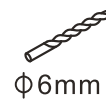
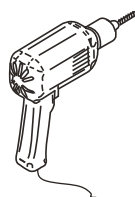
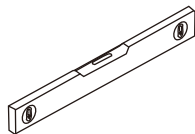
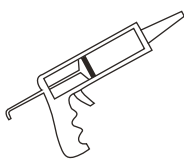
General Information

Please inspect this product upon delivery. Any missing parts or manufacturing defects must be reported immediately to the supplier. Damage or defects reported later will not be accepted. TAKE CARE WHEN HANDLING GLASS PARTS - AVOID HEAVY CONTACT BETWEEN THE GLASS EDGES AND ANY HARD SURFACE. Glass breakage claims will not be accepted after the product has been unpacked.

Aftercare instructions

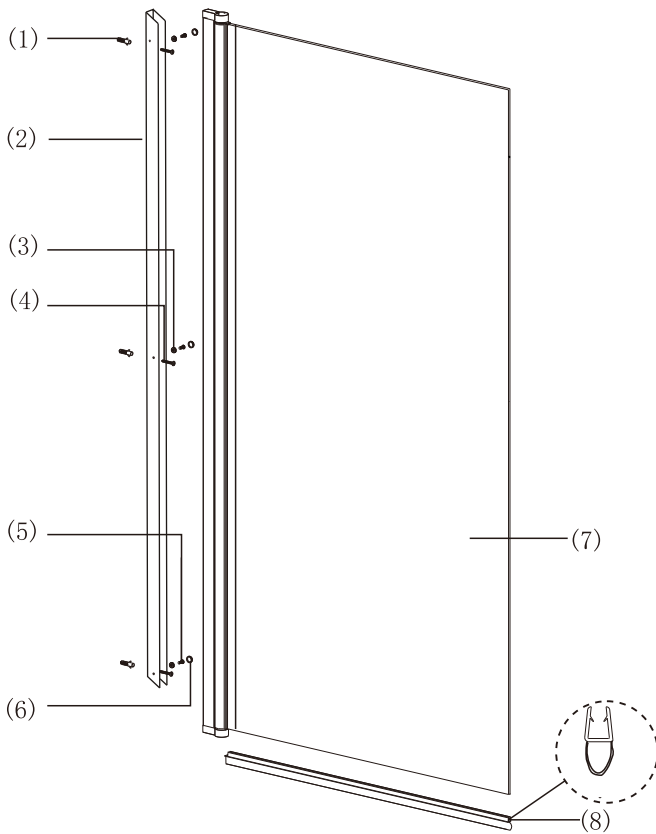
Regularly clean your shower product with warm soapy water to prevent lime scale build up. DO NOT use abrasive cleaning fluids or materials, or strong chemical cleaners as this will damage the product surface.

Tools Required



This product is heavy and may require two people to install.

ASSEMBLY INSTRUCTIONS-DRAWING



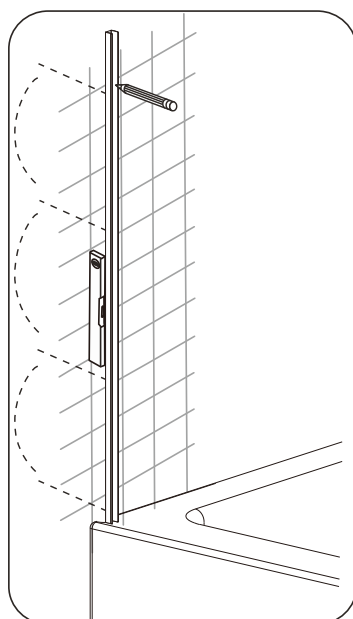
- (1) 3xWall Plugs
- (2) 1xWall Post
- (3) 3xCover Cap Clips
- (4) 3xScrews M4X30
- (5) 3xScrews M4X12
- (6) 3xCover Caps
- (7) 1xGlass Screen
- (8) 1xBottom Seal

ASSEMBLY INSTRUCTIONS

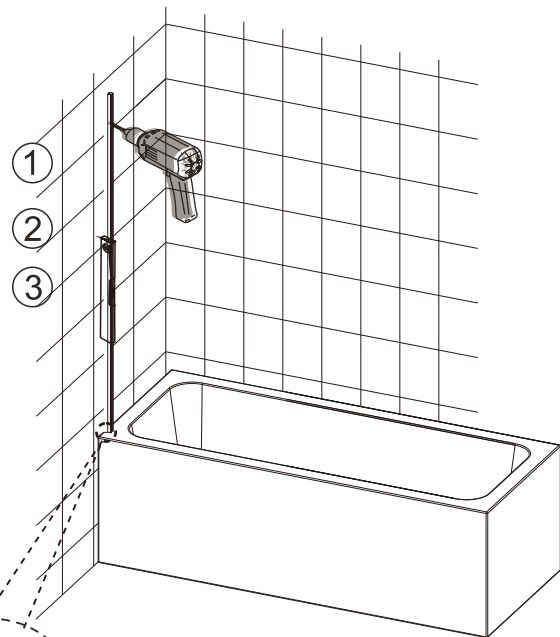
If you require help, we advise you firstly contact a competent plumber

Installation Steps (left-handed installation)

Step 1



①

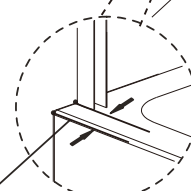


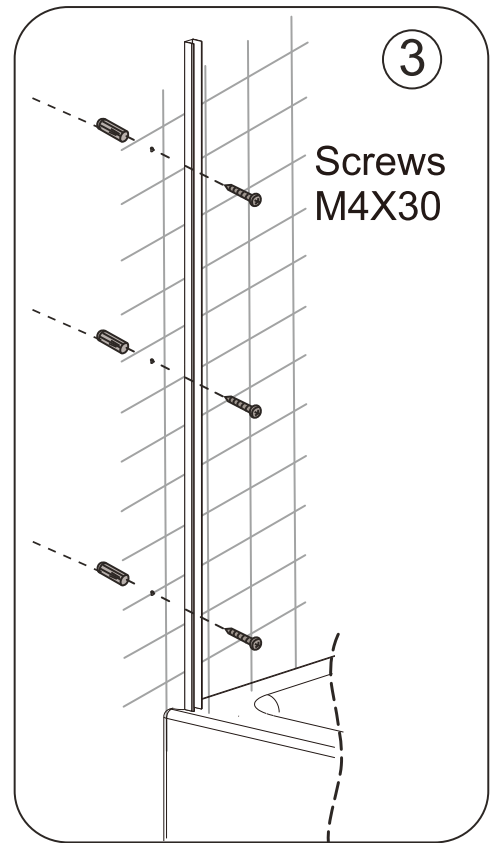
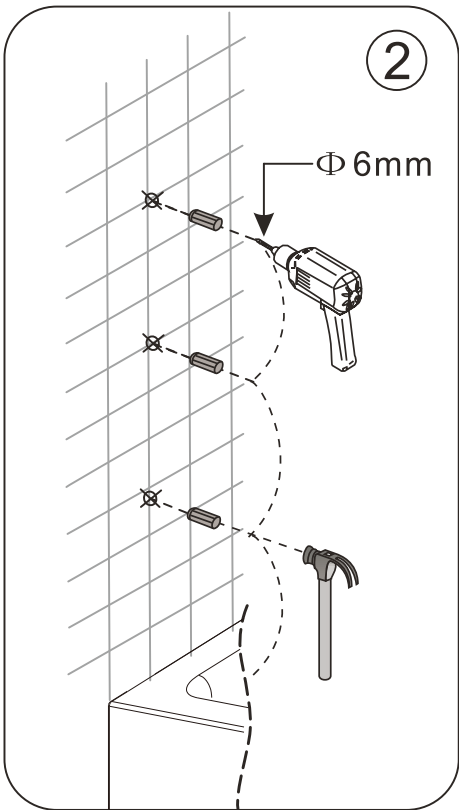
①

②

③

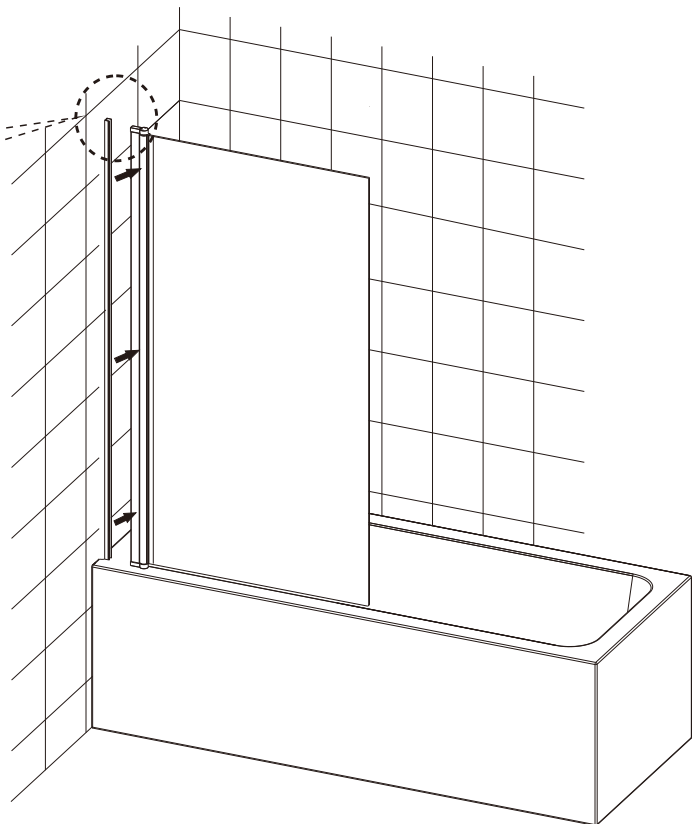
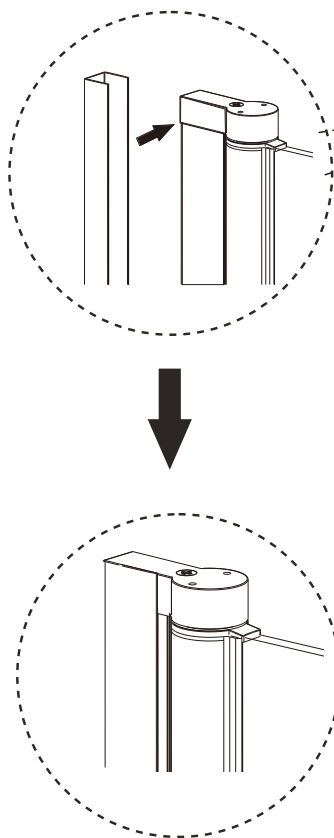
10mm





Take Care Not To
Damage Wall Surface

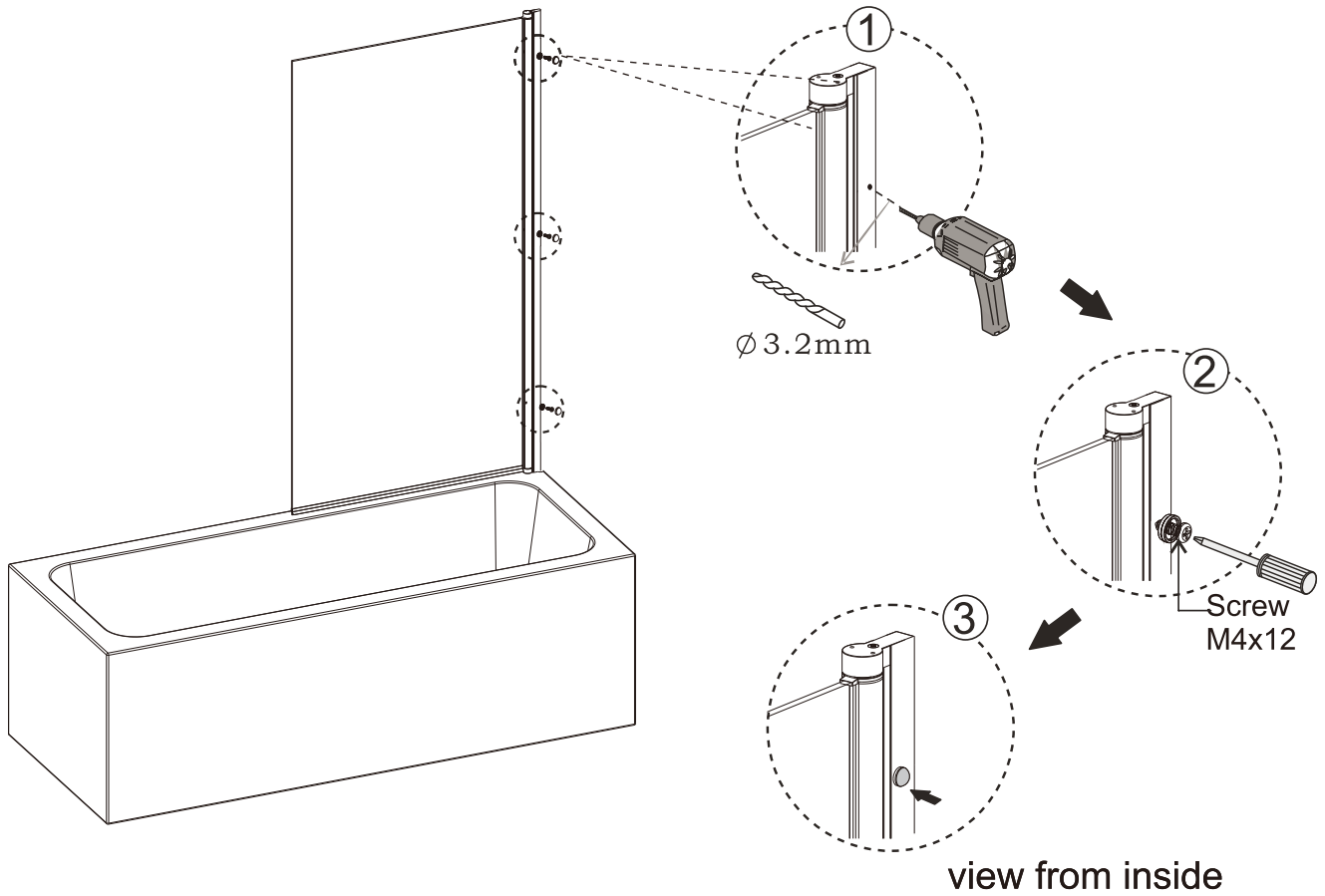
Step 2



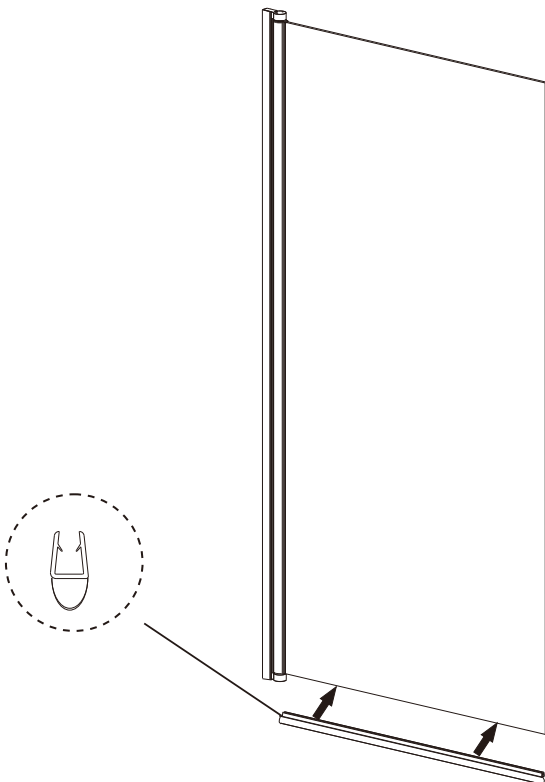
NOTE: To ensure the screen is parallel to the bath hold the top of the hinge and move the whole screen back or forwards to adjust before carrying out step 3.

Step 3

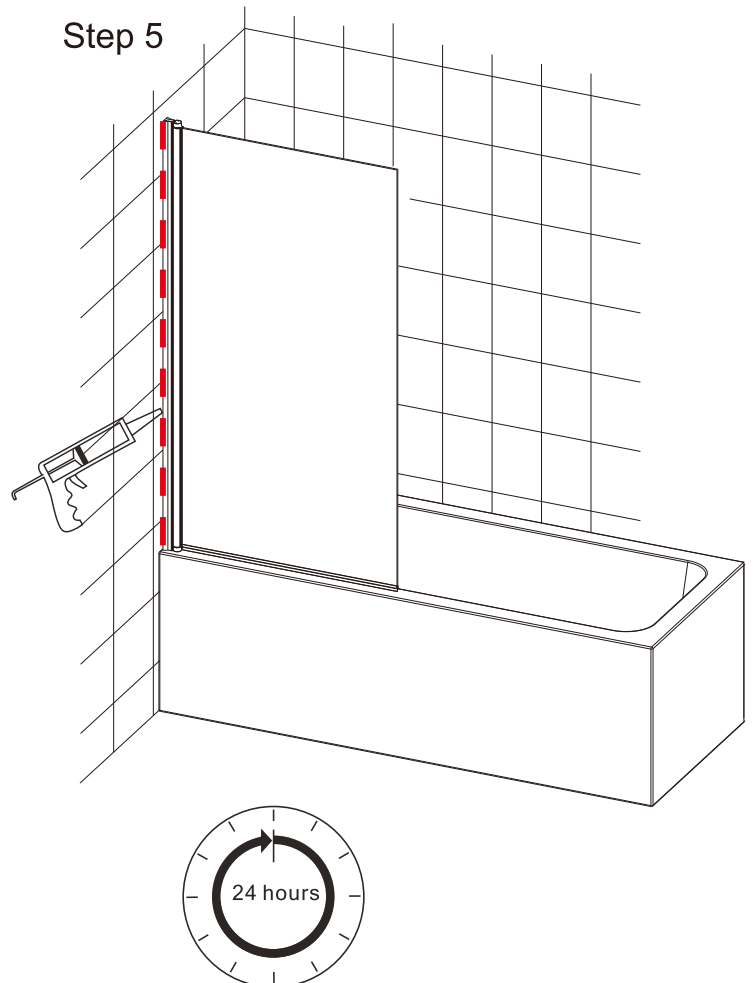
The holes should be drilled exactly 15mm from the wall



Step 4



Step 5



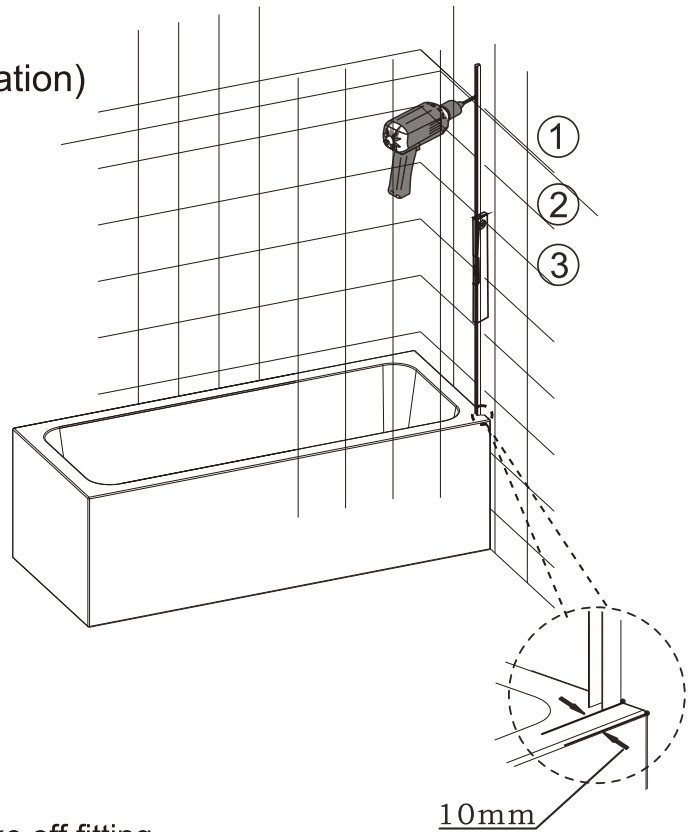
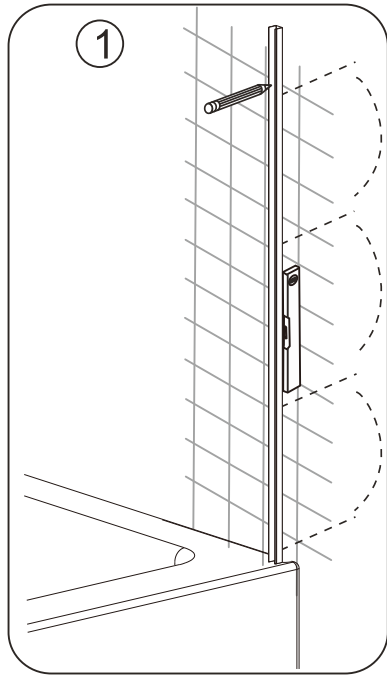
Allow 24 hours for silicone to dry before use.

Silicone on the outside edge only

ASSEMBLY INSTRUCTIONS

Installation Steps (right-handed installation)

Step 1

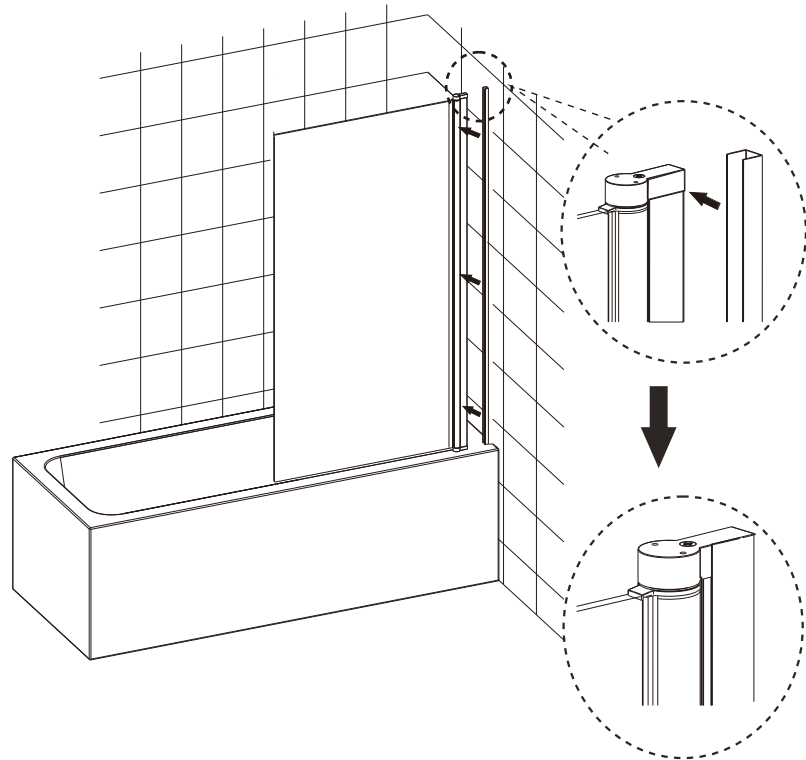
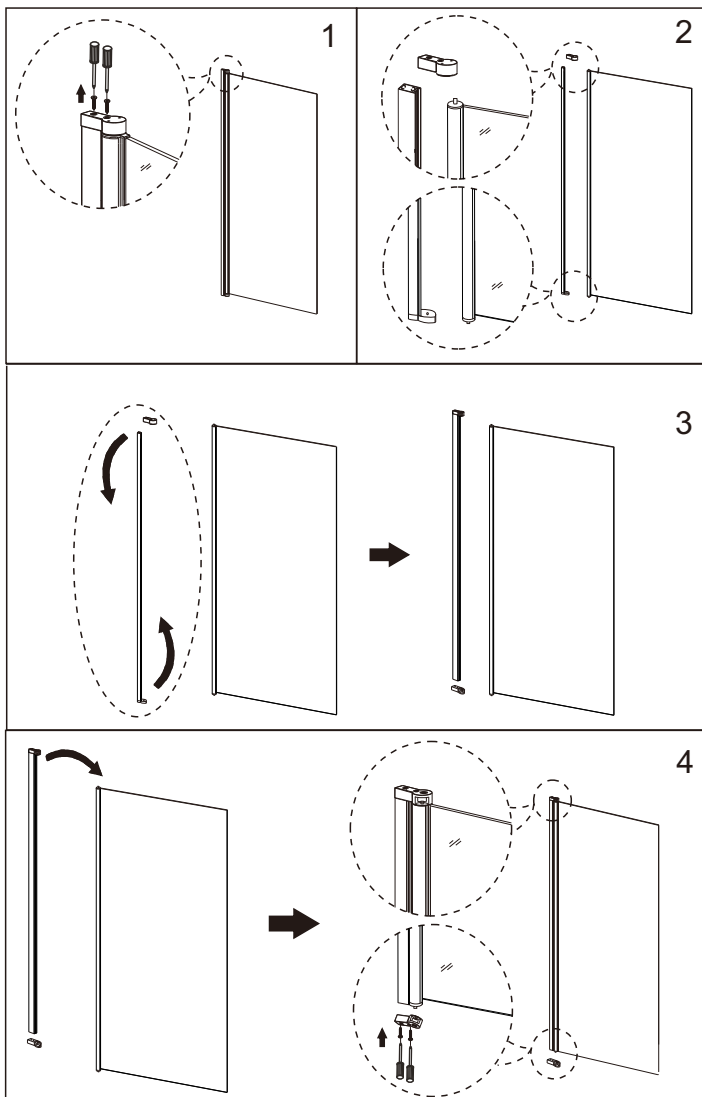


Step 2

Loosen the screw of one end fitting and then take off fitting.

Turn around the profile with another fitting to swap top and bottom fittings.

Screw back the loosen fitting.

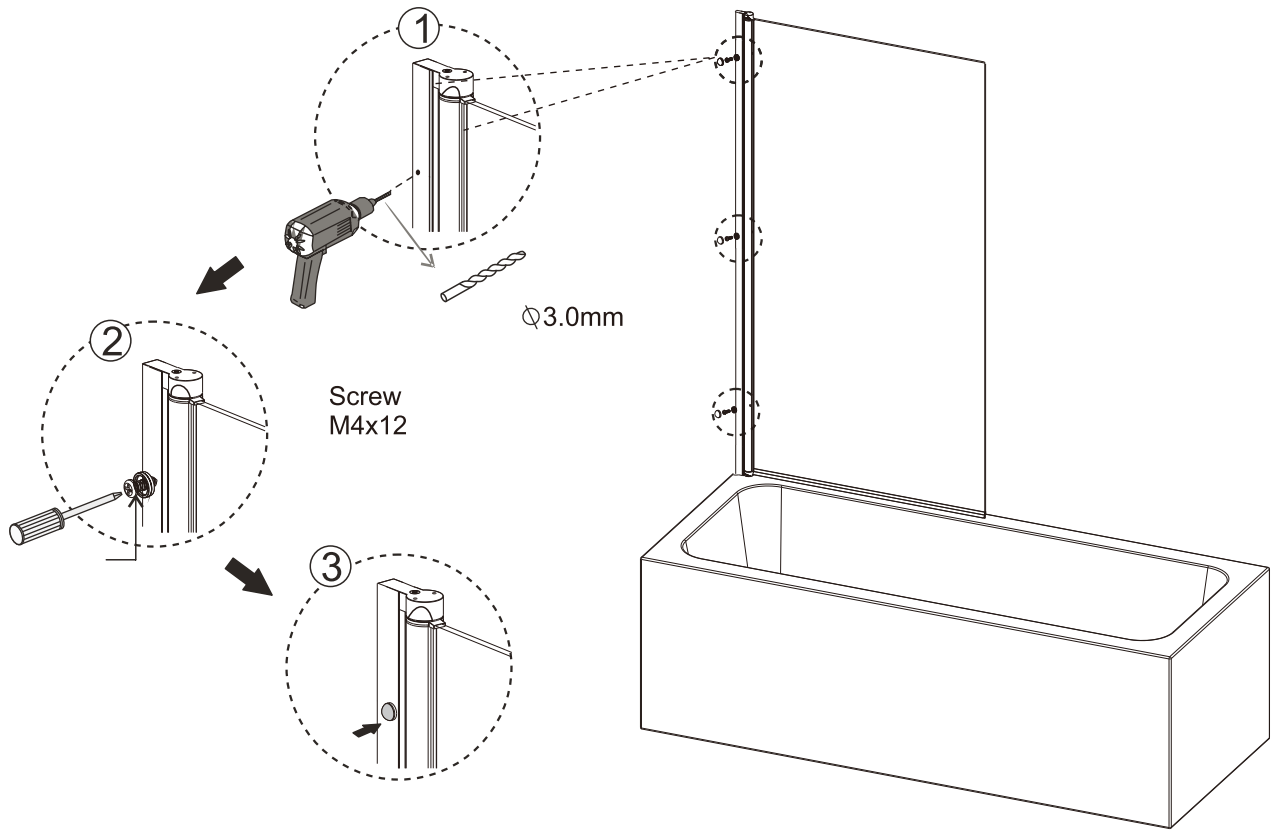


Please make sure the fitting's gap appear to inside

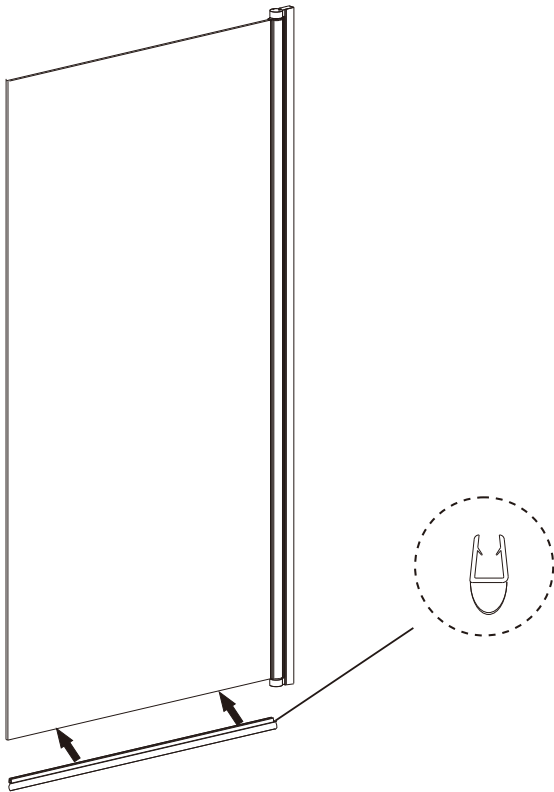
NOTE: To ensure the screen is parallel to the bath hold the top of the hinge and move the whole screen back or forwards to adjust before carrying out step 3.

Step 3

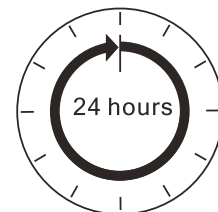
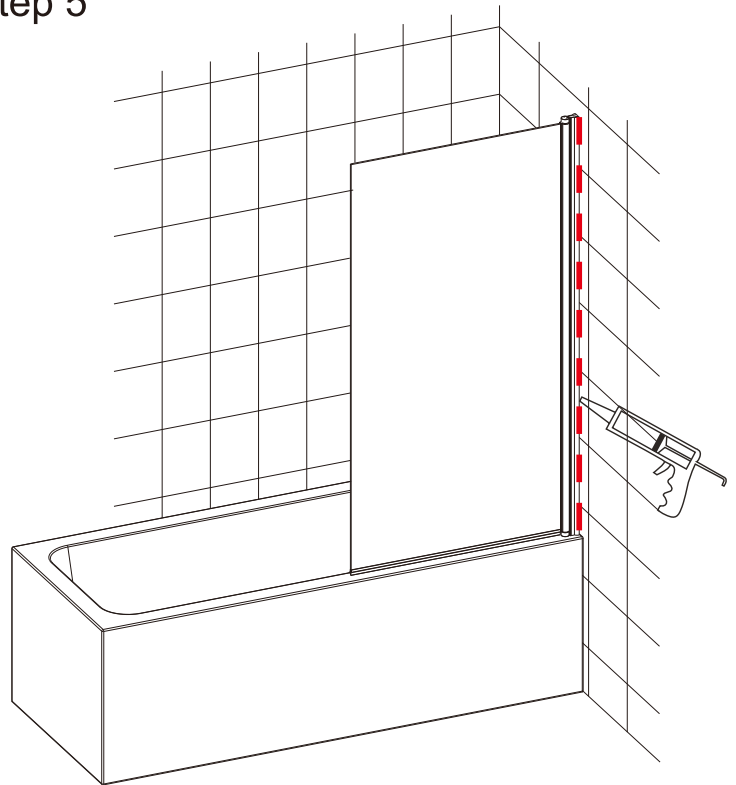
The holes should be drilled exactly 15mm from the wall



Step 4



Step 5



Allow 24 hours for silicone to dry before use.

Silicone on the outside edge only