

KUDOS

SINGLE PANEL BATHSCREENS

Installation Instructions

Please read these instructions throughout before installing as incorrect fitting will invalidate the guarantee.

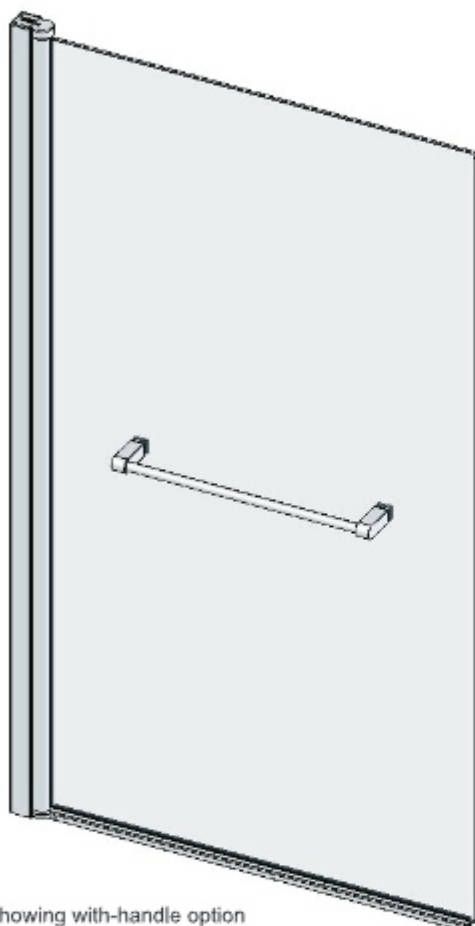
It is recommended that this product is installed by a competent person/s.

If you are unsure about these instructions please contact Kudos Shower Products

Customer Service Helpline: 01539 564040

HEALTH & SAFETY WARNING

DUE TO THE WEIGHT & SIZE OF THE GLASS PANELS A MINIMUM OF TWO PERSONS ARE REQUIRED TO MOVE AND INSTALL THIS BATHSCREEN



● Illustration showing with-handle option

IMPORTANT

Check appearance of all product - any defects must be reported to Kudos Shower Products before assembly/installation and before disposal of packaging.

Claims for imperfections will only be accepted prior to assembly/installation.

Any claims made under the terms of the Lifetime Guarantee must be reported to Kudos within 21 days of the fault occurring

Check the screen option/size is suitable for your installation

Use care when drilling into walls to avoid hidden pipes or electric cables

TOOLS REQUIRED

Pozi-head Screwdriver

Pencil

Tape Measure

Sealant Gun

Spirit Level

Mains or Battery Drill

7mm Drill Bit

Silicone Sealant - we recommend clear/transparent silicone

Wall fixings - fixings supplied are for masonry use only

CLEANING - general

Use only warm soapy water and damp cloth / sponge on a regular basis.

Do not use abrasive scouring powders, chemicals or aerosol cleaners - these may result in damage to the surfaces, in particular, the plated component parts.

KUDOS LIFESHIELD GLASS TREATMENT

The glass panels are pre-treated with Life Shield.

Whilst this makes cleaning the glass easier and helps prevent the build up of harmful lime-scale and soap deposits, the glass still needs to be maintained on a regular basis.

We recommend the use of a detergent free cleaner on the glass as harsh detergents and abrasives can damage the coating.

(A 50/50 mix of white vinegar and water works well)

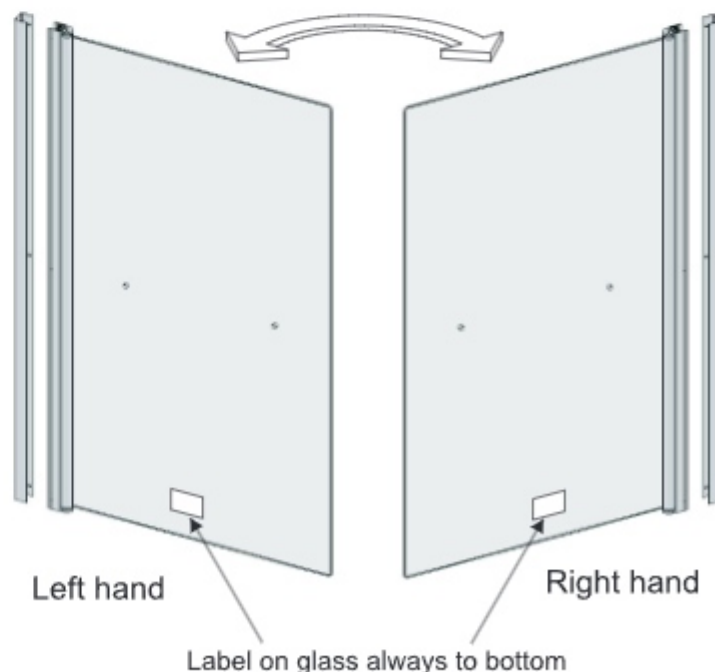
DO NOT use abrasive cleaners or abrasive scrubbing equipment for cleaning!!

DO use a squeegee to remove remaining droplets of water from glass after showering, any build up of residue can be easily removed using an appropriate cleaner and agitation from soft cleaning equipment

HANDING THE SCREEN

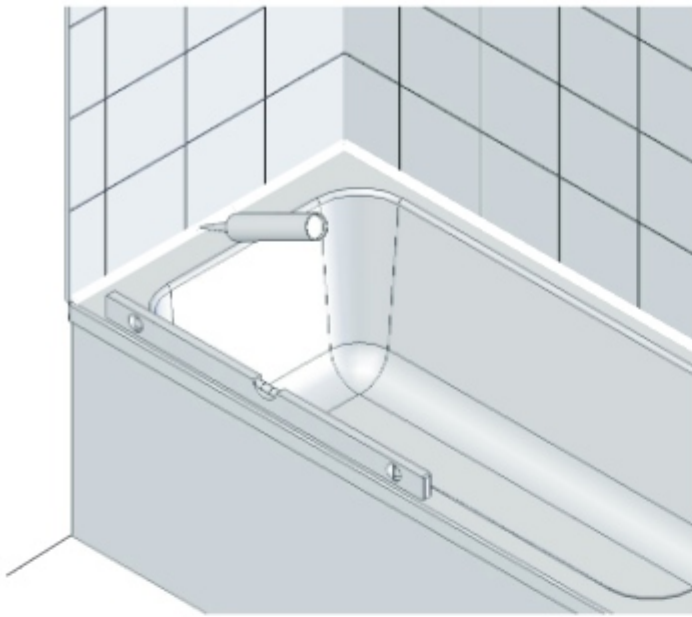
The bathscreen can be fitted to suit left hand and right hand installations.

To hand, simply turn the glass panel through 180 degrees about the vertical axis (not upside down).



THESE INSTRUCTIONS ARE TO BE LEFT WITH THE CONSUMER

1 CHECK BATH INSTALLATION



- Bathrim **MUST BE LEVEL** in all directions
- Bathscreen must be fitted to waterproof surface eg. tiles/shower panels
- Once the walls have been tiled and **before** the screen is installed, the tiles **must** be silicone sealed to the bath all of the way around in one continuous bead.
Failure to follow this instruction will result in leakage problems behind the screen wallpost.

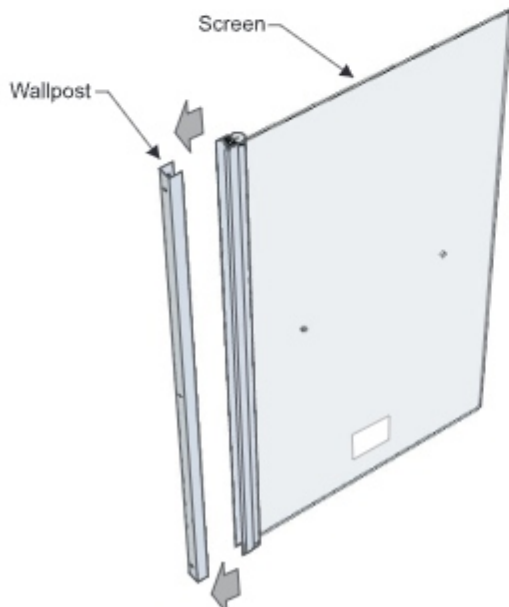
2 REMOVE FROM PACKAGING

- Carefully remove product from packaging and place on protective surface to avoid damage.

3 CHECK PARTS

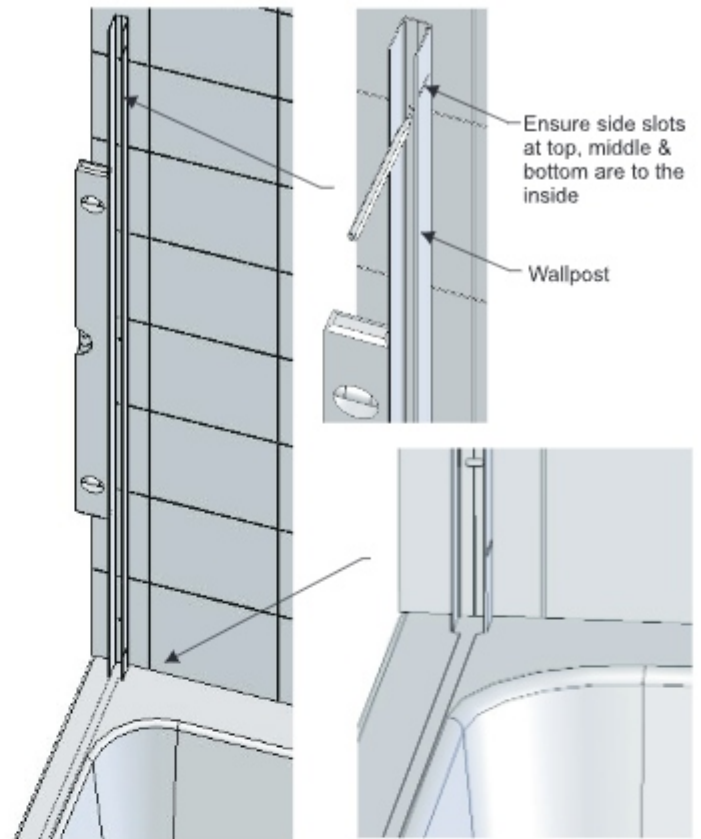
- Refer to separate leaflet supplied to check all contents.

4 REMOVE WALLPOST FROM SCREEN



- Remove wallpost from screen.

5 POSITION WALLPOST ON BATH

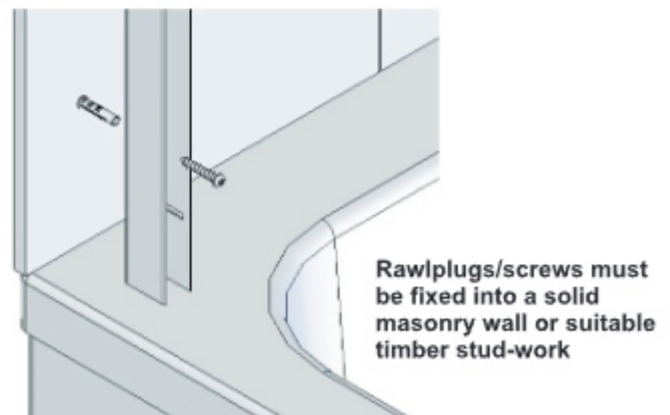


- Position wallpost onto bath so that when the screen is fitted, the bottom seal is on the **inside edge** of the bath rim.
- Ensure wallpost is vertical using spirit level. Using pencil, mark position of wallpost onto bath and through the 3x slots onto wall.

It is particularly important to position the bathscreen on the inside edge for the following reasons:

- To assist in water drainage off the screen and into the bath.
- For baths where the inside edge of the rim is higher than that of the outside edge. (We are unable to guarantee the screen will not leak on baths with a rim of this type).

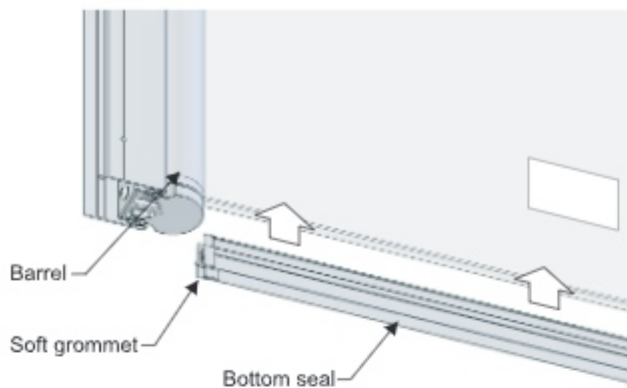
6 FIX WALLPOST



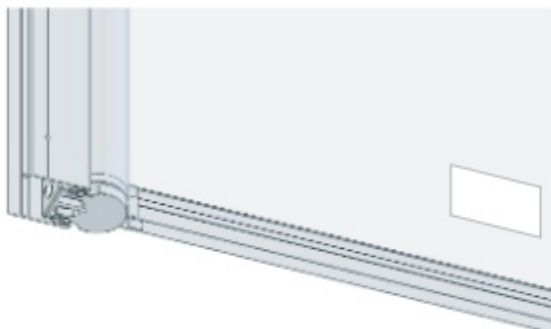
- Using 7mm drill bit, drill 3x holes in centre of marked slots and fit 3x rawplugs supplied or fixings suitable for the construction of the wall.
- Fix wallpost to wall using 3x no.8 x 30mm long panhead screws provided, ensuring wallpost is vertical.

TIP Apply a bead of silicone sealant around bottom & centre holes made in wall before fixing wallpost to wall.

7 FIT BOTTOM SEAL

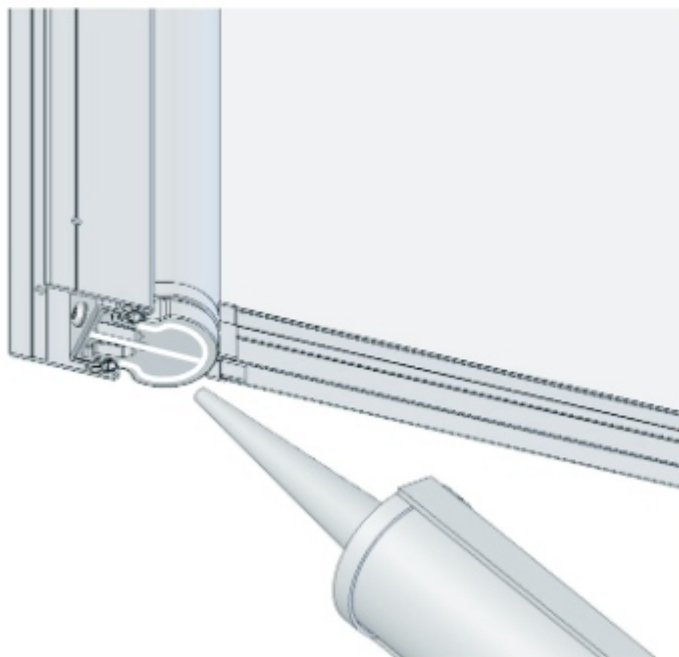


- Push fit bottom seal to bottom edge of glass panel, ensure the soft grommet is toward the barrel.



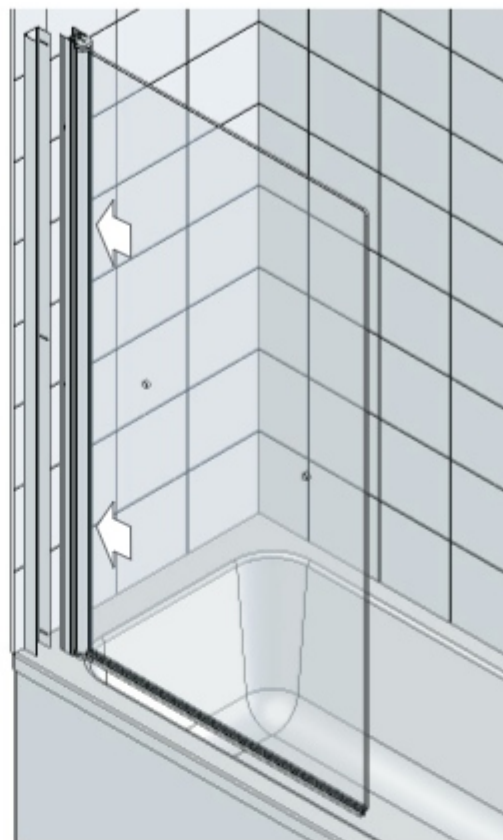
- Ensure the grommet is fitted tightly up against the barrel

8 APPLY SILICONE TO BOTTOM PIVOT



- Apply silicone sealant to bottom face of pivot moulding as shown.

9 FIT SCREEN INTO WALLPOST

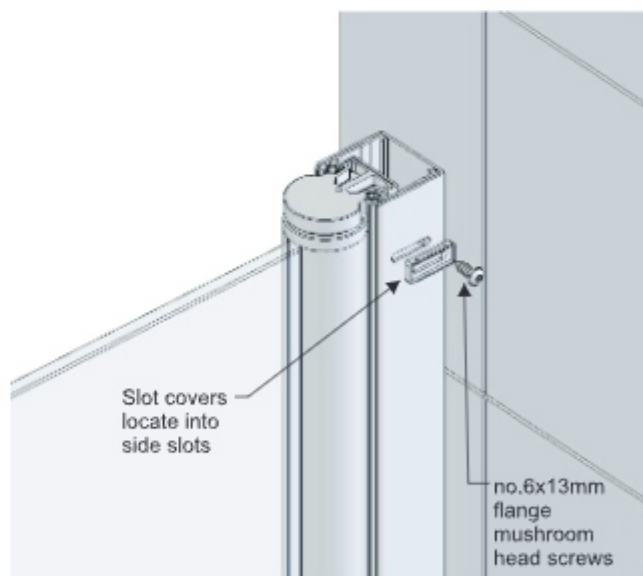


! TWO PERSONS REQUIRED

- Carefully lift the screen and position into the wallpost, then lower screen onto bath rim.

10 APPLY SILICONE TO BOTTOM PIVOT

10 FIX SCREEN TO WALLPOST



- Secure screen to wallpost using 3x slot covers & 3x no.6 x 13mm flange mushroom head screws into pre-drilled holes at top, middle & bottom.

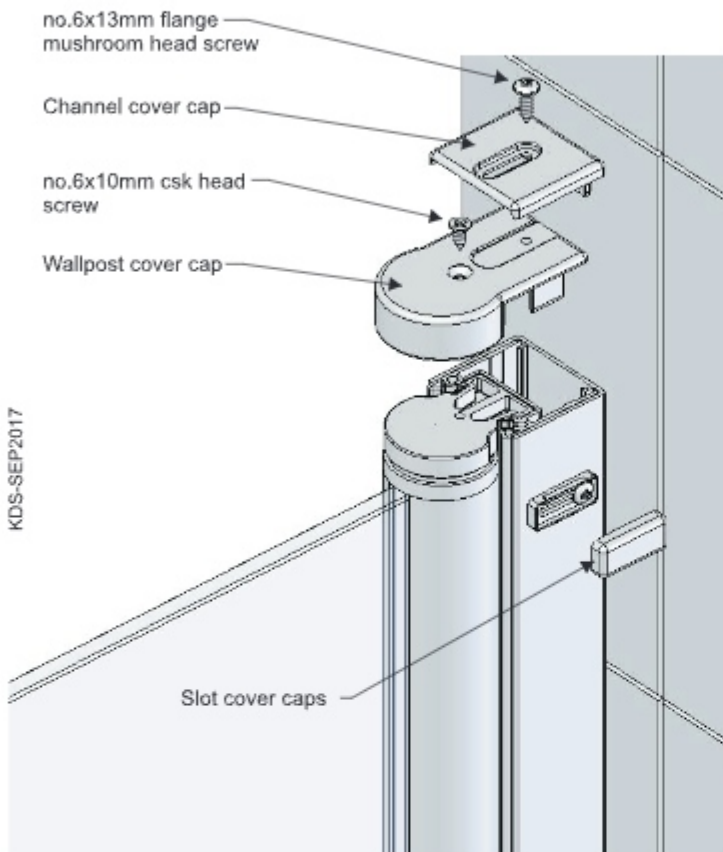
ADJUST SCREEN

- Using the slots, adjust the screen within the wallpost so that the bottom seal is in contact with the bath rim along the seal length. When adjusted correctly, the bottom seal should have an even light pressure against the bath rim. Too much pressure will result in premature wear of the bottom seal.
(Max. 15mm adjustment in side slots)
- FULLY TIGHTEN ALL THREE SCREWS.

11 FIT SPARE SCREW (if necessary)

- If the screen is 'slipping' within the wallpost adjustment slots:
 - a. Check that all three screws are fully tightened.
 - b. It is possible to fix the spare screw in the TOP adjustment slot for extra grip - using 2.5mm drill bit (not supplied), drill extra hole and fit the spare no.6x13mm flange screw to prevent slippage.

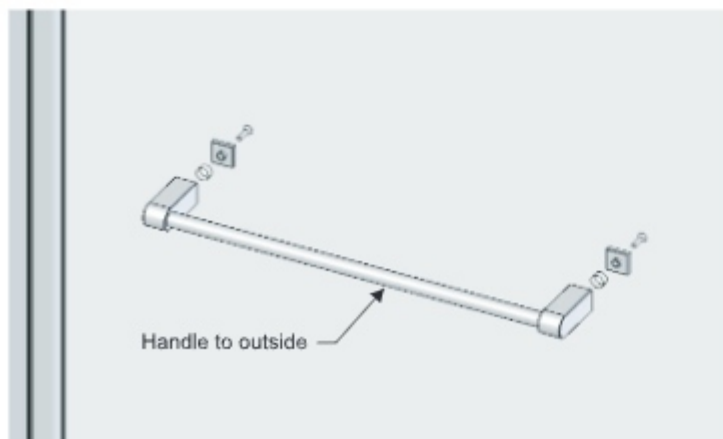
12 FIT COVER CAPS



- Fit wallpost cover cap and secure with no.6 x 10mm csk screw.
- Fit channel cover cap and secure with no.6 x 13mm flange mushroom screw.
- Push-fit slot cover caps over slot covers to top and bottom.

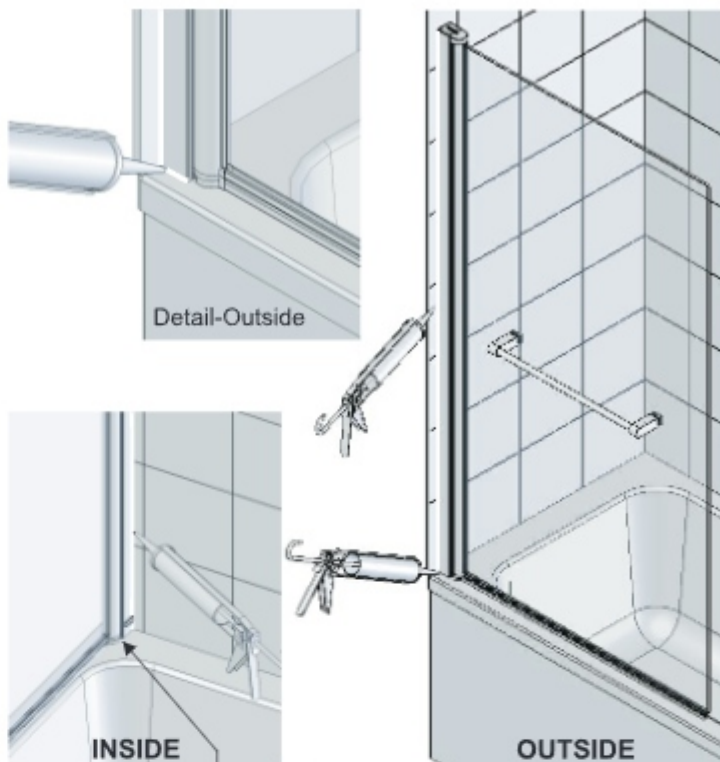
TIP Slot cover caps may be fitted after next stage to make silicone process easier.

13 FIT HANDLE (if applicable)



- Using 3mm allen key supplied, fit handle to glass panel as shown.

14 SILICONE SEAL



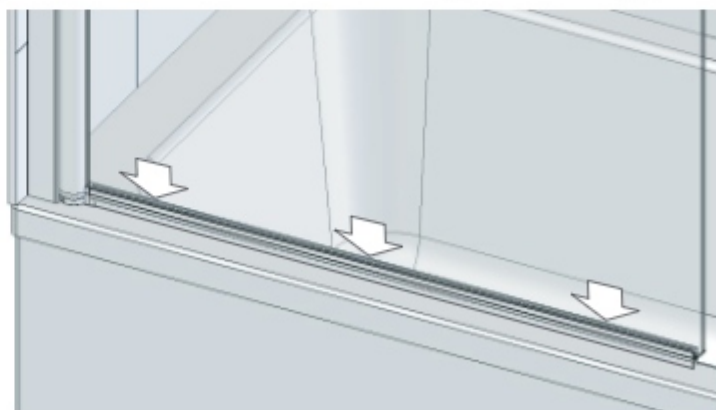
DO NOT SEAL on inside to bottom of wallpost where this meets the bath.

- With screen in 'open' position, silicone seal to wall and bath:

- **OUTSIDE**
Seal wallpost to wall through entire height
Seal bottom of wallpost to bath rim (see detail image)
- **INSIDE**
Seal wallpost to wall through entire height

Leave screen in 'open' position and allow 24hrs for silicone to fully cure before using the bathscreen

ADJUSTING BOTTOM SEAL (if necessary)



- The bottom seal can, if necessary, be pushed down toward the bath rim to reduce any gap.
(Max. 3mm adjustment for bottom seal)

SCREEN IN USE

- When installed correctly, Kudos guarantee the screen will not leak under normal showering use, ie. when the shower head is in it's normal showering position.
NB - Using the shower head to clean/rinse down the screen does not constitute normal showering use.