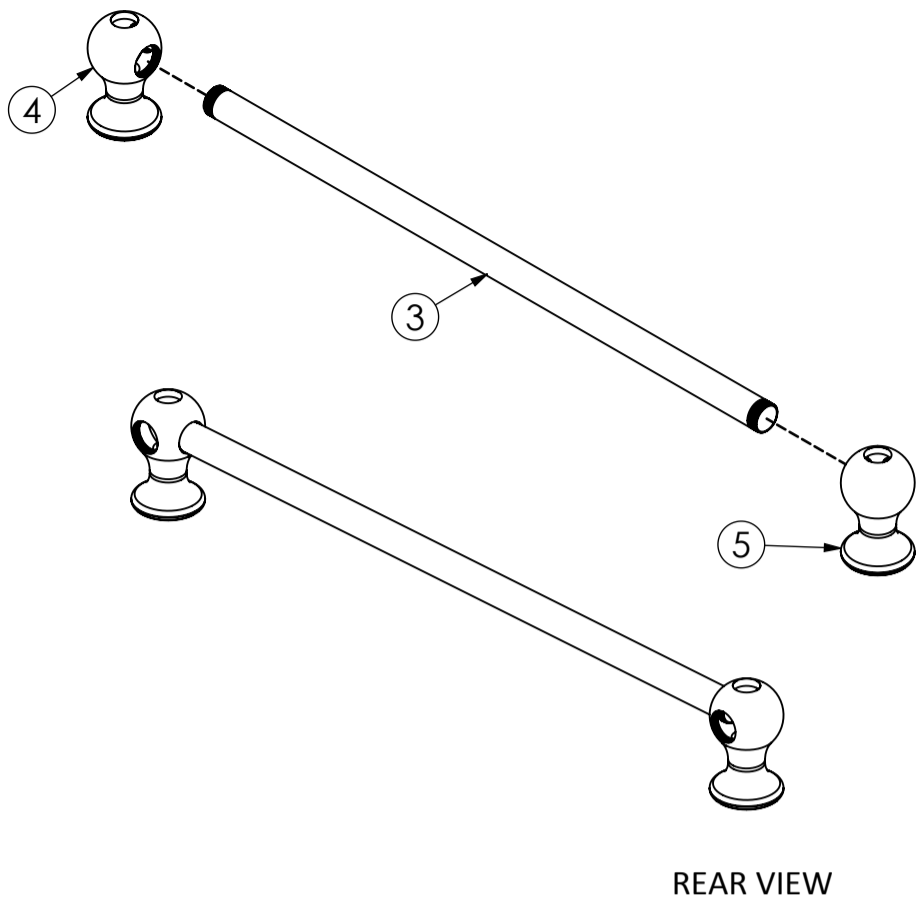


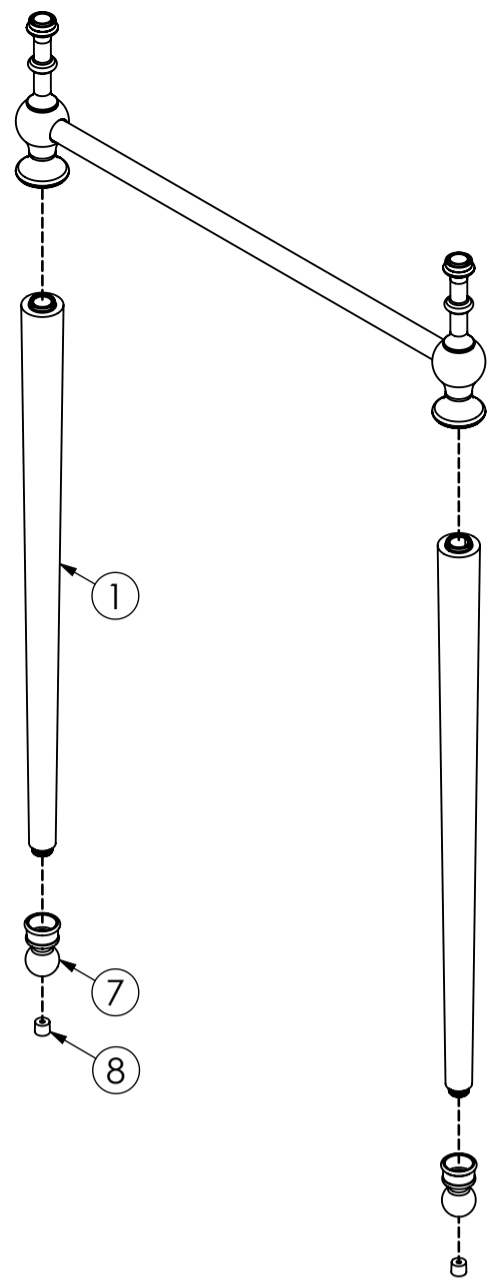
1



CONNECT THE FRONT BAR (3) AND BOTH DECORATIVE CONNECTORS (4 & 5).

SCREW THE DECORATIVE CONNECTORS ALL THE WAY HOME, THEN BACK THEM OFF UNTIL EVERYTHING IS SQUARE AND TRUE READY TO RECEIVE THE LEGS AND SIDE BARS (1 & 2).

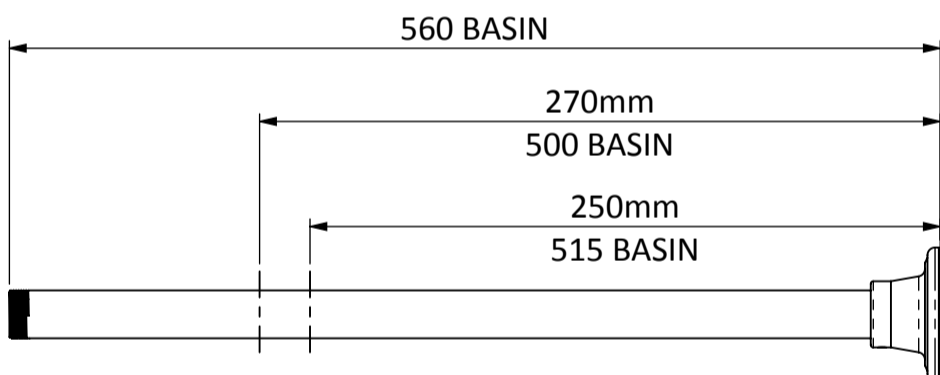
2



NEXT FIT BOTH LEGS, STAND FEET & STAND FEET PADS (1, 7 & 8).

ENSURE THAT ALL ARE FULLY SCREWED HOME.

3

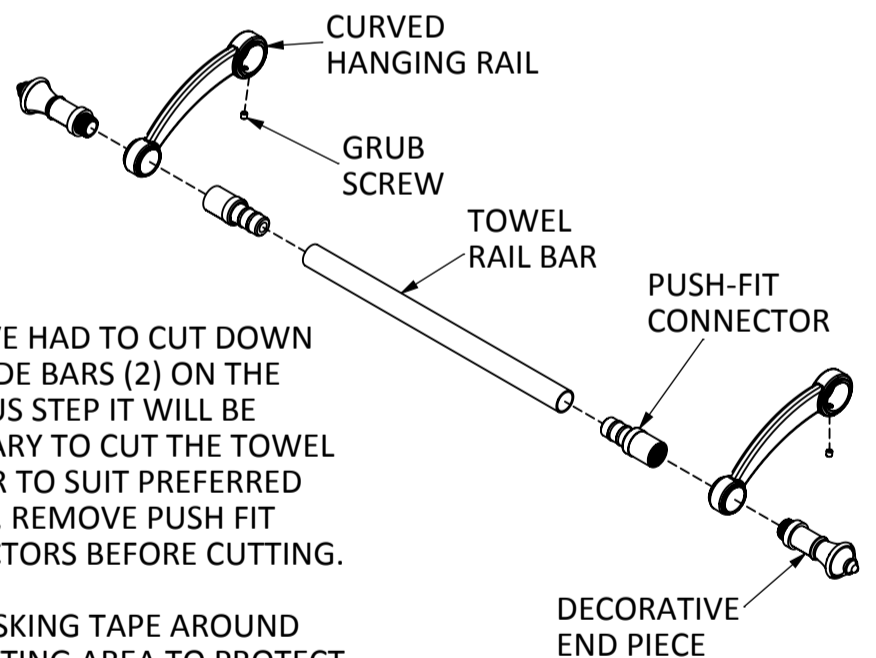


SHOULD YOU HAVE SELECTED EITHER THE 515mm or 500mm BASIN YOU WILL BE REQUIRED TO CUT DOWN THE SIDE BARS (2). PLEASE USE THE ABOVE DIAGRAM TO DETERMINE CORRECT FINISHED LENGTH.

WHEN CUTTING, WRAP MASKING TAPE AROUND THE CUTTING AREA TO PROTECT THE CHROME FINISH.

DO NOT CUT THE END THAT IS THREADED.

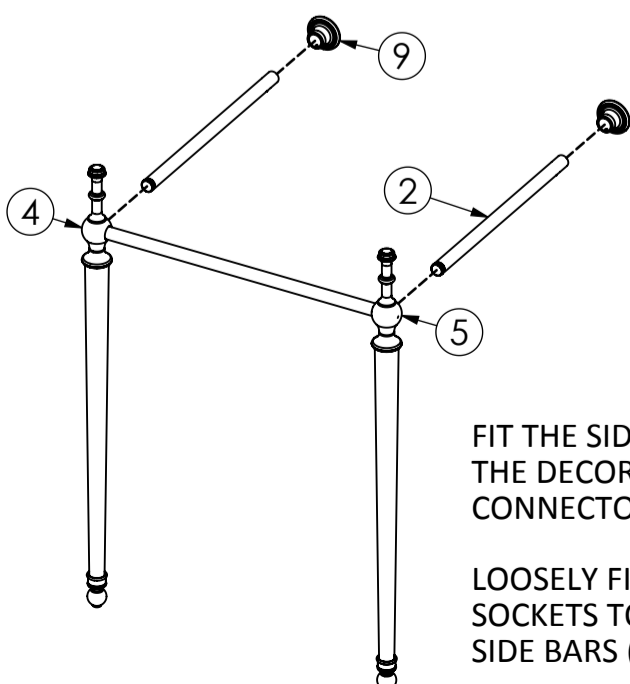
4



IF YOU'VE HAD TO CUT DOWN YOUR SIDE BARS (2) ON THE PREVIOUS STEP IT WILL BE NECESSARY TO CUT THE TOWEL RAIL BAR TO SUIT PREFERRED LENGTH, REMOVE PUSH FIT CONNECTORS BEFORE CUTTING.

USE MASKING TAPE AROUND THE CUTTING AREA TO PROTECT THE CHROME FINISH.

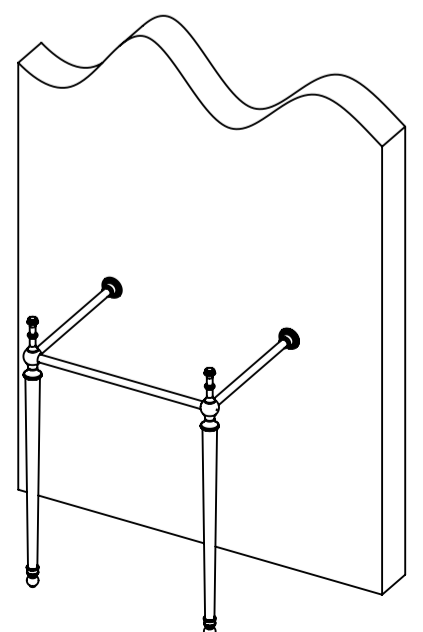
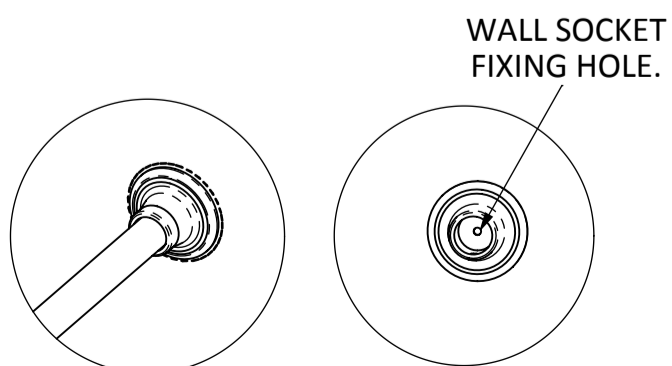
5



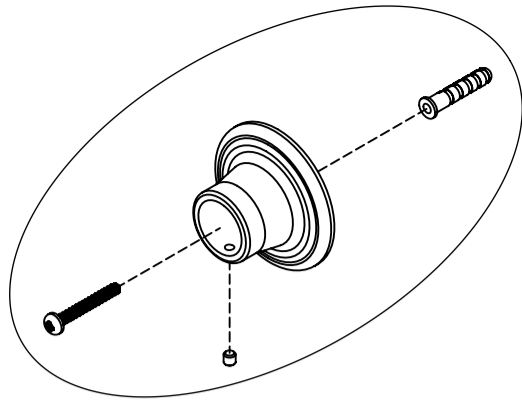
FIT THE SIDE BARS (2) ON TO THE DECORATIVE CONNECTORS LH & RH (4 & 5).

LOOSELY FIT THE WALL SOCKETS TO THE ENDS OF THE SIDE BARS (2).

DRY FIT THE FRAME IN THE DESIRED LOCATION; ENSURE SQUARE AND LEVEL. MARK POSITION OF WALL SOCKETS WITH A PENCIL, REMOVE THE FRAME AND MARK THE POSITION OF THE FIXING HOLES.



6



FIXINGS SUPPLIED MAY NOT BE SUITABLE FOR THE SUBSTRATE YOU'RE FIXING INTO, SO PLEASE USE SUITABLE FIXINGS.

DRILL AND PLUG THE WALL WHERE MARKED.

FIX THE WALL SOCKETS (9) TO THE WALL USING SCREWS PROVIDED (15).

7

THIS STEP WILL REQUIRE TWO PEOPLE.

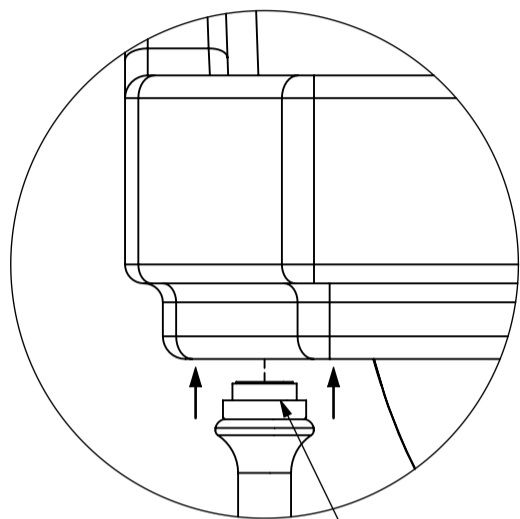
FIT THE FRAME TO THE WALL, ENSURE SQUARE AND LEVEL AND TIGHTEN ALL GRUB SCREWS.

OFFER THE BASIN UP TO THE WALL AND SIT THE BASIN ON THE SUPPORT FOOT ADJUSTER PADS WHILE SUPPORTING THE BASIN AT THE REAR.

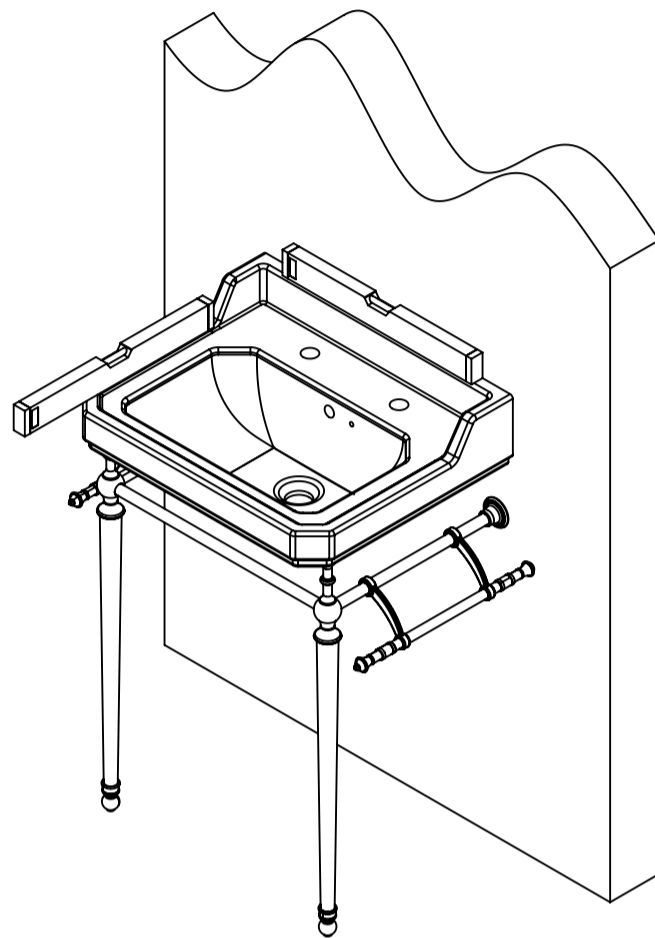
USE A SPIRIT LEVEL TO SQUARE AND LEVEL THE BASIN, MARK POSITION WITH A PENCIL. MARK THROUGH THE BASIN'S FIXING HOLES AT THE REAR AND REMOVE BASIN. DRILL AND PLUG THE WALL USING SUITABLE FIXINGS.

REPLACE THE BASIN, ALIGN WITH THE LEVEL MARKS AND FIX TO THE WALL.

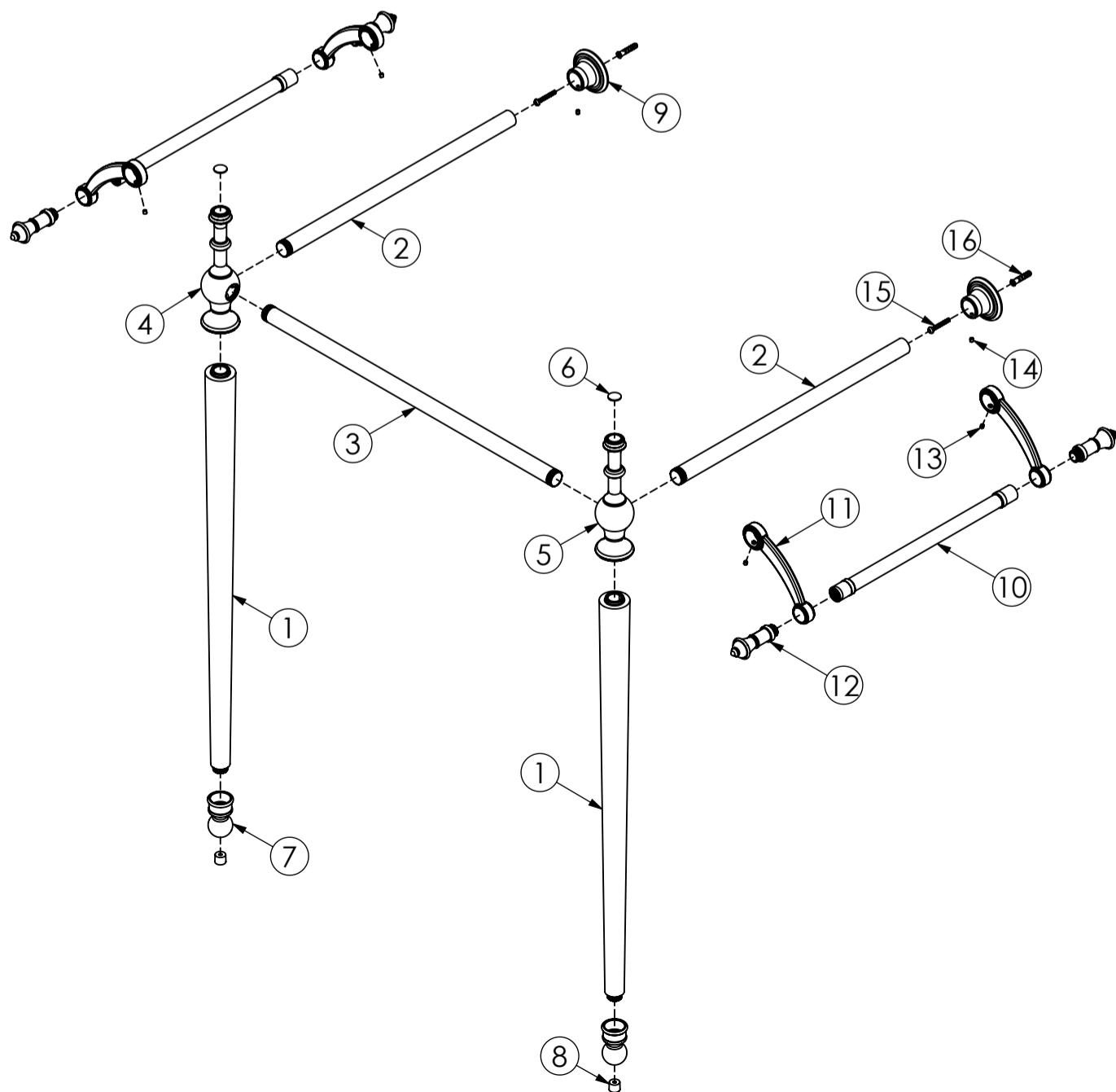
ONCE THE BASIN HAS BEEN FIXED IT MAYBE NECESSARY TO SCREW THE SUPPORT FOOT ADJUSTER UP UNTIL THEY MEET THE BOTTOM OF THE BASIN.



SUPPORT FOOT ADJUSTER.



BASIN STAND INSTRUCTION



UNPACK THE BOX AND ENSURE ALL COMPONENTS ARE PRESENT.

ITEM No.	DESCRIPTION	QTY
1	VERTICAL LEGS	2
2	SIDE BARS	2
3	FRONT BAR	1
4	DECORATIVE CONNECTOR LH	1
5	DECORATIVE CONNECTOR RH	1
6	SUPPORT FOOT ADJUSTER PAD	2
7	VERTICAL LEG FOOT	2
8	VERTICAL LEG FOOT PAD	2
9	WALL SOCKET	2
10	TOWEL RAIL BAR	2
11	CURVED TOWEL RAIL BAR	4
12	TOWEL RAIL DECORATIVE ENDS	4
13	TOWEL RAIL GRUB SCREW	4
14	M5 x 4 GRUB SCREW	2
15	3.9 x 30mm PAN HD SCREW	2
16	WALL PLUGS	2