

# Hinged Door with Two In-Lines (Alcove)

## Instruction Manual

NLHD + NLH



### IMPORTANT INFORMATION

Be aware toughened glass can shatter if not handled correctly. It should not be subjected to any sharp impact and it is essential to protect the glass by resting it on a soft protective surface during installation such as cardboard or carpeting. It is recommended to wear PPE at all times during installation.

**UK  
CA**



#### PRE-INSTALLATION CHECKS

1. Check you have the correct product. Please look at the labels on the side of the product packaging.
2. Check all the product components are in the box and the fixing kits.
3. Unpack your product and handle it with care.
4. Please check the product for defects or damage, once the installation has commenced we cannot accept responsibility for any defects or damage.
5. Please take time to read these instructions prior to installing your product.
6. Before you commence any drilling check there are no hidden electrical cables and/or water pipes.
7. No attempt should be made to re-work the toughened safety glass.
8. The installation of the product should be performed by two persons.
9. It is strongly recommended that the walls the product is going to be installed on are vertical.
10. It is strongly recommended the product is fitted on a tiled surface or similar waterproof surface.
11. It is strongly recommended the walls are tiled and grouted before the product is installed.
12. If the walls and/or the tray are not level you will not achieve maximum adjustment of the product.
13. Pictures used are for illustration purposes only, product designs may alter slightly as a result of continuing product development.
14. We do not stipulate where the European Standard Kite Mark should be positioned on the glass when being factory assembled.
15. Please note that some natural misting may occur when you remove this product from its packaging, due to the addition of the glass protection pre-coating. If this does occur this can easily be removed with a soft, dry cloth.

#### Equipment Check List: Not Supplied

| Description              |
|--------------------------|
| Electric / battery drill |
| Screwdrivers             |
| Sealant gun              |
| Bathroom sealant         |
| Spirit level             |
| 6mm masonry drill bit    |
| Tape measure             |
| Pencil                   |
| Stanley knife / snips    |
| Torque Wrench            |

#### Fixing Kit Components

#### Quantity

| Description        | NLHD | NLH |
|--------------------|------|-----|
| 2.5mm drill bit    | -    | 1   |
| 3mm allen key      | 1    | -   |
| 4mm allen key      | 1    | -   |
| Wall plugs         | -    | 6   |
| 40mm screws        | -    | 6   |
| 9mm screws         | -    | 10  |
| Top caps           | -    | 2   |
| Door setting block | 2    | -   |
| Branding badge     | 1    | -   |

#### Component Check List: Supplied

| Description                             | Quantity  |
|-----------------------------------------|-----------|
| Wall Profiles                           | 2         |
| Door Glass                              | 1         |
| Door Hinges                             | 2         |
| Hinged In-Line Panel Assembly           | 1         |
| Plain In-Line panel Assembly            | 1         |
| Screw Covers with Adhesive Tape         | 2         |
| Bottom Strip Joiner Mouldings (LH & RH) | 1 of each |
| In-Line Dam Mouldings (LH & RH)         | 1 of each |
| Handle Assembly                         | 1         |
| Bracing Assembly                        | 2         |
| Bottom Strip                            | 1         |
| Bottom Seal                             | 1         |

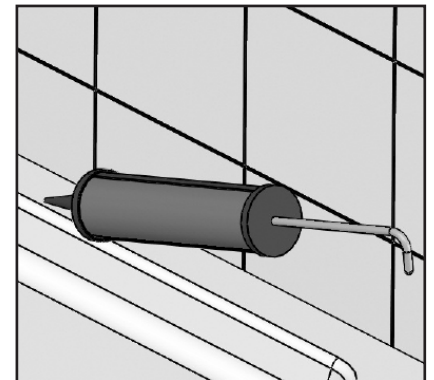
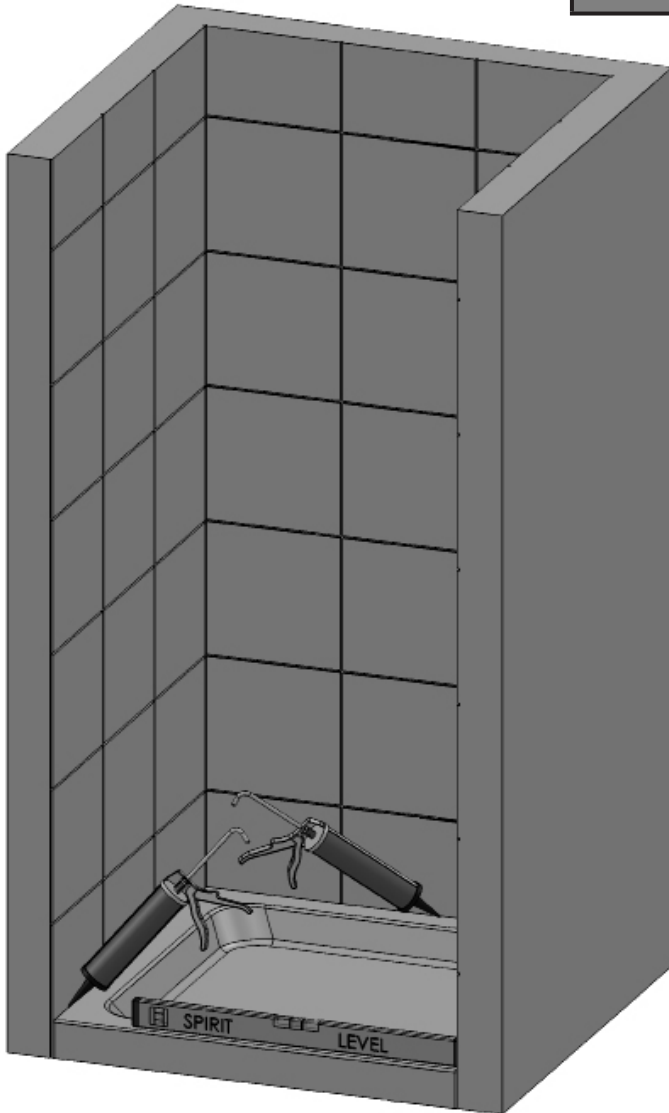
### CONSUMER GUARANTEE

Please make sure the purchaser/end user completes and returns the guarantee card which is enclosed with this product. Failure to validate the guarantee will mean only the 1 year statutory guarantee will apply.

## Step 1 - Pre-Installation Checks and Aperture Sizes

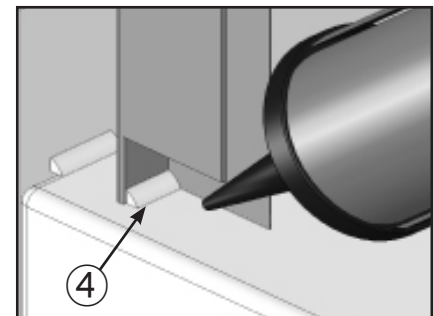
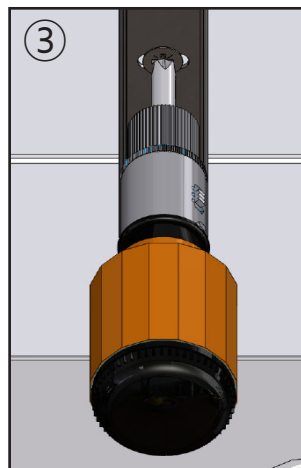
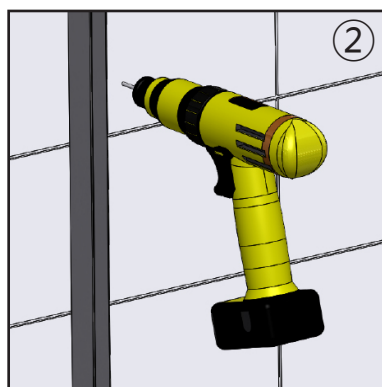
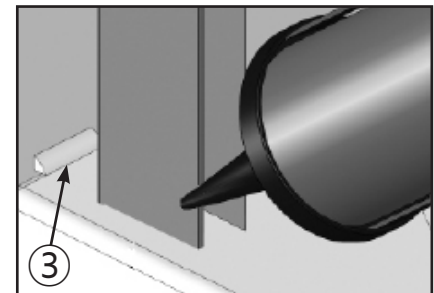
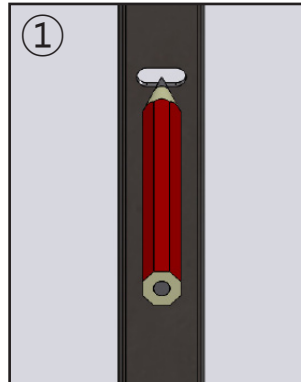
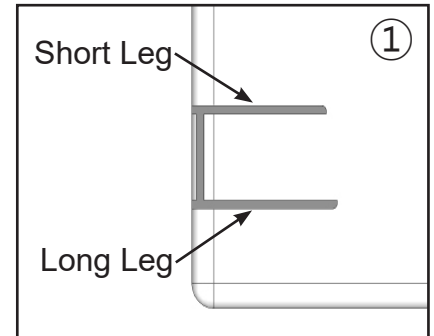
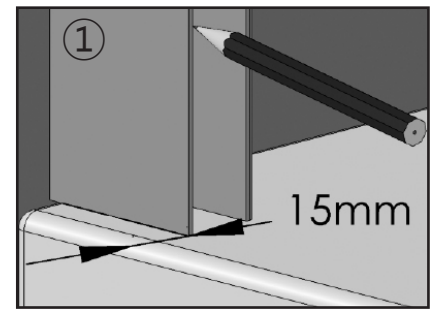
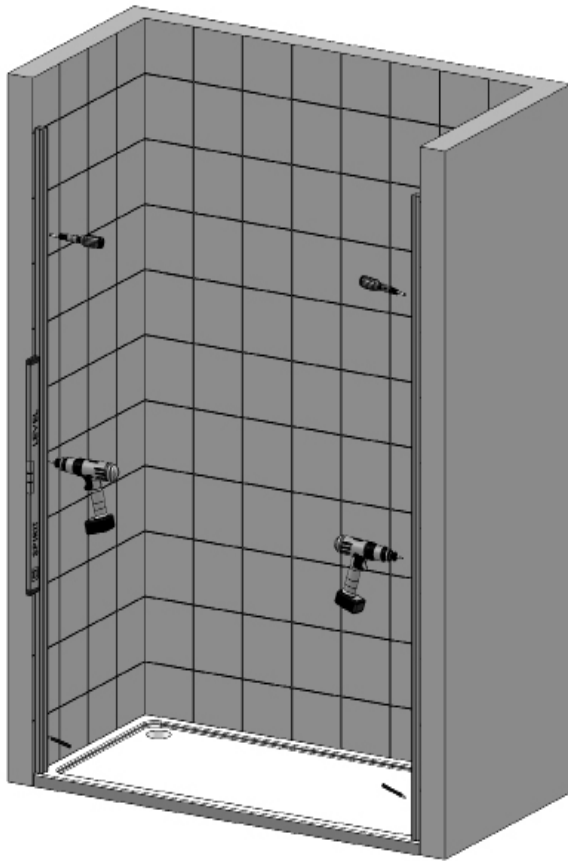
| Enclosure Code | Alcove Size (Minimum) | Alcove Size (Maximum) |
|----------------|-----------------------|-----------------------|
| NLHD + NLH12   | 1150                  | 1190                  |
| NLHD + NLH14   | 1350                  | 1390                  |
| NLHD + NLH16   | 1550                  | 1590                  |

**IMPORTANT:** The above are finished tiled sizes



1. Check the tray is level on all sides (the bubble on the spirit level must be in the centre of the 2 lines).
  2. Stand in the tray and check that there is no adverse movement (correct if necessary).
  3. The walls should be tiled and grouted up to the tray.
  4. The tiles and the tray should be sealed using a good quality bathroom sealant.
- **Spray the seal and joints with the shower head and check for leaks when the silicon has cured.**
  - **Check the plumbing for leaks.**
  - **DO NOT plasterboard over the tray.**
  - **DO NOT grout the tiles when the enclosure has been fitted, the grout may discolour the aluminium profiles.**
  - **Make sure the tray is installed as per the manufacturer's instructions.**
  - **When all of the above has been completed please proceed to step 2.**

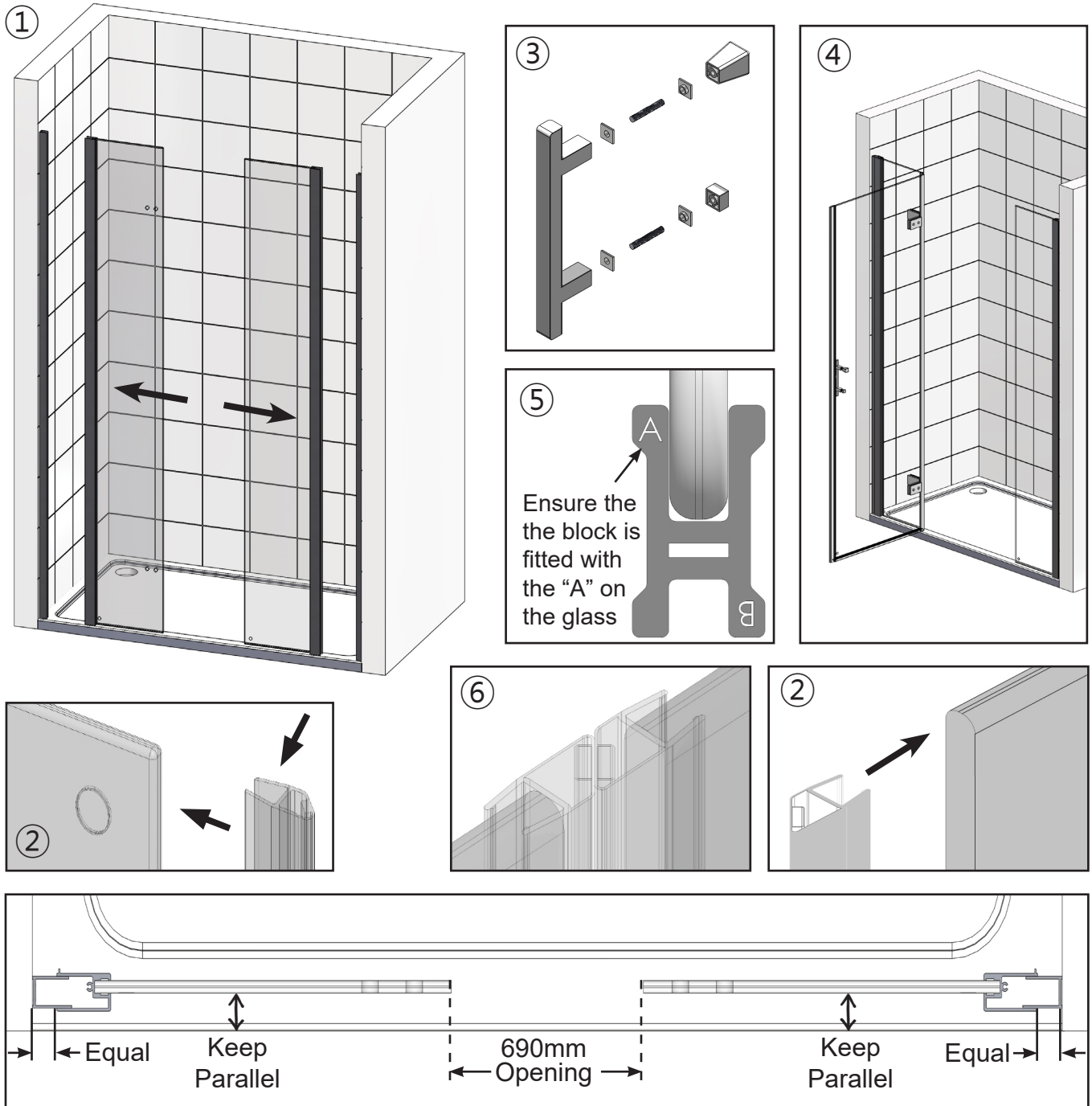
## Step 2 - Fitting the Wall Profiles



1. Decide which side of the alcove the door is to be hinged from. Place a wall profile 15mm in from the outside of the tray. The longer leg of the wall profile must be on the outside of the enclosure, towards the front of the tray. Ensure the wall profile is completely vertical using a spirit level and mark the wall through the slots with a pencil.
2. Drill the wall with a 6mm masonry drill bit (not supplied) where the wall profile is to be positioned. Fit the wall plugs supplied (if going in to a brick or block wall). If going into a plasterboard wall you will need to purchase appropriate wall fixings. Wipe clear all debris from the tray before referring to the next stage.
3. Where the wall profile is to be positioned on the tray, place a bead of bathroom sealant (not supplied) the width of the wall profile along the tiled wall. Screw the wall profile to the wall with 40mm screws (supplied). Do not over tighten the screws into the wall profiles as this will misshape the wall profile. Ensure the wall profile stays completely vertical throughout this procedure using a spirit level.
  - **Failure to carry out this procedure correctly can result in serious water damage and is not covered by the guarantee.**
  - **No sealant to be present between the wall profiles and the tiled walls vertically prior to screw fixing.**
4. Seal the gap on the inside between the tray and wall profile with a bathroom sealant (not supplied).
  - **Failure to carry out this procedure correctly can result in serious water damage and is not covered by the guarantee.**
5. Repeat these steps for the wall profile on the opposite wall.

## Step 3 - Fitting the Panels & Hanging the Door

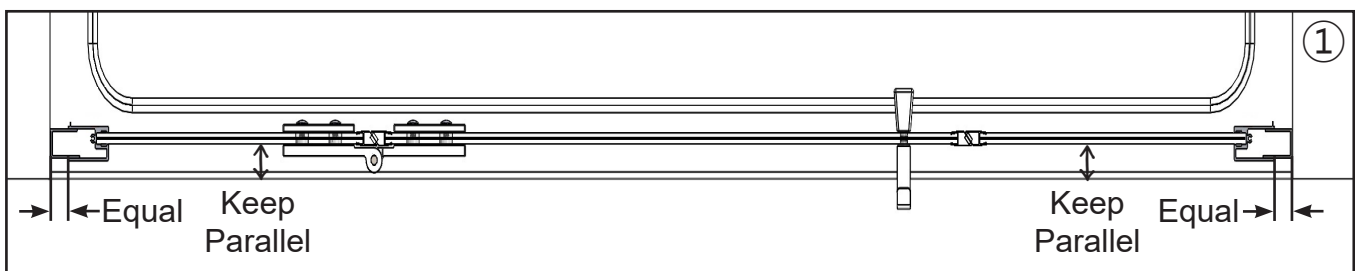
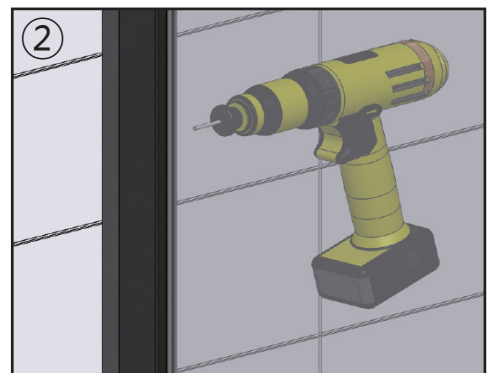
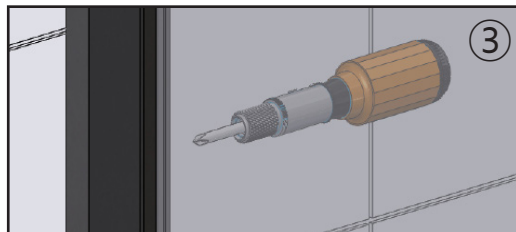
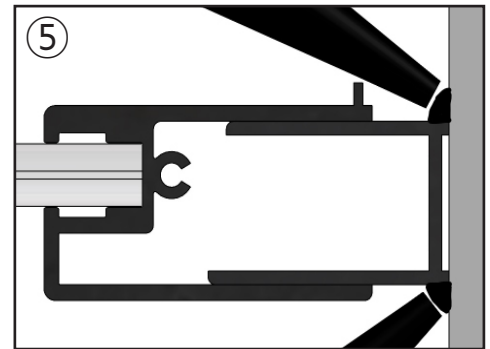
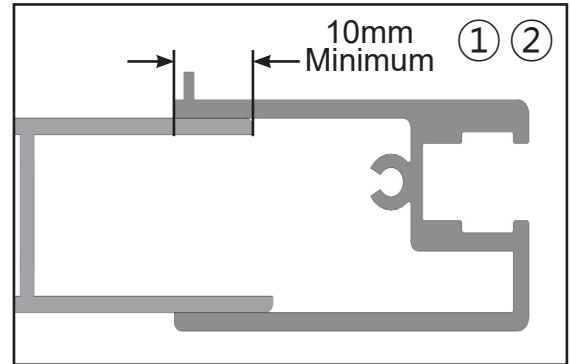
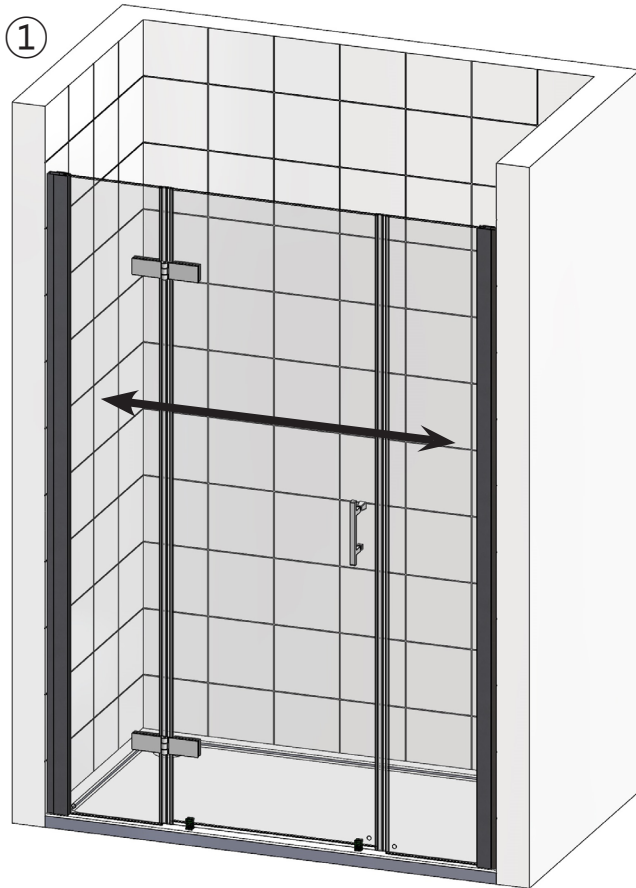
NOTE: 2 people will be required to carry out these operations. Some parts are hidden for clarity.



1. Lift the panel assembly over the desired wall profile and carefully push it until it is fully home. Keep the glass parallel to the edge of the tray.
2. Push one of the angled magnets onto the edge of both the panel glass.
  - **Note: on the hinge panel, ensure the magnets angled face faces the inside of the tray, while on the plain panel the angled face faces the outside of the tray.**
3. Dismantle the handle assembly and re-assemble onto the door glass. Make sure the plastic gaskets are fitted between the handle and the glass. Ensure the set screws are on the inside of the enclosure.
4. Fit the hinges to the in-line panel, then open them to 90 degrees. Remove the back plates for the door side, leaving a rectangular and both circular gaskets on the hinge. Offer the door onto the hinges and fasten the hinges to the door without fully tightening.
5. Close the door and place the setting blocks onto the bottom of the glass, ensuring the end marked "A" is on the glass.
  - **IMPORTANT: Tighten the Hinges to 10N/m using a torque wrench.**
6. With the door being held open slightly, push the angled magnets on, please ensure the door is adequately supported during this.
7. Close the door and with the magnets fully attracted, keep the door and panel parallel to the tray edge.

## Step 4 - Fixing the In-line Panels

NOTE: 2 people will be required to carry out these operations. Some parts are hidden for clarity.

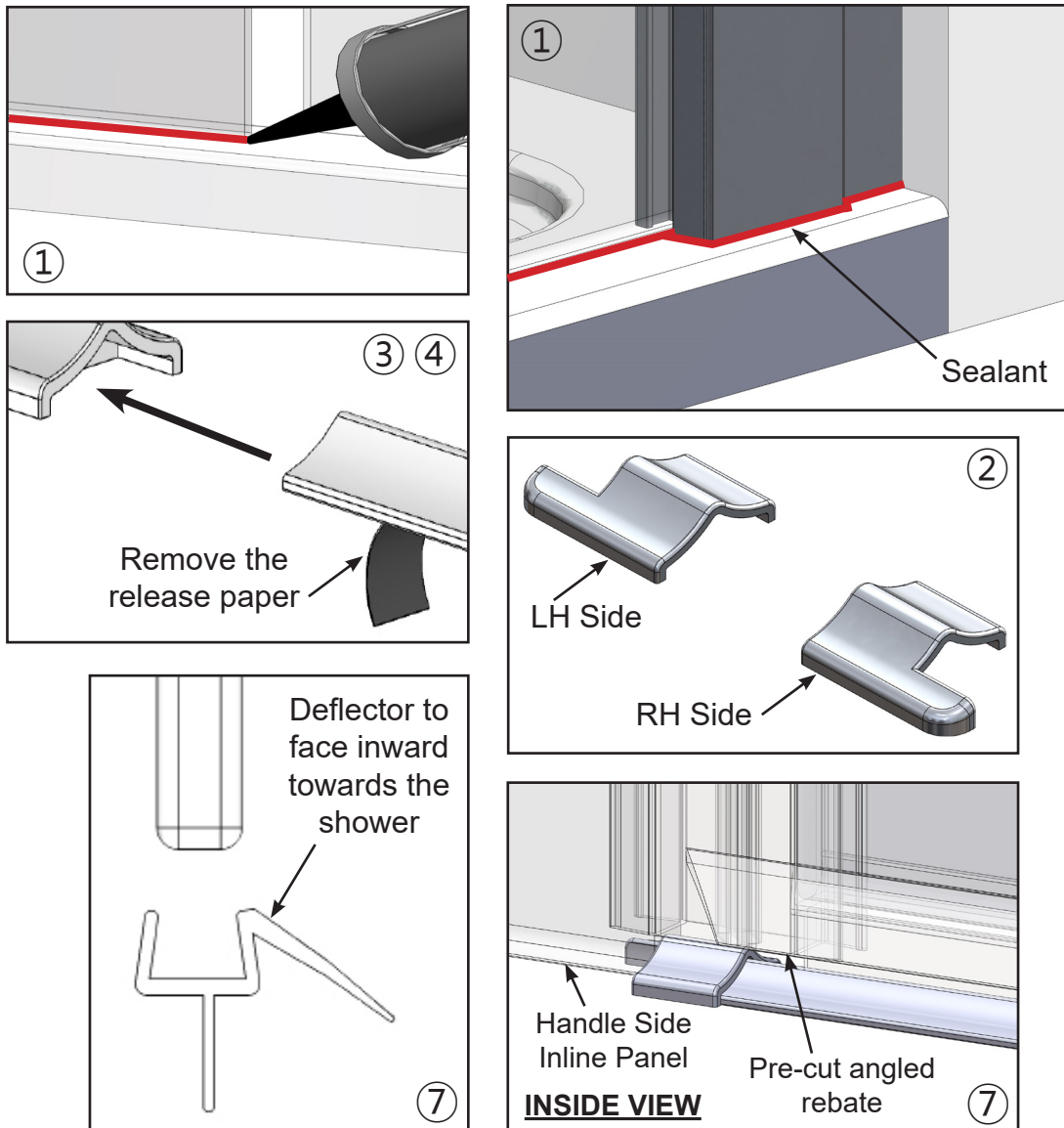


1. Centralise the door and panel between the wall profiles, there must be a minimum of 10mm for fixing.
  - **Make sure the magnets locate onto each other from top to bottom.**
2. On the inside of the enclosure on the hinged in-line panel side first, with the 2.5mm drill bit (supplied), drill a hole into the vertical frame and wall profile approximately 100mm from the top and bottom and one in the centre. Drill 2 holes between these (5 holes in total).
  - **Ensure the door is completely vertical (the bubble on the spirit level must be in the centre of the 2 lines).**
3. Fasten the panel vertical aluminium to the wall profiles using the 9mm screws (supplied).
4. Repeat steps 2 & 3 on the plain in-line panel.
5. Seal the wall profiles vertically top to bottom, both internally and externally where they meet the tiles.
 

**IMPORTANT: Failure to carry out stage 4 may result in serious water damage and is not covered under the terms of the guarantee.**

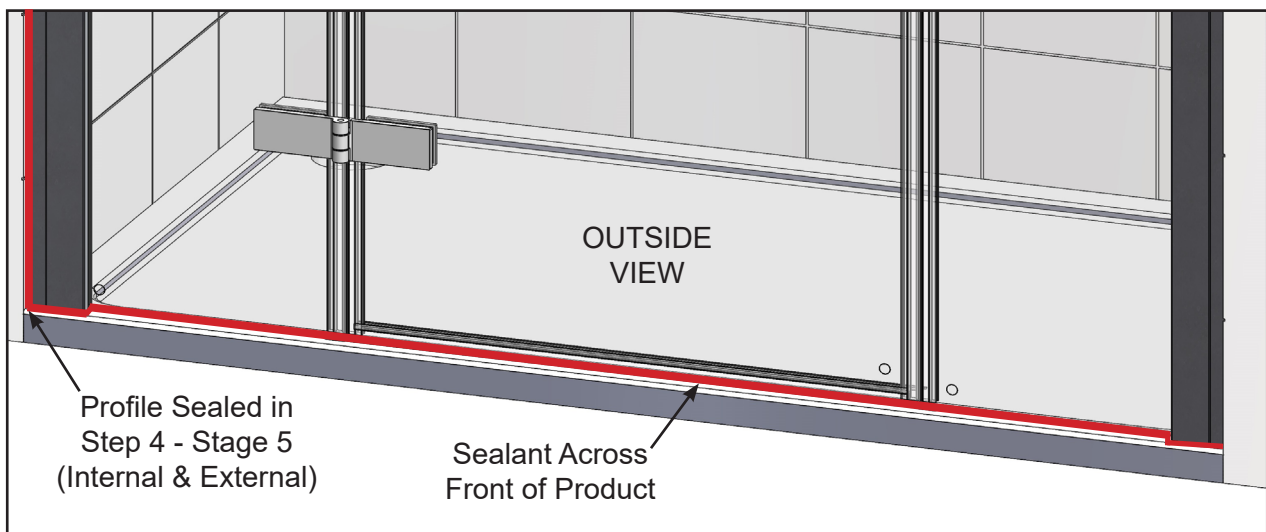
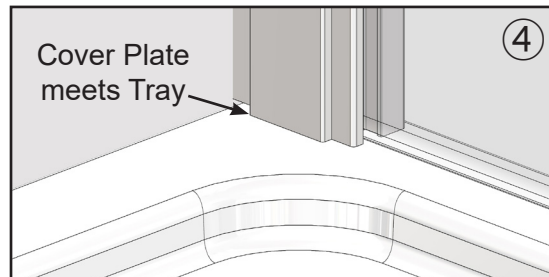
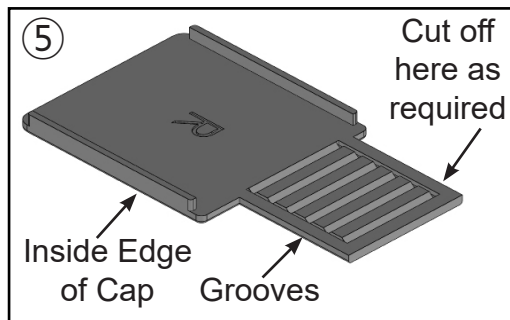
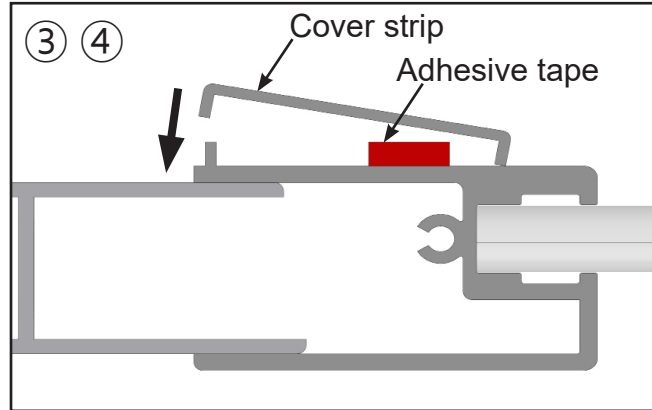
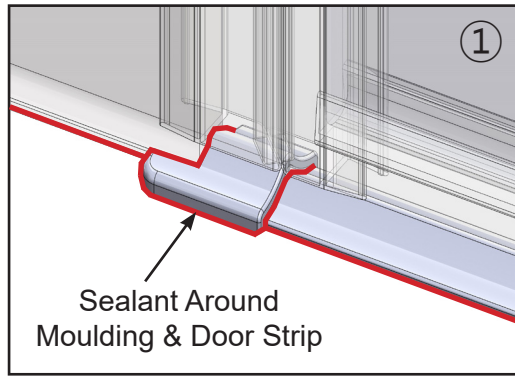
  - **Allow 24 hours for the sealant to fully cure prior to using the shower.**
6. Remove the setting block from the bottom of the door.

## Step 5 - Fitting the Bottom Rail & Sealing



1. Seal the outside of the wall profile, vertical frame & panel glass to the tray top as shown (seal the panel glass all the way along to the glass edge).
  - **Carry out on both in-line panels.**
2. Take the correct handing bottom rail joint and position it against the panel glass (on one side for now).
  - **The bottom rail joint should wrap around the panel glass with the leg at the front of the product.**
  - **IMPORTANT: The bottom rail joints must be fitted before the pre-applied sealant starts to cure.**
3. Remove the release paper from the back of the adhesive tape (which is on the underside of the bottom strip) and place the strip inside the pre fitted bottom rail joint moulding.
  - **The bottom rail joint may need lifting slightly to allow positioning of the bottom strip.**
4. Press the strip down onto the top of the tray ensuring that it is kept parallel to the outside edge of the tray, once secure fit the opposite side bottom rail joint moulding.
  - **Make sure the top of the tray is clean and free from any contaminants before applying the strip.**
5. Push the panel magnet down so it sits onto the base of the bottom rail joint moulding.
6. Make sure the door magnet is positioned so it just clears the bottom strip joint when the door is opened. The magnet may need to be removed and repositioned to achieve this.
7. Fit the bottom seal onto the bottom of the glass making sure it fits between the two sets of magnet (trim to length if required). Ensure that the deflector is facing inward towards the shower with the angled rebate on the handle side of the door glass.
  - **Make sure the magnets locate onto each other down the full length of the door.**
  - **If the seal drags over the bottom rail, the door may need raising, loosen the hinge screws, lift the door and re-tighten screws (two people required)**

## Step 6 - Sealing Continued & Fitting Cover Plates/Caps



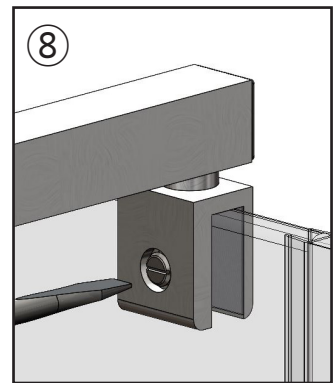
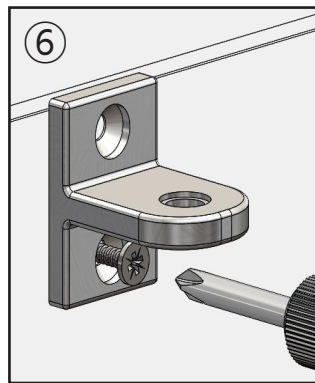
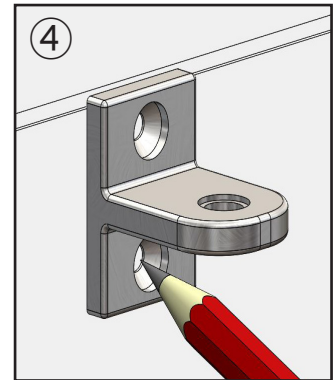
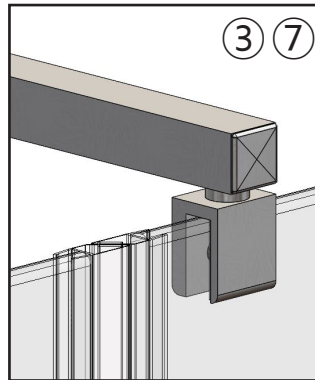
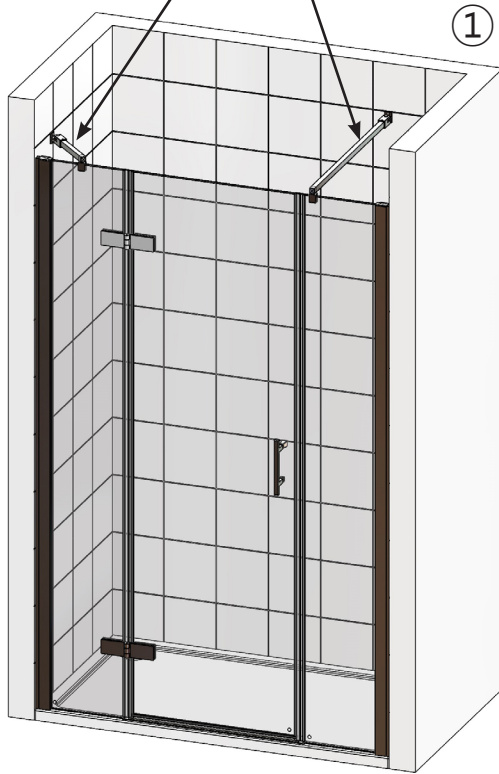
1. Continue to seal the base of the enclosure to the top of the tray from wall to wall on the outside only making sure that you seal around the bottom rail joints and strip as shown above.
  - **IMPORTANT: Failure to carry out stage 1 may result in serious water damage and is not covered under the terms of the guarantee.**
  - **DO NOT seal the base of the product to the inside, failure to comply may result in the product leaking.**
  - **Allow 24 hours for the sealant to fully cure prior to using the shower.**
2. Ensure the centre magnets locate fully from top to bottom when the door is closed. They can be knocked towards each other using a wooden batton.
3. Remove the release paper from the adhesive tape pre-fitted to the vertical panel frames.
4. Place one side of the cover strip over the leg on the vertical frame and press firmly to stick the cover strip to the frame.
  - **Both cover strips should sit on top of the tray.**
5. The top caps have grooves and can be shortened by cutting along these grooves using scissors or snips depending on the adjustment the profile have been fitted on.
  - **Adding a small amount of sealant will help keep the caps in place**
6. Place the Branding Badge in a prominent position on a none moving part of aluminium.

## Step 7 - Bracing

NOTE: For the larger in-line panels such as 1400mm & 1600mm, back to wall bracing on the door closing inline panel may be recommended in order to provide additional panel stability and minimise panel movement when operating the door. By fitting the bracing close to the door will greater increase panel stability.

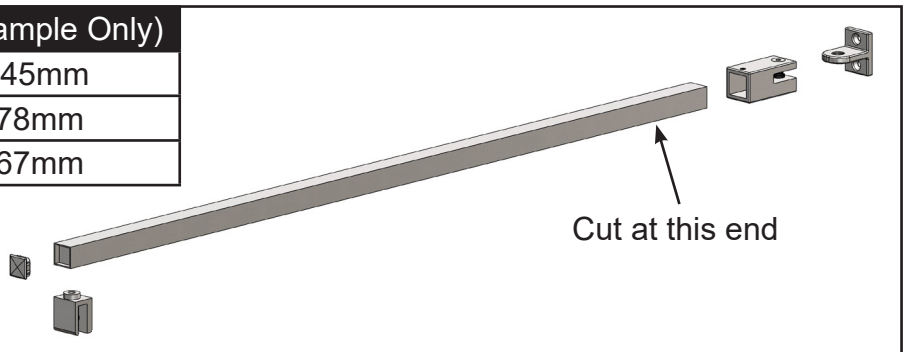
### BRACING OPTIONS:

- 1) 45 Degree Bracing      2) Back to Wall Bracing



### Back to Wall Brace Bar (\*Example Only)

|                          |        |
|--------------------------|--------|
| Bar supplied length      | 1045mm |
| Wall to outside of glass | *878mm |
| Reduce brace bar by      | *167mm |

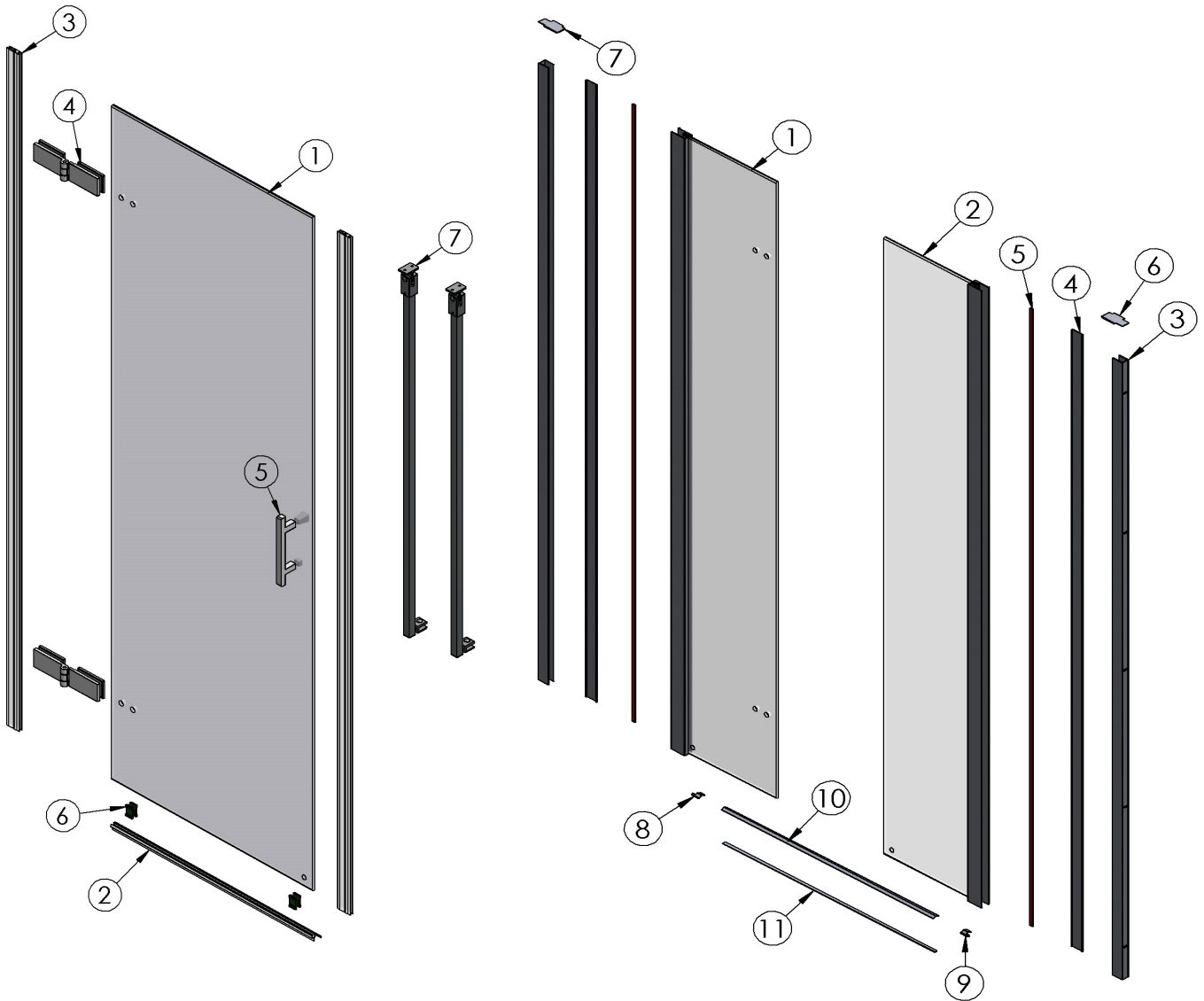


1. Decide which wall you will be fixing to and measure the distance from the wall to the outside face of the in-line panel glass at the point the glass bracket will be positioned.
  - **If the brace is being fitted at 45 degree, cut down bar to achieved desired brace position at 45 degree and follow the same below steps but on the side walls rather than back wall.**
2. Cut down the bracing bar by the desired amount (see example for a back to wall brace above).
  - **Use a hacksaw or similar to shorten the brace bar. It is important that it is shortened at the wall bracket end - be sure to remove all burrs and sharp edges.**
3. Place the bracing assembly over the glass and up to the wall. Use a spirit level to keep it level.
4. With a pencil mark the wall through the screw holes in the wall bracket.
5. Remove the bracing and drill the holes using a 6mm masonry drill (not supplied) and fit the wall plugs.
6. Remove the wall bracket from the brace assembly and secure the wall bracket to the back wall.
7. Fit the brace assembly back onto the panel glass and secure to the wall bracket.
8. Place the plastic spacers between the glass and glass bracket and tighten the slotted screw.
9. Tighten all screws and push fit the screw cover caps.
  - **There is 10mm of adjustment in the brace bar assembly to allow for correct adjustment.**
  - **The brace bar must be level, use a spirit level and ensure the bubble is in the middle of the two lines.**
10. Repeat the above process again with the second brace bar assembly.



## Spare Parts

**If you need to replace any damaged parts please see illustration below for parts list then call Customer Relations on 01325 328033**



| NLHD (Door BOM) |                         |     | NLH (Panel BOM) |                         |     |
|-----------------|-------------------------|-----|-----------------|-------------------------|-----|
| Part No.        | Description             | Qty | Part No.        | Description             | Qty |
| 1               | Door Glass              | 1   | 1               | Hinged Panel Assembly   | 1   |
| 2               | Bottom Deflector Seal   | 1   | 2               | Plain Panel Assembly    | 1   |
| 3               | Vertical Magnet Pairing | 2   | 3               | Wall Profile            | 2   |
| 4               | Door Hinges             | 2   | 4               | Cover Plate             | 2   |
| 5               | Door Handle Assembly    | 1   | 5               | Cover Plate Tape        | 2   |
| 6               | Door Setting Block      | 2   | 6               | Top Cap (RH)            | 1   |
| 7               | Bracing Bar             | 2   | 7               | Top Cap (LH)            | 1   |
|                 |                         |     | 8               | Dam Joint Moulding (LH) | 1   |
|                 |                         |     | 9               | Dam Joint Moulding (RH) | 1   |
|                 |                         |     | 10              | Bottom Strip Aluminium  | 1   |
|                 |                         |     | 11              | Bottom Strip Tape       | 1   |

## TROUBLE SHOOTING GUIDE

| Problem                                | Solution                                                                                                                                                                                                                                                                                                                                                                                                                                                                                                                                                                                                                                                                                                                                                                                                                                  |
|----------------------------------------|-------------------------------------------------------------------------------------------------------------------------------------------------------------------------------------------------------------------------------------------------------------------------------------------------------------------------------------------------------------------------------------------------------------------------------------------------------------------------------------------------------------------------------------------------------------------------------------------------------------------------------------------------------------------------------------------------------------------------------------------------------------------------------------------------------------------------------------------|
| <b>Leaking</b>                         | <ol style="list-style-type: none"><li>1. Check that the inside gap between the tray and wall profiles has been sealed correctly.</li><li>2. Ensure the tray is sealed along the tiled walls prior to installation.</li><li>3. If the inside joint between the enclosure and the tray top is sealed, this will cause leakage - sealant must be removed.</li><li>4. Ensure the wall profiles on the tiled walls are sealed both vertically inside and outside.</li><li>5. Ensure the joint between the enclosure and tray top is sealed.</li><li>6. The deflector on the bottom seals is semi rigid and can be carefully altered to offer more deflection of the water.</li><li>7. Check the magnets are locating and there are no gaps.</li></ol> <p><b>Important: This enclosure should be water tested conforming to BS EN 14428</b></p> |
| <b>Enclosure alignment on the Tray</b> | <ol style="list-style-type: none"><li>1. Is the enclosure fitted onto a tiled wall?</li><li>2. Are the wall profiles fitted 15mm from the outside edge of the tray?</li><li>3. Are the wall profiles completely vertical?</li></ol>                                                                                                                                                                                                                                                                                                                                                                                                                                                                                                                                                                                                       |
| <b>Door not operating correctly</b>    | <ol style="list-style-type: none"><li>1. Ensure both wall profiles are completely vertical.</li><li>2. Ensure the tray is completely level.</li></ol>                                                                                                                                                                                                                                                                                                                                                                                                                                                                                                                                                                                                                                                                                     |
| <b>Door/panel alignment</b>            | <ol style="list-style-type: none"><li>1. Ensure both wall profiles are completely vertical.</li><li>2. Ensure the tray is completely level.</li><li>3. Check the wall profiles are 15mm from the tray edge.</li><li>4. Check the glass is completely vertical.</li></ol>                                                                                                                                                                                                                                                                                                                                                                                                                                                                                                                                                                  |

### Some important information to help you maintain your product:

The following information is all you need to keep your product looking new.

Clean your product using a mild detergent diluted in water and then polished off using a soft cloth.

If you live in a hard water area, periodically clean your product using a 50/50 solution of white vinegar and water. The solution should be left on the enclosure for approximately 5 minutes then rinsed off using warm water. This method of cleaning should remove lime scale residue.

### Simple maintenance:

Our products are generally maintenance free, however it may be necessary to lubricate wheel assemblies and other moving parts from time to time.

It is strongly recommended that a quality silicone spray is used.

### A list of don't's:

1. Don't use acidic based products which are unsuitable for cleaning enamel surfaces.
2. Don't use abrasive cleaners or cleaners using bleach or solvents, these products will adversely affect the finish of the aluminium profiles.
3. Don't use scouring pads, powder or any sharp instruments when cleaning the enclosure.

Should you experience any problems during installation please refer to the trouble shooting guide or contact customer relations on:

**+44 (0) 1325 328033**

To enable customer relations to provide you with an excellent level of service it is important that you quote your product code and reference number - these can be found on the guarantee card.