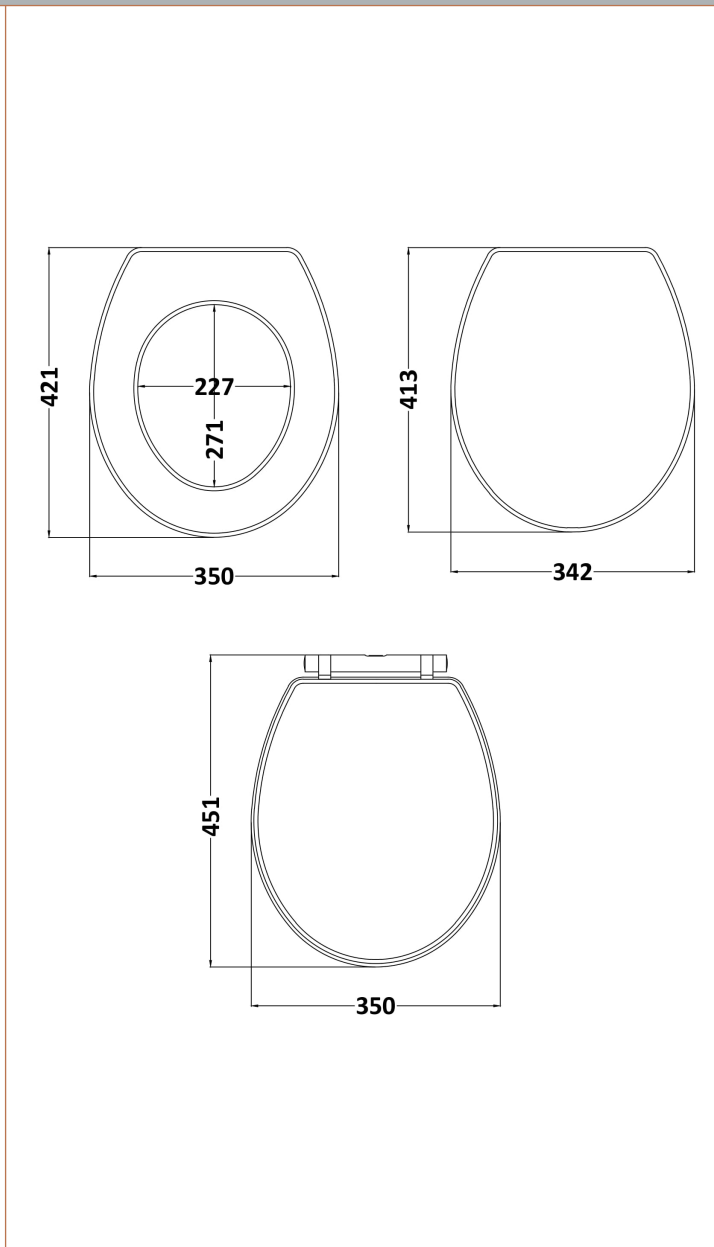


**Sales Code:** NLS199

**Description:** Traditional Toilet Seat (Richmond)



**Product Dimensions**

|                   |     |
|-------------------|-----|
| Length (mm):      | 451 |
| Width (mm):       | 350 |
| Height (mm):      | 60  |
| Nett Weight (kg): | 3.2 |

**Packaging Dimensions**

|                    |     |
|--------------------|-----|
| Length (mm):       | 475 |
| Width (mm):        | 395 |
| Height (mm):       | 70  |
| Gross Weight (kg): | 3.4 |

**Packaging Data**

|               |                     |
|---------------|---------------------|
| Box Colour:   | Brown Cardboard Box |
| Box Qty:      | 1                   |
| Label Size:   | 100 x 50            |
| Label Colour: | White Label         |
| Label Qty:    | 2                   |

**Outer Box Dimensions (If Applicable)**

|                    |               |
|--------------------|---------------|
| Length (mm):       | 65            |
| Width (mm):        | 375           |
| Height (mm):       | 375           |
| Gross Weight (kg): |               |
| Barcode:           | 5055369056774 |

**Product Details**

|                      |               |
|----------------------|---------------|
| Country of Origin:   | Ireland       |
| Fitting Instruction: | No            |
| CE Certification:    | Yes           |
| Product Material:    | Mdf Vinyl     |
| Seat Type:           | Round         |
| Seat Function:       | Soft Close    |
| Hinge Centres (Min): | 150           |
| Hinge Centres (Max): | 186           |
| Hinge Material:      | Zinc Alloy    |
| Colour/Finish:       | White         |
| Fixing Method:       | Quick Release |