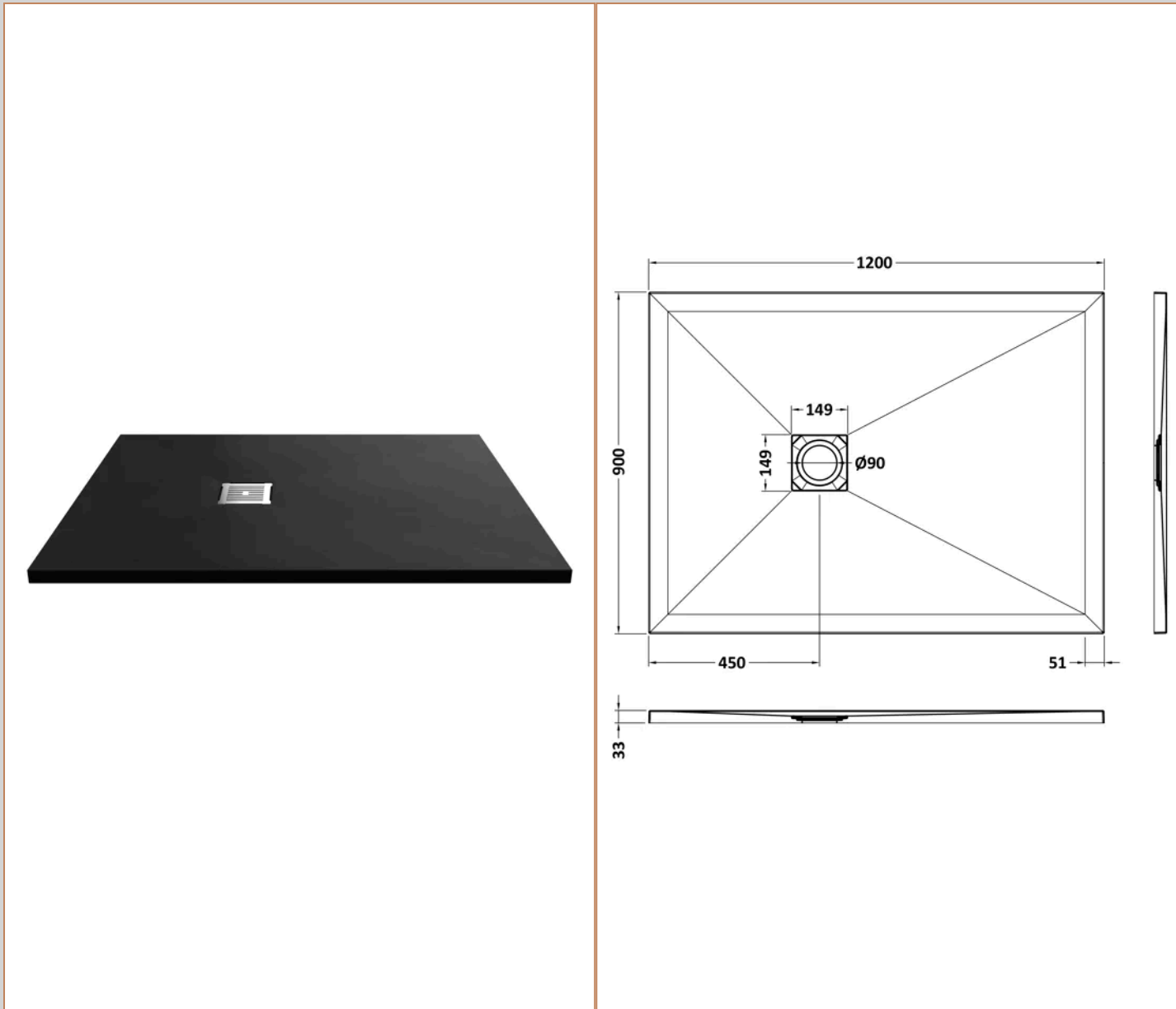


Sales Code: NLT91024

Barcode: 5056462656281

Brand: nuie

Description: 1200 x 900mm Black Slate Rectangular Slimline Shower Tray



Product Dimensions

Product	32 x 900 x 1200mm (H x W x L)
Packaged	73 x 940 x 1240mm (H x W x D)
Nett Weight	47 kg
Packaged Weight	47.3 kg

Product Details

Country of Origin	United Kingdom
Product Material	Acrylic Capped Abs Caco3 And Pu
Colour/Finish	Black Slate
Style	Contemporary
Ce Certified	Yes
Leg Set Included	No
Legs Included	No
Slip Resistant	No
Waste Included	No
Waste Shape	Square
Waste Size Required	90mm