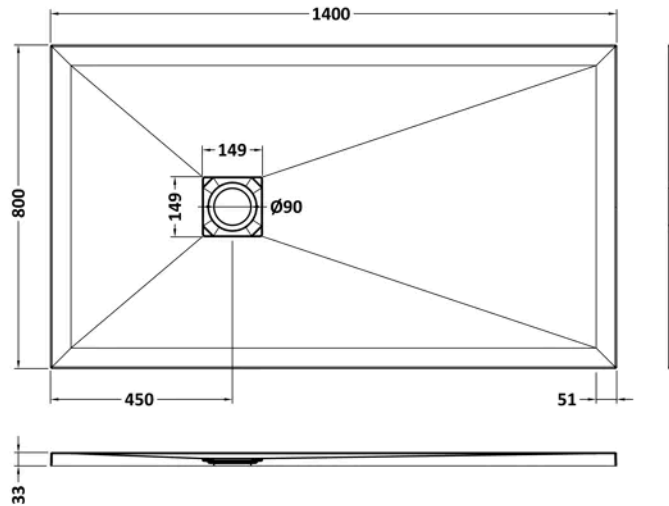


**Sales Code:** NLT91033

**Barcode:** 5056462656311

**Brand:** nuie

**Description:** 1400 x 800mm Black Slate Rectangular Slimline Shower Tray



### Product Dimensions

Product	32 x 800 x 1400mm (H x W x L)
Packaged	73 x 840 x 1440mm (H x W x D)
Nett Weight	49.3 kg
Packaged Weight	49.6 kg

### Product Details

Country of Origin	United Kingdom
Product Material	Acrylic Capped Abs Caco3 And Pu
Colour/Finish	Black Slate
Style	Contemporary
Ce Certified	Yes
Leg Set Included	No
Legs Included	No
Slip Resistant	No
Waste Included	No
Waste Shape	Square
Waste Size Required	90mm