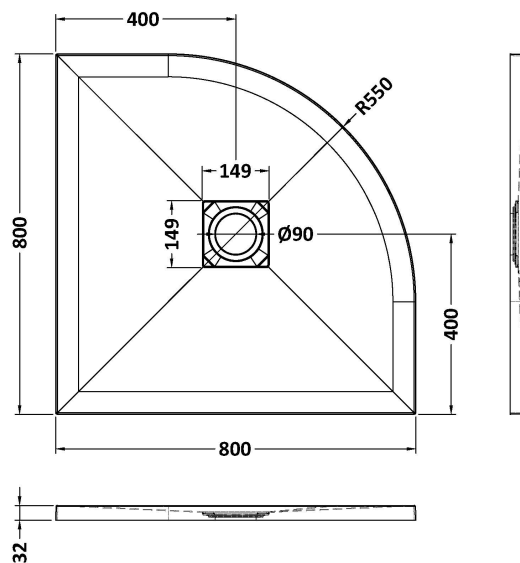


Sales Code: NLT91105

Description: Quadrant Shower Tray 800X800



### Product Dimensions

|                   |       |
|-------------------|-------|
| Length (mm):      | 800   |
| Width (mm):       | 800   |
| Height (mm):      | 33    |
| Nett Weight (kg): | 22.73 |

### Packaging Dimensions

|                    |       |
|--------------------|-------|
| Length (mm):       | 840   |
| Width (mm):        | 840   |
| Height (mm):       | 73    |
| Gross Weight (kg): | 22.73 |

### Packaging Data

|               |                          |
|---------------|--------------------------|
| Box Colour:   | Shrinkwrap & Polystyrene |
| Box Qty:      | 1                        |
| Label Size:   | 100 x 50                 |
| Label Colour: | White Label              |
| Label Qty:    | 2                        |

### Outer Box Dimensions (If Applicable)

|                    |               |
|--------------------|---------------|
| Length (mm):       |               |
| Width (mm):        |               |
| Height (mm):       |               |
| Gross Weight (kg): |               |
| Barcode:           | 5056462656137 |

### Product Details

|                            |                               |
|----------------------------|-------------------------------|
| Country of Origin:         | United Kingdom                |
| Fitting Instruction:       | No                            |
| CE Certification:          | Yes                           |
| Colour/Finish:             | Slate Black                   |
| Product Material:          | Acrylic Capped ABS Caco3 & Pu |
| Material Colour Reference: | Slate Black                   |
| Radius:                    | 550                           |
| Waste Required (mm):       | 90                            |
| Compatible with Leg Kit:   | No                            |