

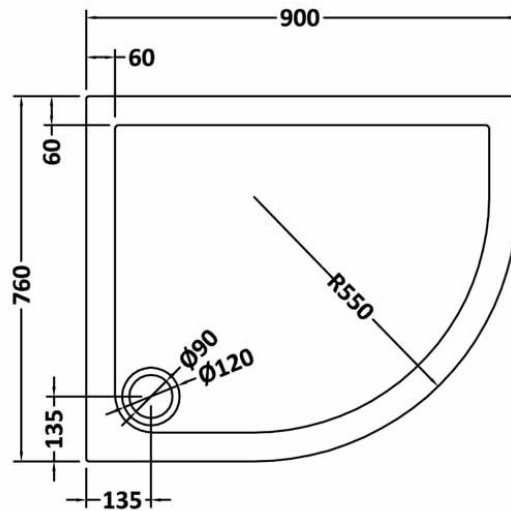
CUSTOMER DATA SHEET - SHOWER TRAYS

SALES CODE: NTP102

DESCRIPTION: Offset Quad Tray Rh 900X760x40



**NTP102 - 900 x 760 OFFSET
 QUADRANT TRAY RH**



PRODUCT DIMENSIONS			
Length (mm)	Width (mm)	Height (mm)	Nett Wgt Kg
900	760	40	17.4

PACKAGING DIMENSIONS			
Length (mm)	Width (mm)	Height (mm)	Gross Wgt Kg
940	800	80	17.4

PACKAGING DATA			
Box Colour	Shrinkwrap & Polystyrene		
Box Qty	1	Label Colour	White Label
Label Size	100 x 50	Label Qty	2

OUTER BOX DIMENSIONS (If Applicable)			
Length (mm)	Width (mm)	Height (mm)	Gross Wgt Kg
Barcode	5055369006083		

PRODUCT DETAILS	
Country of Origin	United Kingdom
Fitting Instruction	Yes
Product Material	Acrylic Capped ABS Caco3 & Pu
Mat' Colour Ref'	European White
Waste Required (mm)	90

CE Certification	Yes
Colour/Finish	White
Radius	550
Compatible with Leg Kit	Yes