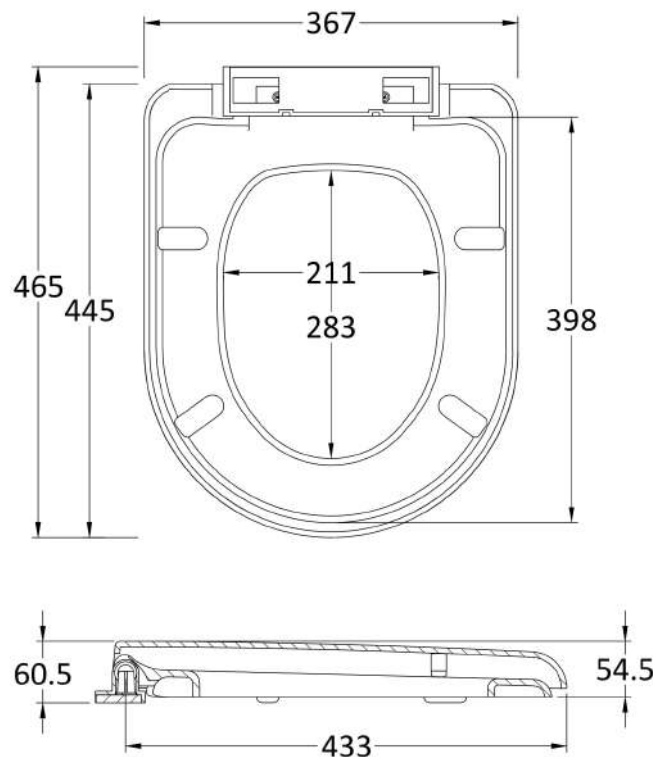


Sales Code: NTS002

Description: Standard D Shape Seat, Sc, Top Fix



### Product Dimensions

Length (mm):	465
Width (mm):	367
Height (mm):	61
Nett Weight (kg):	1.84

### Packaging Dimensions

Length (mm):	465
Width (mm):	380
Height (mm):	55
Gross Weight (kg):	2.02

### Packaging Data

Box Colour:	White Cardboard Box - Printed
Box Qty:	0
Label Size:	0 x 0
Label Colour:	Not Applicable
Label Qty:	0

### Outer Box Dimensions (If Applicable)

Length (mm):	0
Width (mm):	0
Height (mm):	0
Gross Weight (kg):	0
Barcode:	5060272824853

### Product Details

Country of Origin:	China
Fitting Instruction:	Yes
CE & UKCA:	Not Applicable
Product Material:	Polypropylene
Seat Type:	D Shape
Seat Function:	Soft Close
Hinge Centres (Min):	0
Hinge Centres (Max):	0
Hinge Material:	Polypropylene
Colour/Finish:	White
Fixing Method:	Top Fix