

PRODUCT DATA SHEET

Core Round Rigid Shower Gunmetal

Product Code: NU-035

Product Name	NU-035
Product Description	Core Round Rigid Shower Gunmetal
Product Transportation	
Barcode	5060964934624
Contry of origin	CH
Comodity code	8481809000
Product Measurements	
Product Weight (KG)	3.722
Product Width (mm)	See Line Drawing
Product Height (mm)	See Line Drawing
Product Depth (mm)	See Line Drawing
Primary Packed Measurements	
Packaged Weight	4.87
Packed Length	840
Packed Width	395
Packed Height	80
Packaging Weights	
Card (kg)	0.59
Paper (kg)	0.0023
Wood (kg)	n/a
Plastic (kg)	0.025
Compliance DOP	

General Information	
Construction Material	Brass /Stainless steel 304 alloy
Installation type	Wall Mounted
Colour / Finish	Gun Metal
Tap / Shower Attributes	
WRAS Approved	Yes
TMV Approved	No
Minimum Operating Pressure (bar)	0.5
Maximum Operating Pressure (bar)	5
Flexible Tails Included	No
Number of tap holes required	2
Handle Type	Knob
Swivel Spout	No
Inlet Connection	3/4 BSP
Outlet Connection	1/2 BSP Handset
Tap Hole Diameter (mm)	N/a
Tap Type description	Thermostatic Mixer
Includes Waste	No
Valve / Cartridge Type	Themostatic Cartridge
Flow Rates	
0.2bar (l/min)	3.7
0.5bar (l/min)	6.08
1bar (l/min)	9.18
2bar (l/min)	14.5
3bar (l/min)	15.54

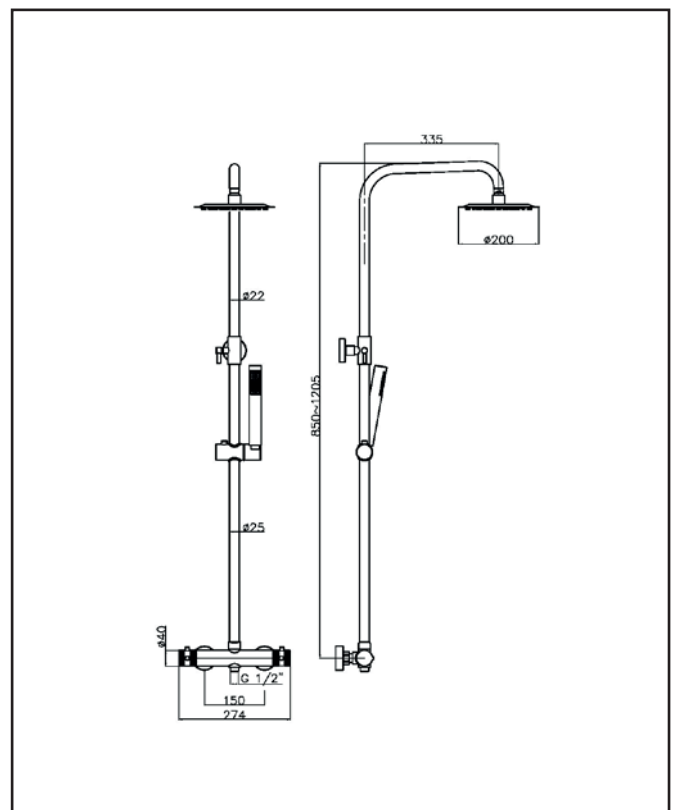


SCUDO
BEAUTIFUL BATHROOMS

0330 124 7290

sales@scudo.co.uk - www.scudo.co.uk

Scudo is the trading name of Harrison Bathrooms Ltd. Whilst we endeavour to ensure that the product information is accurate we accept no liability for any information given. All images are for illustration purposes only. Product images and specification are subject to change. Measurement are in millimetres and are nominal.



Dimensions
(measurements in mm)



LIFETIME GUARANTEE

We are confident in our products and we want our customer to be, we proudly give a lifetime guarantee on our taps and showers, further details can be found on our website

PRODUCT DATA SHEET

Core Round Rigid Shower Gunmetal

Product Code: NU-035



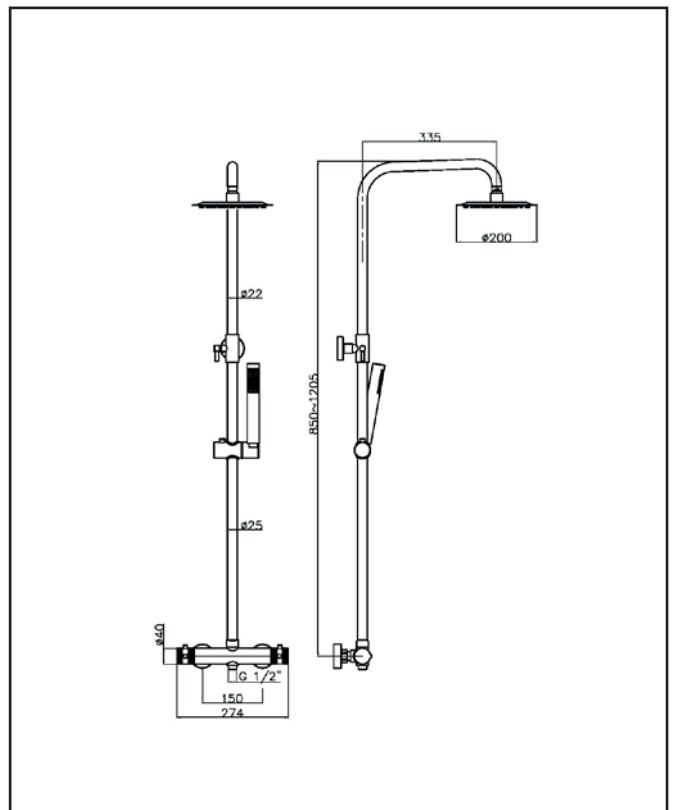
SCUDO
BEAUTIFUL BATHROOMS

0330 124 7290

sales@scudo.co.uk - www.scudo.co.uk

Scudo is the trading name of Harrison Bathrooms Ltd. Whilst we endeavour to ensure that the product information is accurate we accept no liability for any information given. All images are for illustration purposes only. Product images and specification are subject to change. Measurement are in millimetres and are nominal.

Showering - Specification	
Anti-Scald	Yes
Shower Diverter function	Yes
Number of outlets	2
Thermostatic Temperature control	Yes
Cool Touch	No
Shower Handset functions	1
Minimum Working Pressure	0.5
Maximum Working Pressure	5
Shape	Round
Pipe Centres (mm)	150
Inlet Connection	3/4 BSP
Outlet Connection	1/2 BSP
Adjustable	Yes
Adjustment (mm)	850-1205
Handle Type	Round



Dimensions
(measurements in mm)



LIFETIME GUARANTEE

We are confident in our products and we want our customer to be, we proudly give a lifetime guarantee on our taps and showers, further details can be found on our website