

0330 124 7290

sales@scudo.co.uk - www.scudo.co.uk



Scudo is the trading name of Harrison Bathrooms Ltd. Whilst we endeavor to ensure that the product information is accurate, we accept no liability for any information given. All images are for illustration purposes only. Product images and specification are subject to change. Measurement are in millimeters and are nominal.

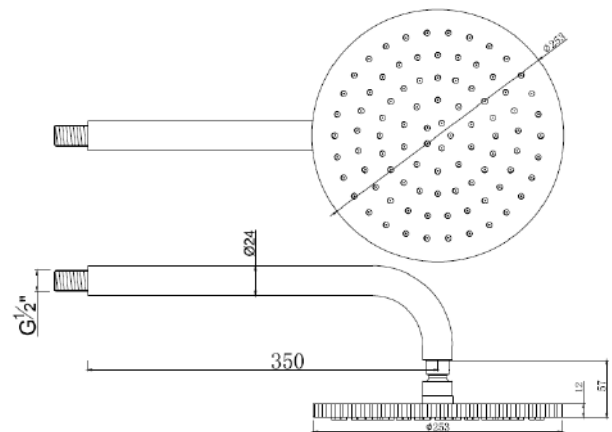
PRODUCT DATA SHEET

Core Round Shower Head & Arm Matte Black

Product Code: NU-060

| | |
|------------------------------------|---|
| Product Name | NU-060 |
| Product Description | Core Round Shower Head & Arm Matte Black |
| Product Transportation | |
| Barcode | 5060991256355 |
| Country of origin | CH |
| Commodity code | 7324900000 |
| Product Measurements | |
| Product Weight | 1.4 KG |
| Product Width | 253mm |
| Product Height | TBCmm |
| Product Length | 350mm |
| Primary Packed Measurements | |
| Packaged Weight | 1.7 KG |
| Packed Height | 80mm |
| Packed Width | 310mm |
| Packed Length | 320mm |

| | |
|----------------------------------|------------------|
| General Information | |
| Construction Material | Stainless Steel |
| Installation type | Wall Mounted |
| Colour / Finish | Matte Black |
| Tap / Shower Attributes | |
| WRAS Approved | No |
| TMV Approved | No |
| Minimum Operating Pressure (bar) | 0.5 |
| Maximum Operating Pressure (bar) | 5 |
| Inlet Connection | ½BSP |
| Shower Type | Wall Mounted Arm |
| Flow Rates | |
| 0.2bar (l/min) | 4.8 |
| 0.5bar (l/min) | 8.1 |
| 1bar (l/min) | 11.7 |
| 2bar (l/min) | 16 |
| 3bar (l/min) | 19.8 |
| 5bar (l/min) | 23.6 |



Dimensions
(measurements in mm)



LIFETIME GUARANTEE

We are confident in our products and we want our customer to be, we proudly give a lifetime guarantee on our taps and showers, further details can be found on our website