

0330 124 7290

sales@scudo.co.uk - www.scudo.co.uk



Scudo is the trading name of Harrison Bathrooms Ltd. Whilst we endeavor to ensure that the product information is accurate, we accept no liability for any information given. All images are for illustration purposes only. Product images and specification are subject to change. Measurement are in millimeters and are nominal.

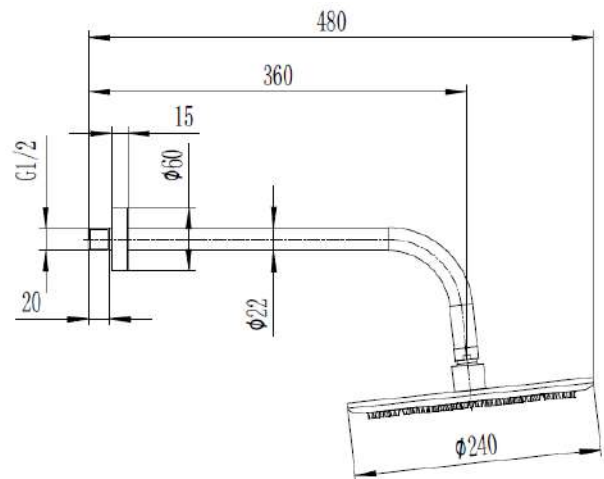
# PRODUCT DATA SHEET

## Round Shower Arm & Head Matte Black

Product Code: NU-065

Product Name	NU-065
Product Description	Round Shower Arm & Head Matte Black
Product Transportation	
Barcode	5060991256508
Country of origin	CH
Commodity code	8481801190
Product Measurements	
Product Weight	1.2 KG
Product Width	240mm
Product Height	TBCmm
Product Length	360mm
Primary Packed Measurements	
Packaged Weight	1.5KG
Packed Height	75mm
Packed Width	420mm
Packed Length	285mm

General Information	
Construction Material	Stainless Steel
Installation type	Wall Mounted
Colour / Finish	Matte Black
Tap / Shower Attributes	
WRAS Approved	No
TMV Approved	No
Minimum Operating Pressure (bar)	0.5
Maximum Operating Pressure (bar)	5
Inlet Connection	½BSP
Shower Type	Wall Mounted Arm
Flow Rates	
0.2bar (l/min)	4.8
0.5bar (l/min)	8.1
1bar (l/min)	11.7
2bar (l/min)	16
3bar (l/min)	19.8
5bar (l/min)	23.6



Dimensions  
(measurements in mm)



### LIFETIME GUARANTEE

We are confident in our products and we want our customer to be, we proudly give a lifetime guarantee on our taps and showers, further details can be found on our website