

# BRISTAN

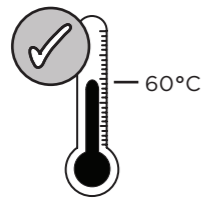
## Installation Instructions & User Guide

Please leave these instructions with the end user

Product code: NVA BSM C (D1)

### Specifications

#### Inlet Water Temperature

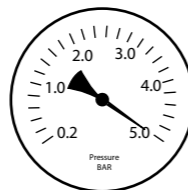
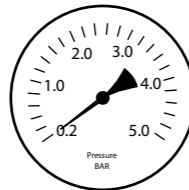


Maximum: 60°C

#### Dynamic Water Pressure

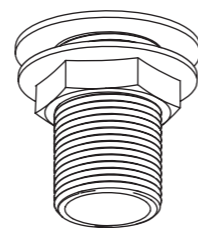
Min: 0.2 bar

Max: 5.0 bar



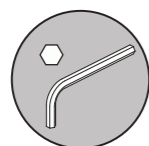
Maximum Static Pressure: 10.0 bar

#### Inlet Connections



3/4" BSP

### Tools You'll Need



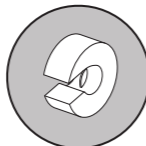
Hexagonal Key



Crosshead Screwdriver



Adjustable Spanner



Pipe Cutter



Drill



Pencil

### Prior to Installation

All products manufactured and supplied by Bristan are safe provided they are installed, used correctly and receive regular maintenance in accordance with these instructions.

This product has been tested to the Water Regulations Advisory Scheme (WRAS) and satisfies the requirements of the Water Supply (Water Fittings) Regulations 1999 and current bylaws. For full Installation Requirements & Notes (IRN) please visit [wras.co.uk/directory](http://wras.co.uk/directory).

We recommend isolation valves to be fitted to the inlet water supplies to ensure ease of future maintenance.

Before installing these taps the water supply must be thoroughly flushed in order to remove any swarf, solder etc.

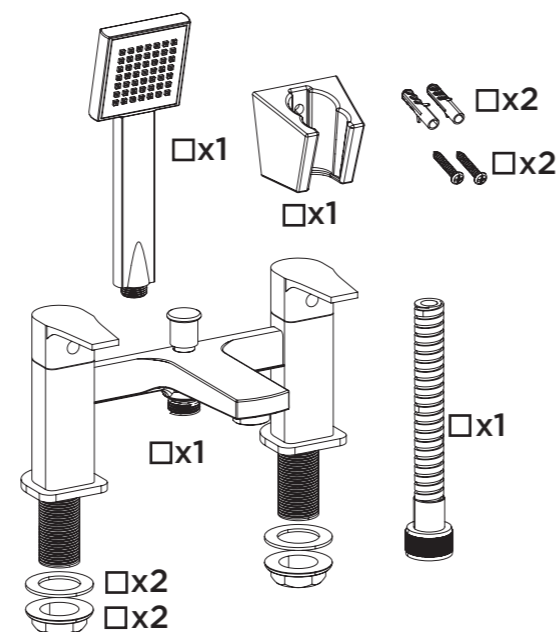
This product must not be modified in any way as this will invalidate the guarantee.

Full access must be made available for future maintenance/servicing purposes.

If in doubt, contact a registered plumber or your Local Water Authority or the Secretary of the Institute of Plumbing, address as follows:-

The Institute of Plumbing,  
64 Station Lane,  
Hornchurch,  
Essex,  
RM12 6NB, Tel: 01708 472791

### Pack Contents



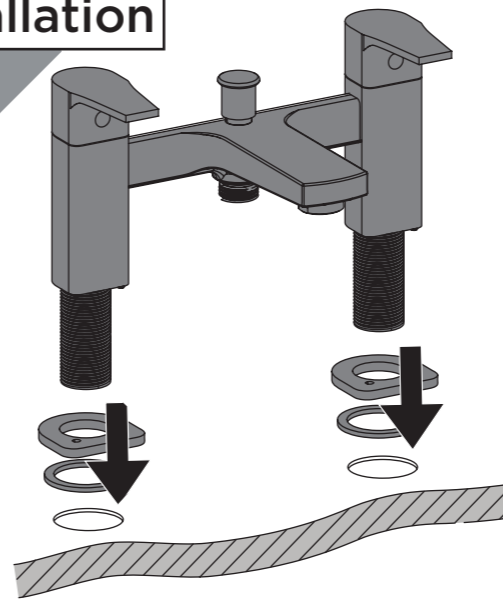
### Spare Parts

To replace any spare parts for your tap, why not scan the QR Code or visit [www.bristan.com](http://www.bristan.com) and search for your product.



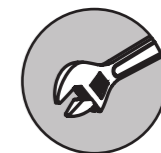
### Installation

1



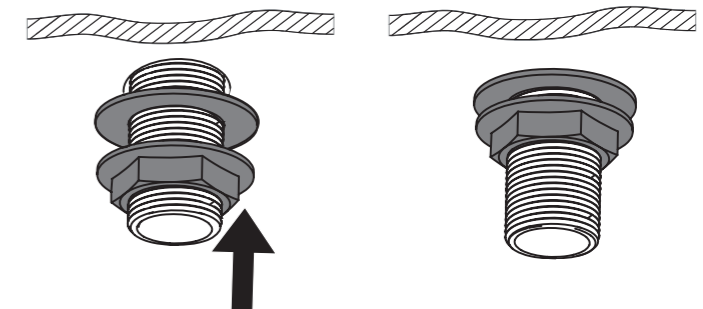
Feed the tap body through the tap holes, ensuring the plinths are in place.

2



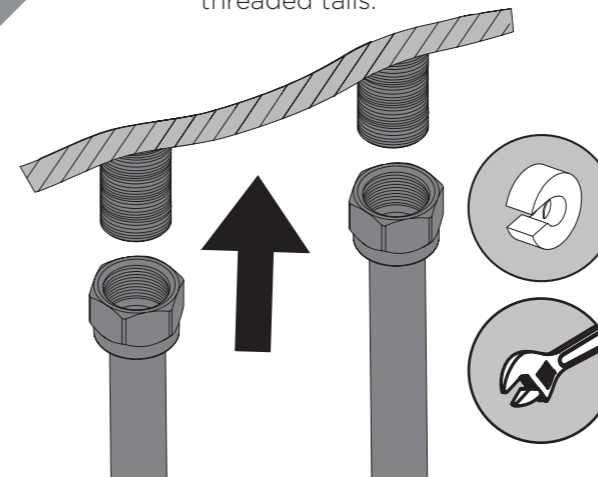
REMEMBER  
Hot on the left, cold on the right!

Secure the taps to the bath by using the washer and metal backnut below the bath.

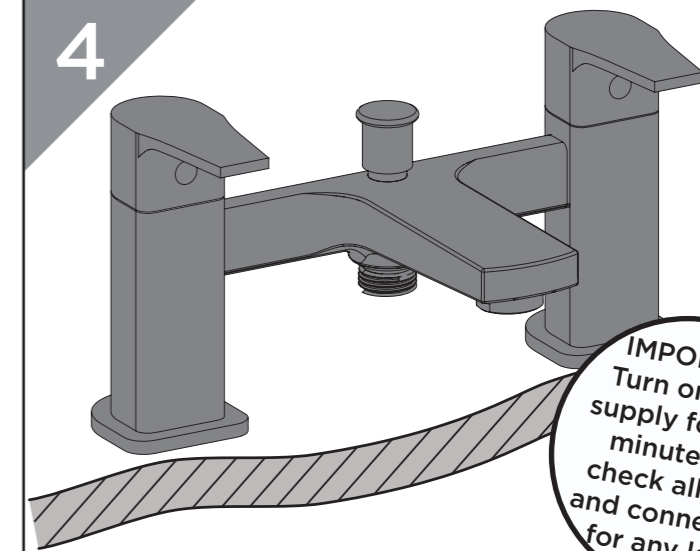


3

Connect the hot and cold water supplies to the threaded tails.



4

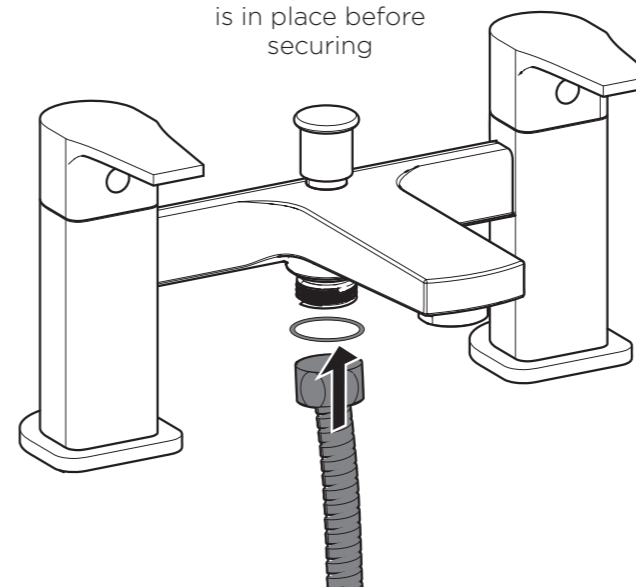


IMPORTANT  
Turn on water supply for a few minutes and check all joints and connections for any leaks

### Hose Connection

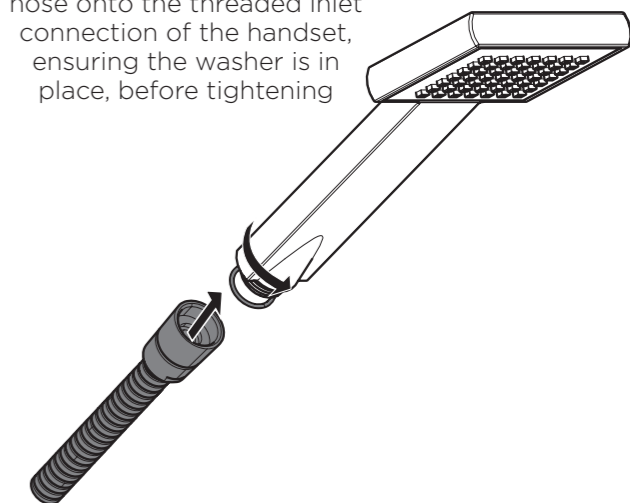
1

Secure nut end of hose onto the threaded outlet connection, ensuring the washer is in place before securing



2

Secure the cone end of hose onto the threaded inlet connection of the handset, ensuring the washer is in place, before tightening



## Installation - Wall Bracket

**1**

Position the wall bracket where you want it and mark out where to drill.

**2**

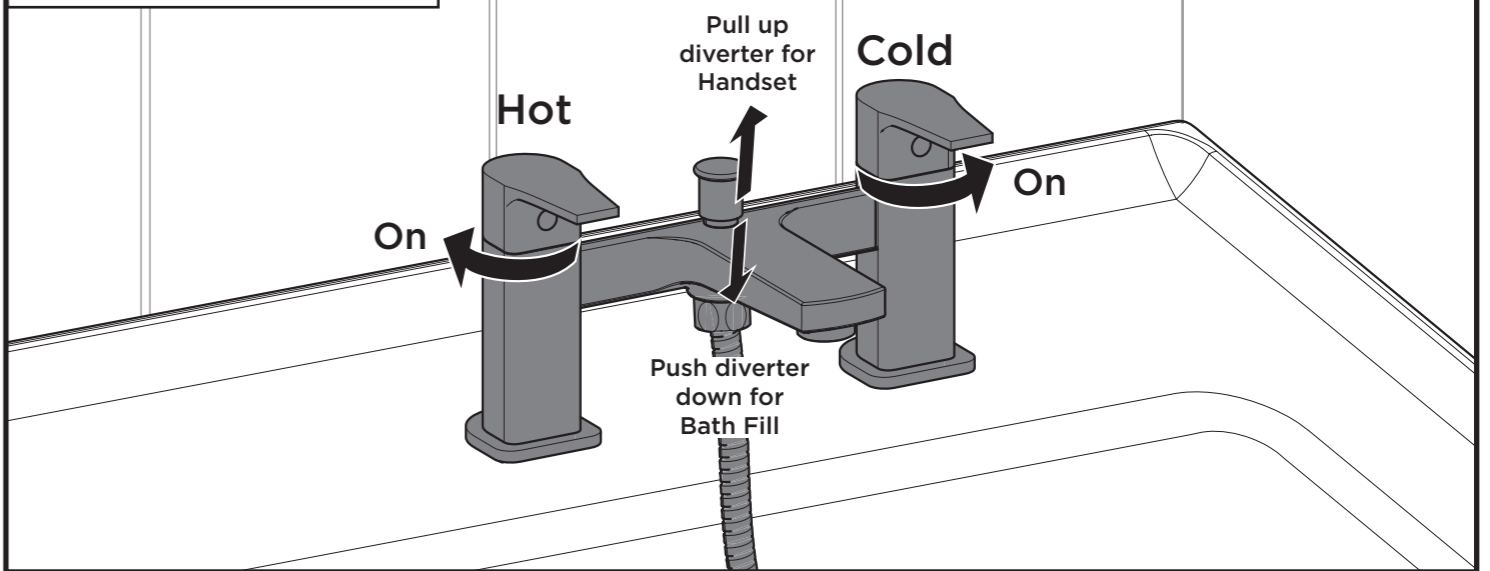
**IMPORTANT**  
Prior to drilling into walls check there are no hidden electrical wires, cables or water supply pipes

Drill holes where marked and fit rawl plugs. Secure wall bracket to wall using screws provided.

**3**

Check handset sits securely on the wall bracket and there is no movement

## Operation



## Maintenance - Cleaning/Replacing Valves

**1**

Remove indice and grub screw to pull off handle. Undo screw and remove spline adaptor.

**2**

You may need to use adjustable spanner

Remove the valves.

**3**

Place valves in a suitable solution and soak until fully de-scaled.

**4**

Reverse the maintenance steps to replace the handles.

## General Cleaning

Bristan products are made from premium materials, with hand polishing and electroplated finishes.

Your taps or shower should be regularly cleaned with warm water, a mild pH-neutral liquid soap, and polished with a soft cloth. Any residues from soap, toothpaste, shampoos and shower gels can cause blemishes if not rinsed off straight after use.

## Maintenance - Outlet Cleaning

**1**

Unscrew gently to remove the outlet with adjustable spanner.

**2**

Check for damage. Soak using a suitable solution to de-scale.

Screw back into the tap body to replace the outlet.

## Troubleshooting

Symptom	Cause	Remedy
No flow or low flow rate	Partially closed isolation valve.	Open isolation valve.
	Instantaneous water heater cycles on and off as flow rate or pressure is too low.	Increase water flow rate or pressure through system.
	Head of water is below the minimum distance required.	Refer to specification for minimum distance required.
	Hot or cold water being drawn off elsewhere causing pressure changes or instantaneous boiler temperature changes.	Do not use other water outlets when using the taps.
	Airlock or partial blockage in the supply pipework.	Flush through pipework to ensure removal of debris and any airlocks.
Water dripping from taps	This is normal for a short time after using the taps.	This is caused by residual water tension, the build up of water in the tap body.
	If water continues to drip, possibly due to the ceramic disc valves	Remove valves and clean, refer to 'Maintenance' section before starting any maintenance.
Taps do not turn on	Closed isolation valve.	Open isolation valve.
	Mains water supply turned off.	Turn on mains water supply.

## Notes

Please use this space for any notes you or your installer may have regarding the installation/plumbing of this product.

At Bristan, we want to make things as easy as possible for our customers. That's why we offer solid guarantees on all our products, effective from the date of purchase, to give you peace of mind.

To start your free guarantee simply scan the QR code and register your product. Alternatively visit [www.bristan.com/register](http://www.bristan.com/register).

For any other queries, please call our Customer Service on 0330 026 6273 where our expert team of advisors will be able to offer you any help and advice.

For full guarantee terms and conditions visit [www.bristan.com/service-centre/guarantees](http://www.bristan.com/service-centre/guarantees).



*We Know & We Care*