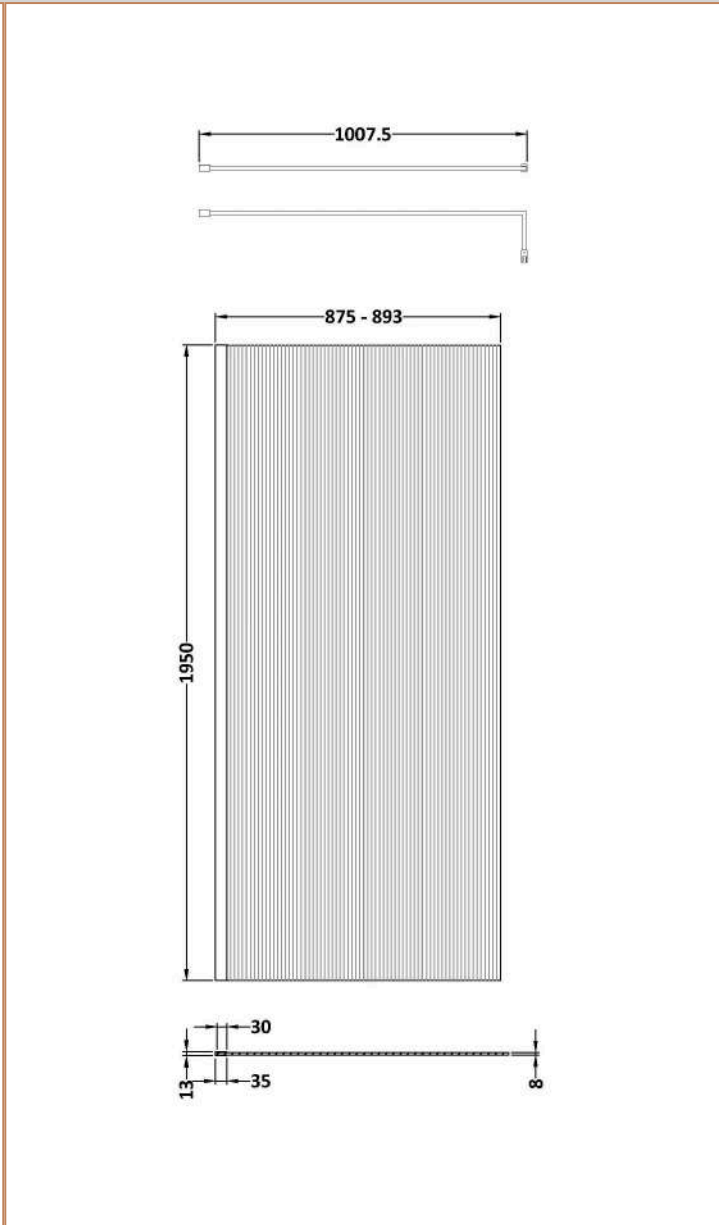


**Sales Code:** NWFL1990BP

**Barcode:** 5056883732458

**Brand:** nuie

**Description:** 900x1950 Fluted Wetroom Screen Inc' BAR



**Product Dimensions**

Product	2070 x 950 x 1970mm (H x W x D)
Packaged	2070 x 950 x 60mm (H x W x D)
Nett Weight	40.3 kg
Packaged Weight	40.3 kg

**Product Details**

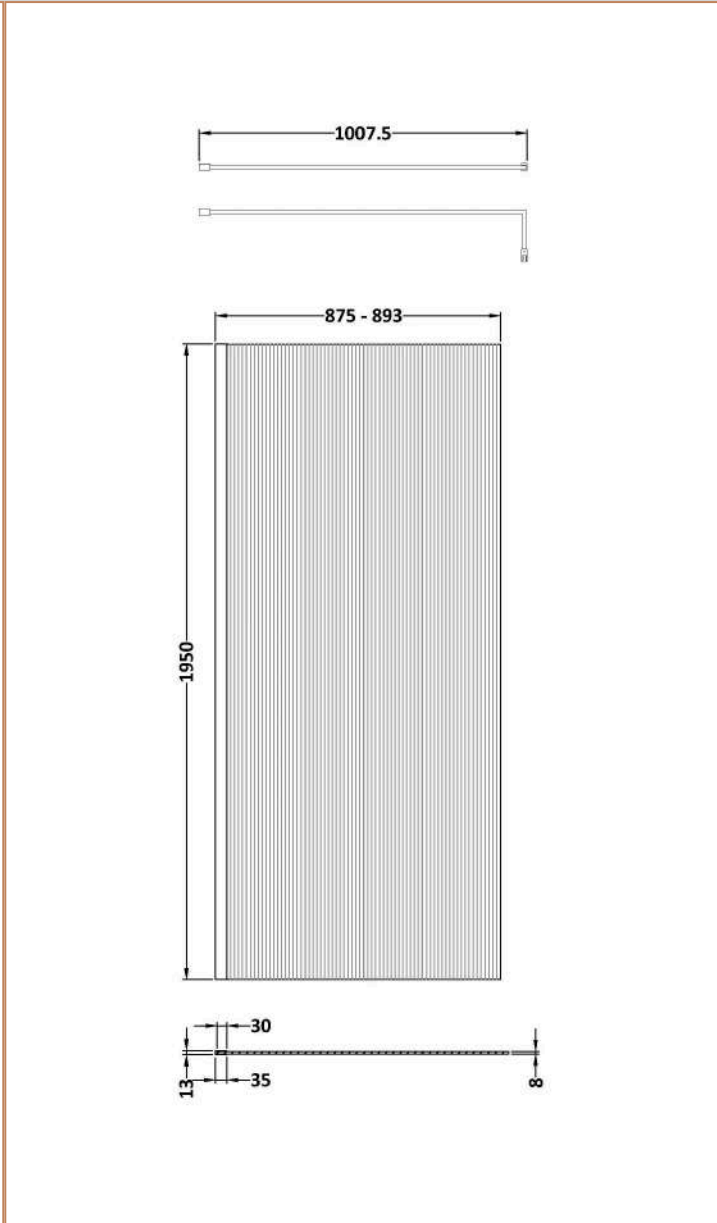
Country of Origin	China
Product Material	Aluminium
Colour/Finish	Matt Black
Style	Contemporary
Easy Clean	Yes
Adjustment Max	893
Adjustment Min	875
Ce Certified	Yes
Declaration Of Performance	Yes
Easy Fit	No
Enclosure Design	Semi-Frameless
Frame Finish	Matt Black
Glass Thickness	8 mm
Handles Included	No
Ukca Certified	Yes

**Sales Code:**  
WRFL19590

**Barcode:** 5056462661254

**Brand:** Hudson  
Reed

**Description:** Synergy 900mm Semi-Frameless Chrome Fluted Wetroom Screen With Support Bar



**Product Dimensions**

Product	1950 x 900 x 14mm (H x W x D)
Packaged	2070 x 950 x 60mm (H x W x D)
Nett Weight	40.3 kg
Packaged Weight	40.3 kg

**Packaging Details**

Label Size (mm)	50 x 100
-----------------	----------

**Product Details**

Country of Origin	China
Product Material	Aluminium
Colour/Finish	Chrome
Style	Contemporary
Easy Clean	Yes
Adjustment Max	893
Adjustment Min	875
Ce Certified	Yes
Declaration Of Performance	Yes
Easy Fit	No
Enclosure Design	Semi-Frameless
Frame Finish	Chrome
Glass Thickness	8 mm
Handles Included	No
Support Bar Included	Yes
Ukca Certified	Yes

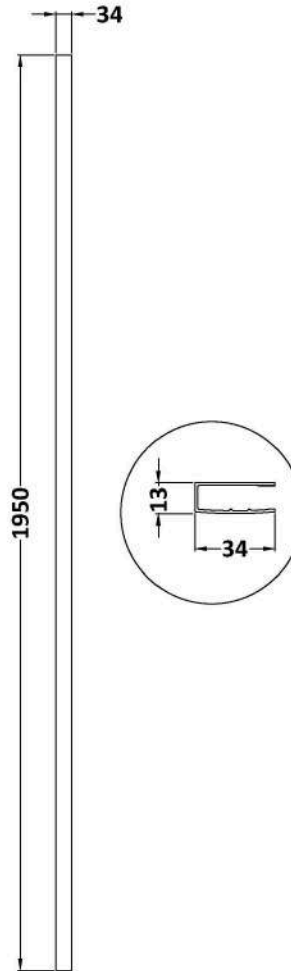
**Sales Code:** WRSF004

**Barcode:** 5056211807643

**Brand:** Hudson Reed

**Description:** Hudson Reed 1950mm Matt Black Wetroom Wall Channel

*Product Image Not Available*



**Product Dimensions**

Product	1950 x 34 x 13mm (H x W x D)
Packaged	45 x 185 x 1970mm (H x W x D)
Nett Weight	1.01 kg
Packaged Weight	1.42 kg

**Product Details**

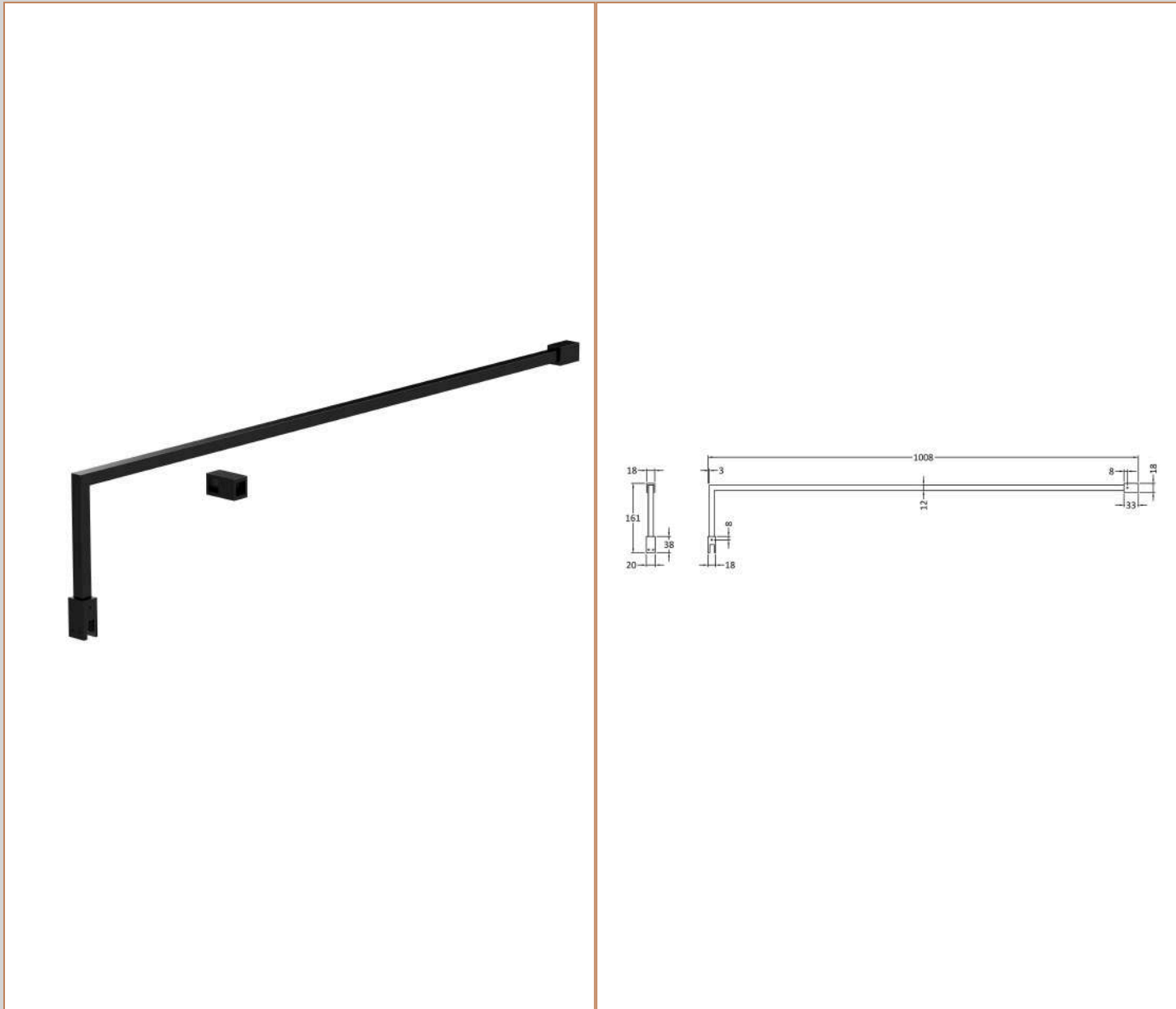
Country of Origin	China
Product Material	Aluminium
Colour/Finish	Matt Black
Style	Contemporary

**Sales Code:** FIX024

**Barcode:** 5056211847342

**Brand:** nuie

**Description:** Nuie Matt Black Wetroom Screen Support Arm



**Product Dimensions**

Product	15 x 150 x 1000mm (H x W x D)
Packaged	35 x 160 x 1020mm (H x W x D)
Nett Weight	0.67 kg
Packaged Weight	0.7 kg

**Product Details**

Country of Origin	China
Product Material	Stainless Steel
Colour/Finish	Matt Black
Style	Contemporary