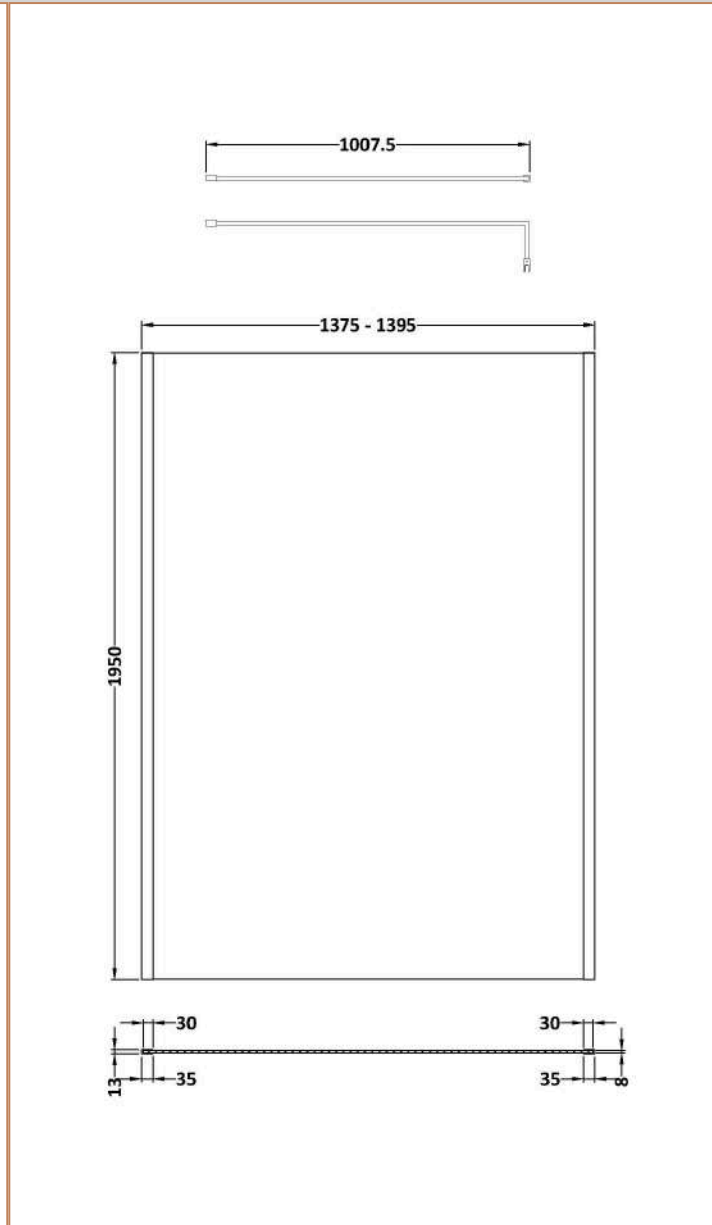
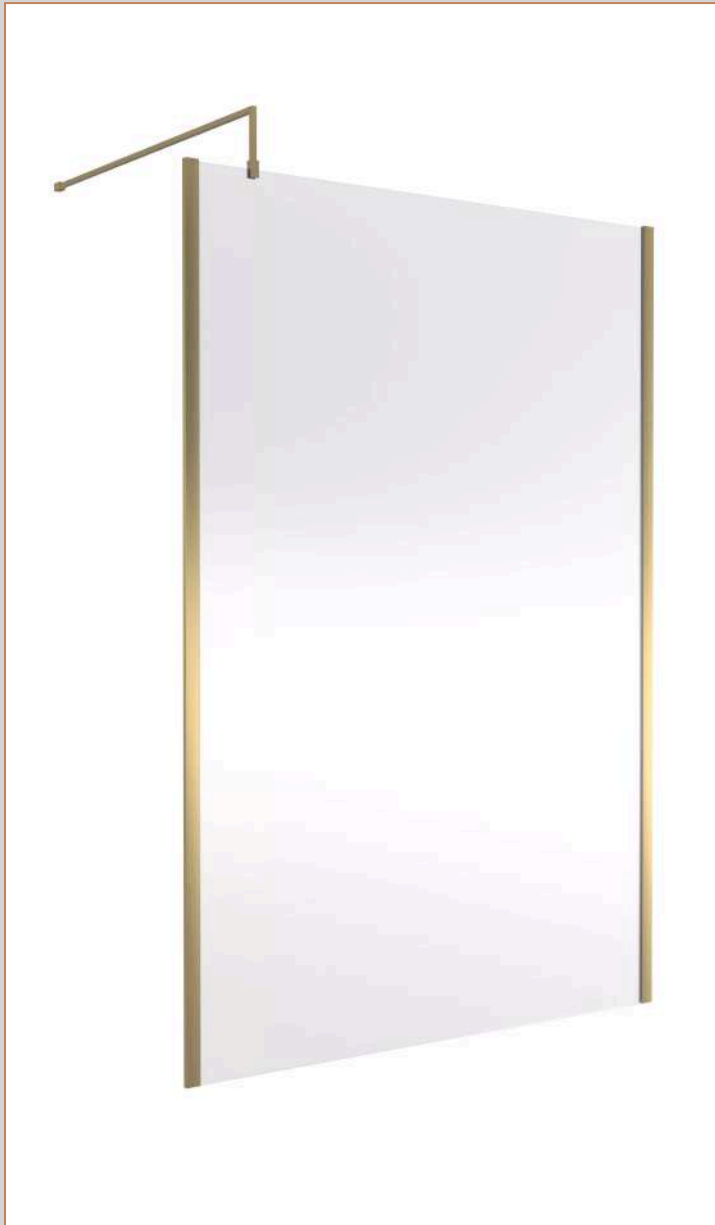


Sales Code: NWO14BB

Barcode: 5056883735145

Brand: nuie

Description: 1400 Wetroom Screen Outer Frame 1950x8mm



Product Dimensions

Product	1950 x 1400 x 14mm (H x W x D)
Packaged	1920 x 1450 x 60mm (H x W x D)
Nett Weight	62.7 kg
Packaged Weight	62.7 kg

Product Details

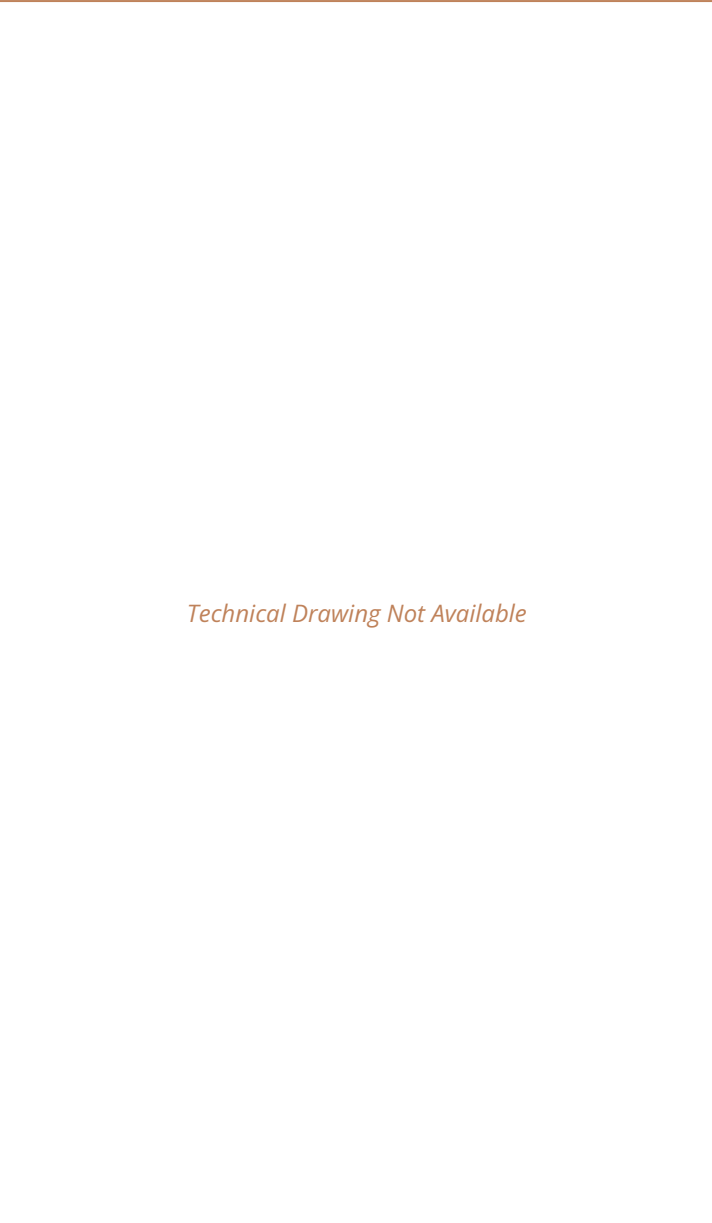
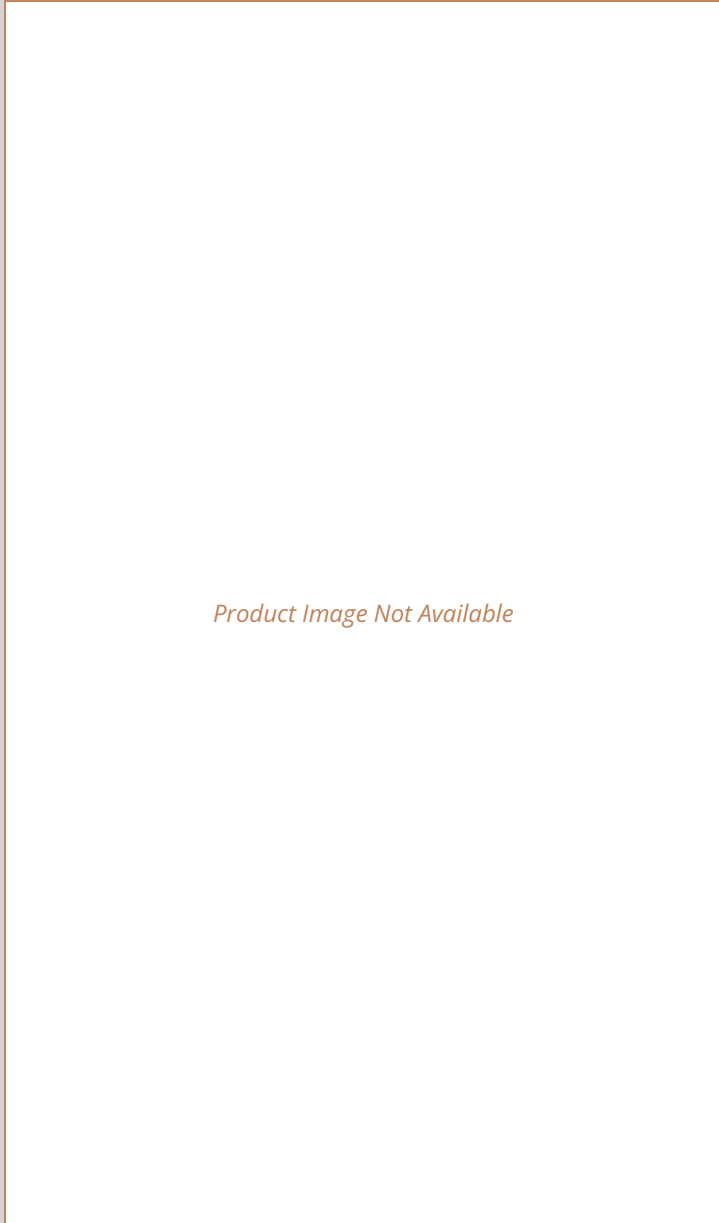
Country of Origin	China
Product Material	Aluminium
Colour/Finish	Brushed Brass
Style	Contemporary
Easy Clean	Yes
Adjustment Max	1400
Adjustment Min	1380
Ce Certified	Yes
Declaration Of Performance	Yes
Easy Fit	No
Enclosure Design	Semi-Frameless
Frame Finish	Brushed Brass
Glass Thickness	8 mm
Handles Included	No
Ukca Certified	Yes

Sales Code: WRSB1400G

Barcode: 5056460000000

Brand: OEM

Description: Missing title



Product Dimensions

Product	1950 x 1400 x 8mm (H x W x D)
Packaged	65 x 1485 x 2010mm (H x W x D)
Nett Weight	62.7 kg
Packaged Weight	62.7 kg

Product Details

Country of Origin	China
Easy Clean	No
Ce Certified	Yes
Easy Fit	No
Enclosure Design	Frameless
Glass Thickness	8 mm

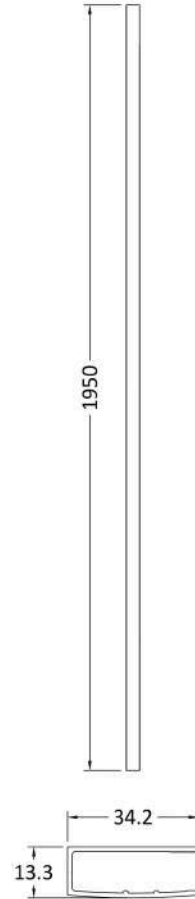
Sales Code: WRSF015

Barcode: 5056462611860

Brand: Hudson Reed

Description: Hudson Reed Brass 1950mm Wetroom Wall Channel

Product Image Not Available



Product Dimensions

Product	1950 x 34 x 13mm (H x W x D)
Packaged	45 x 185 x 1970mm (H x W x D)
Nett Weight	0.8 kg
Packaged Weight	0.8 kg

Product Details

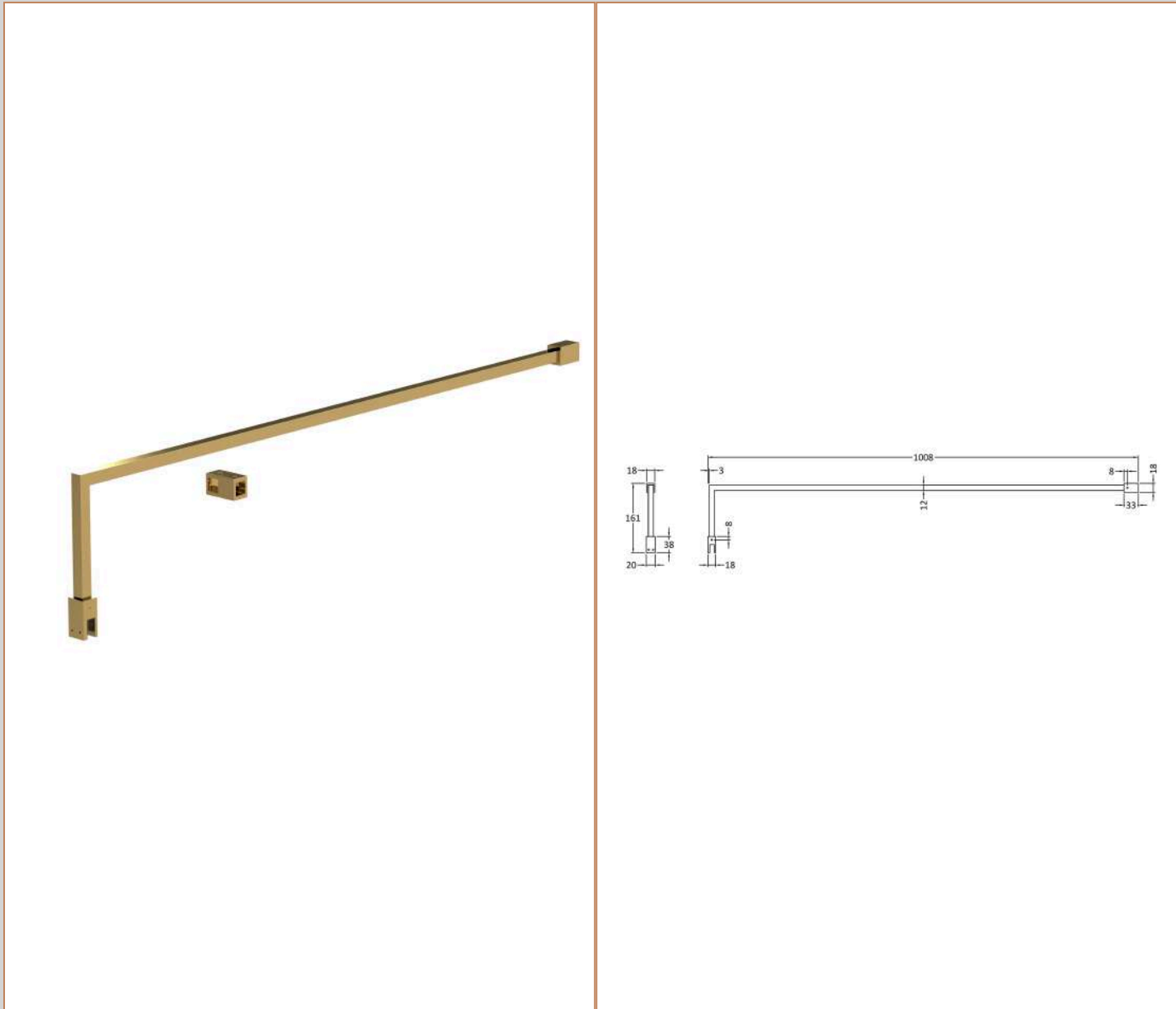
Country of Origin	China
Product Material	Aluminium
Colour/Finish	Brass
Style	Contemporary

Sales Code: FIX025

Barcode: 5056462611884

Brand: nuie

Description: Nuie Brushed Brass Wetroom Screen Support Arm



Product Dimensions

Product	15 x 150 x 1000mm (H x W x D)
Packaged	35 x 160 x 1020mm (H x W x D)
Nett Weight	0.67 kg
Packaged Weight	0.7 kg

Product Details

Country of Origin	China
Product Material	Stainless Steel
Colour/Finish	Brushed Brass
Style	Contemporary