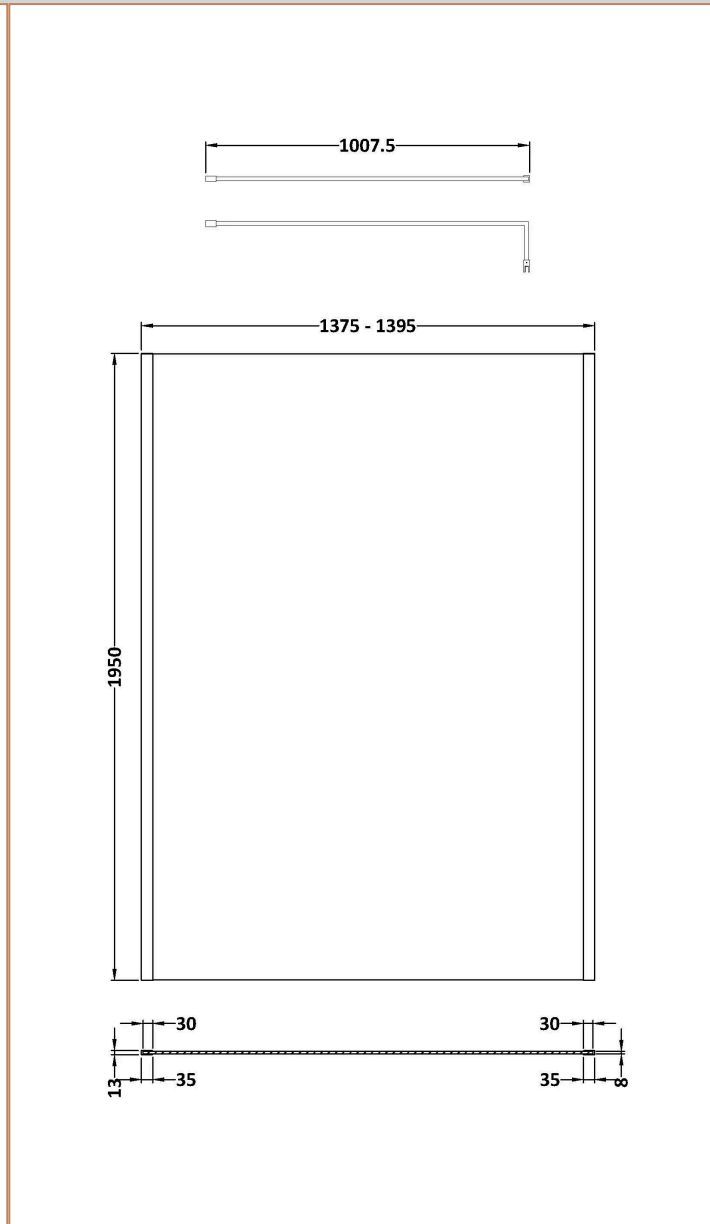
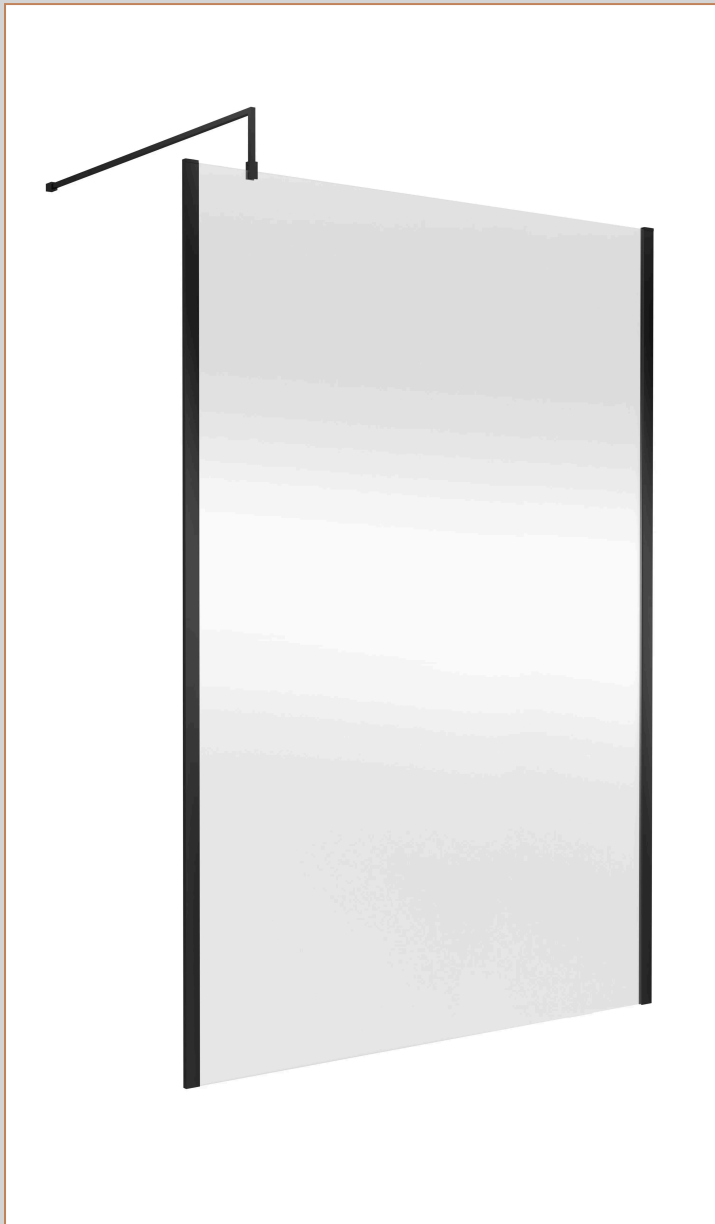


**Sales Code:** NWO14BP

**Barcode:** 5056883735138

**Brand:** nuie

**Description:** 1400 Wetroom Screen Outer Frame 1950x8mm



### Product Dimensions

Product	1950 x 1400 x 14mm (H x W x D)
Packaged	1920 x 1450 x 60mm (H x W x D)
Nett Weight	62.7 kg
Packaged Weight	62.7 kg

### Product Details

Country of Origin	China
Product Material	Aluminium
Colour/Finish	Brushed Brass
Style	Contemporary
Easy Clean	Yes
Adjustment Max	1400
Adjustment Min	1380
Ce Certified	Yes
Declaration Of Performance	Yes
Easy Fit	No
Enclosure Design	Semi-Frameless
Frame Finish	Brushed Brass
Glass Thickness	8 mm
Handles Included	No
Ukca Certified	Yes

**Sales Code:** WRSB1400G

**Barcode:** 5056460000000

**Brand:** OEM

**Description:** Missing title



**Product Dimensions**

Product	1950 x 1400 x 8mm (H x W x D)
Packaged	65 x 1485 x 2010mm (H x W x D)
Nett Weight	62.7 kg
Packaged Weight	62.7 kg

**Product Details**

Country of Origin	China
Easy Clean	No
Ce Certified	Yes
Easy Fit	No
Enclosure Design	Frameless
Glass Thickness	8 mm

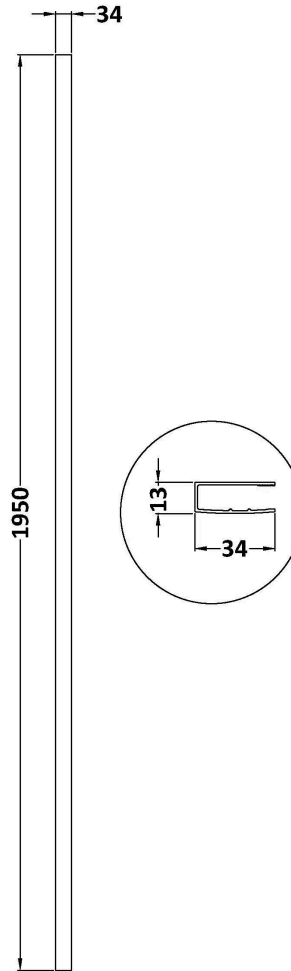
**Sales Code:** WRSF004

**Barcode:** 5056211807643

**Brand:** Hudson Reed

**Description:** Hudson Reed 1950mm Matt Black Wetroom Wall Channel

*Product Image Not Available*



**Product Dimensions**

Product	1950 x 34 x 13mm (H x W x D)
Packaged	45 x 185 x 1970mm (H x W x D)
Nett Weight	1.01 kg
Packaged Weight	1.42 kg

**Product Details**

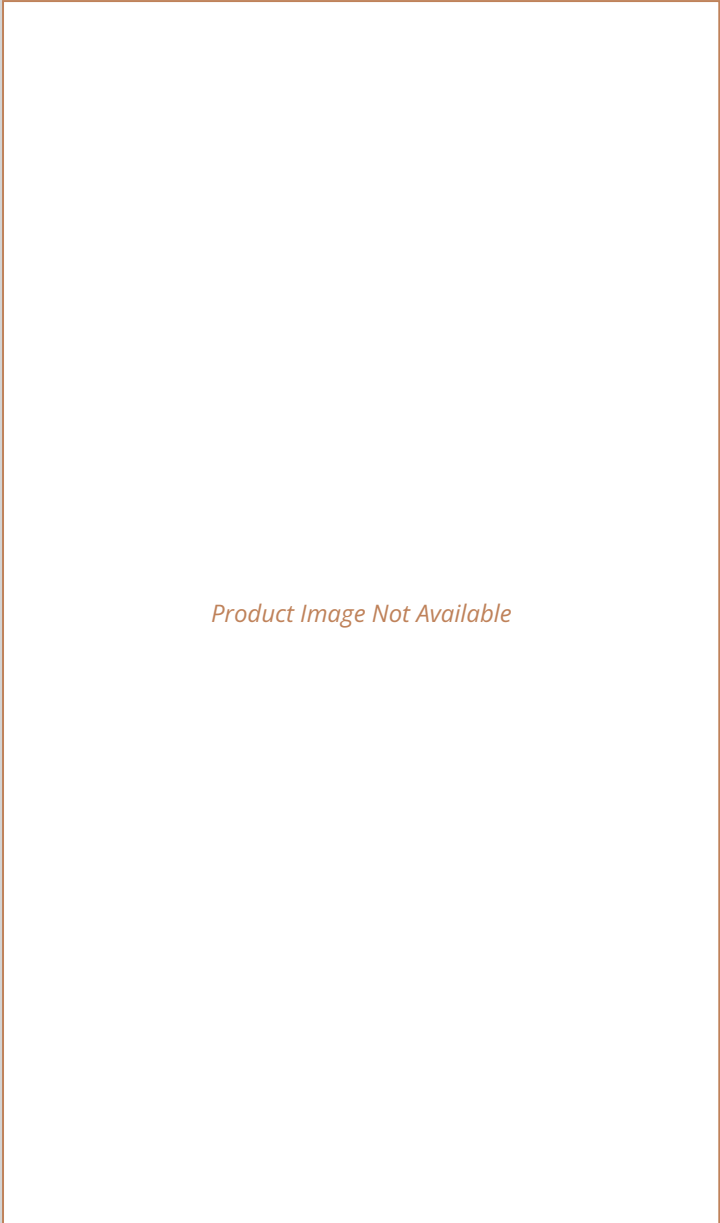
Country of Origin	China
Product Material	Aluminium
Colour/Finish	Matt Black
Style	Contemporary

**Sales Code:** WRSF004U

**Barcode:** 5056460000000

**Brand:** Hudson Reed

**Description:** 1950mm W/R DECORATIVE PROFILE UNDRILLED



**Product Dimensions**

Packaged	45 x 185 x 1970mm (H x W x D)
Nett Weight	1.01 kg
Packaged Weight	1.42 kg

**Product Details**

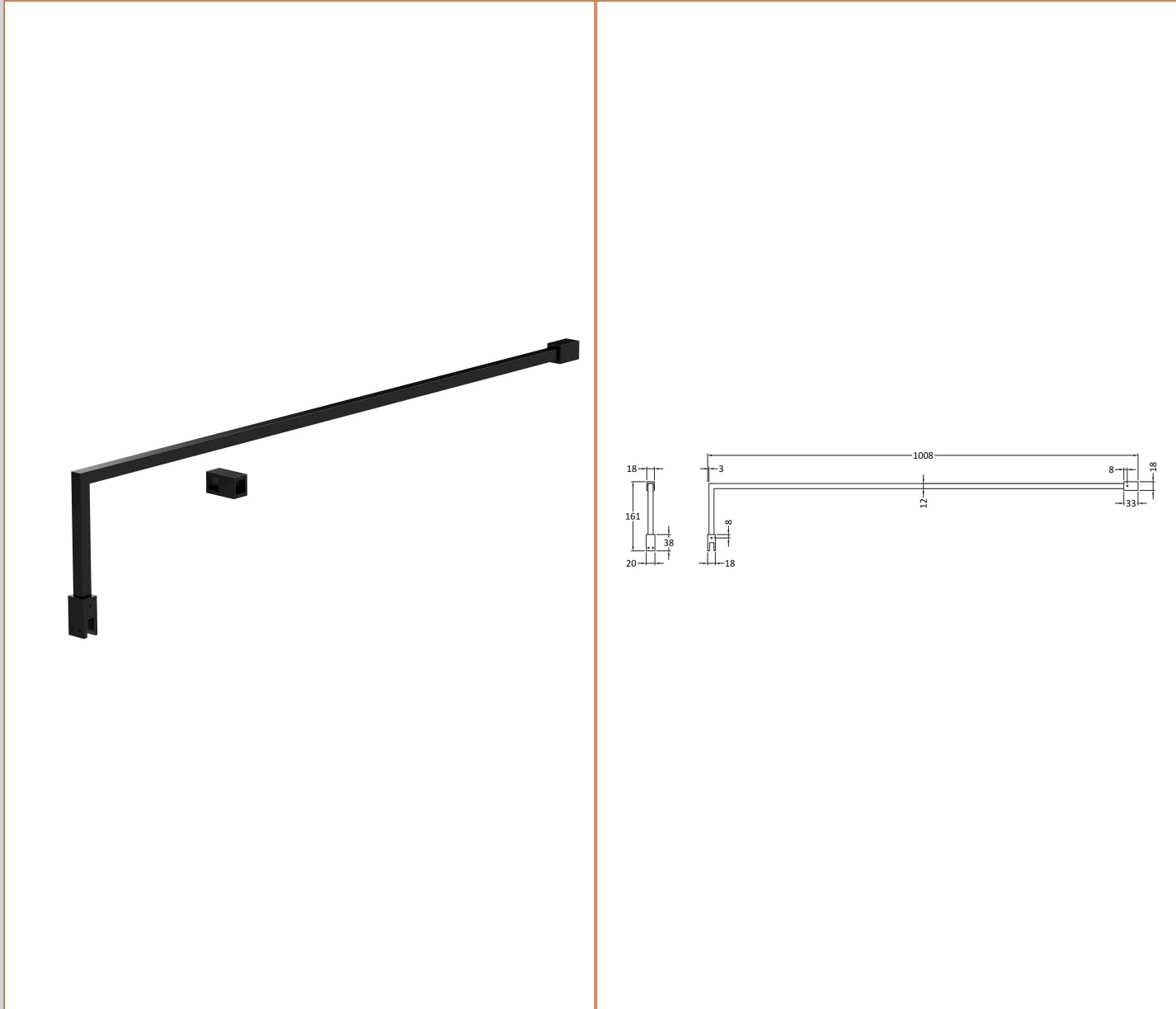
Country of Origin	China
Colour/Finish	Matt Black

**Sales Code:** FIX024

**Barcode:** 5056211847342

**Brand:** nuie

**Description:** Nuie Matt Black Wetroom Screen Support Arm



**Product Dimensions**

Product	15 x 150 x 1000mm (H x W x D)
Packaged	35 x 160 x 1020mm (H x W x D)
Nett Weight	0.67 kg
Packaged Weight	0.7 kg

**Product Details**

Country of Origin	China
Product Material	Stainless Steel
Colour/Finish	Matt Black
Style	Contemporary