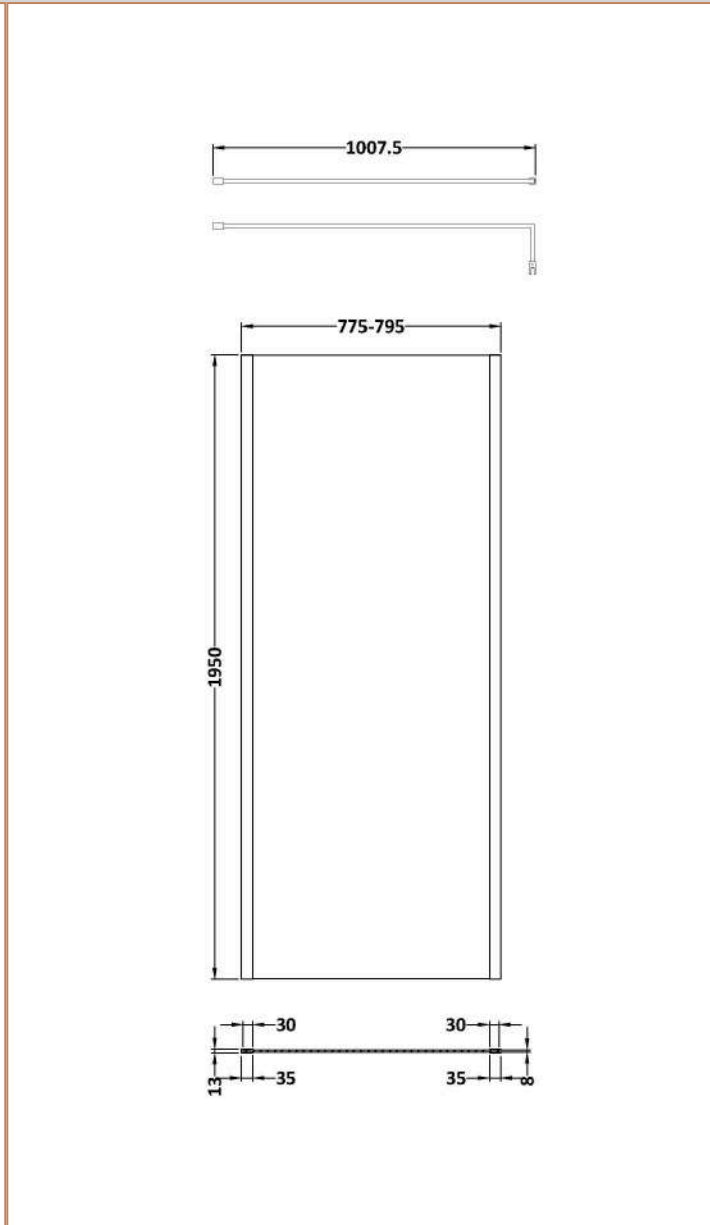
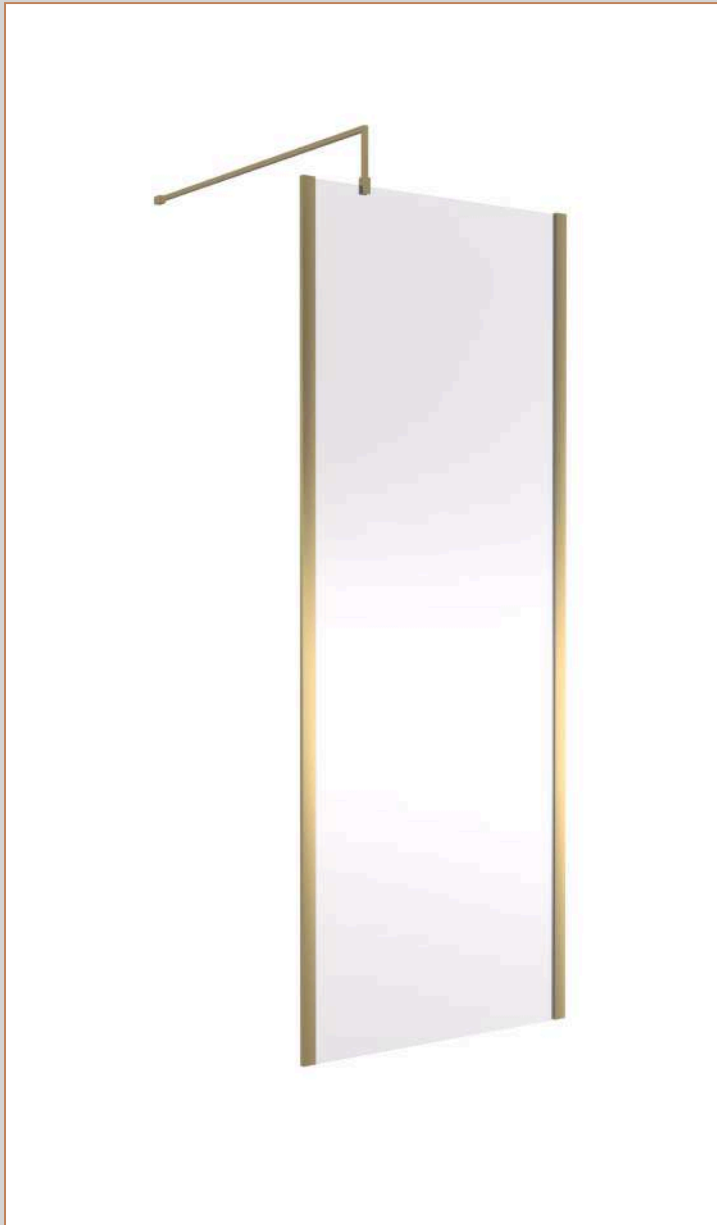


**Sales Code:** NWOFF80BB

**Barcode:** 5056883735046

**Brand:** nuie

**Description:** 800 Wetroom Screen Outer Frame 1950x8mm



### Product Dimensions

Product	1950 x 800 x 14mm (H x W x D)
Packaged	2070 x 850 x 60mm (H x W x D)
Nett Weight	35.9 kg
Packaged Weight	35.9 kg

### Product Details

Country of Origin	China
Product Material	Aluminium
Colour/Finish	Brushed Brass
Style	Contemporary
Easy Clean	Yes
Adjustment Max	800
Adjustment Min	780
Ce Certified	Yes
Declaration Of Performance	Yes
Easy Fit	No
Enclosure Design	Semi-Frameless
Frame Finish	Brushed Brass
Glass Thickness	8 mm
Handles Included	No
Ukca Certified	Yes

**Sales Code:** WRSB800G

**Barcode:** 5056460000000

**Brand:** OEM

**Description:** Missing title



*Product Image Not Available*



*Technical Drawing Not Available*

**Product Dimensions**

Product	1950 x 800 x 8mm (H x W x D)
Packaged	65 x 830 x 2010mm (H x W x D)
Nett Weight	35.9 kg
Packaged Weight	35.9 kg

**Product Details**

Country of Origin	China
Easy Clean	No
Ce Certified	Yes
Easy Fit	No
Enclosure Design	Frameless
Glass Thickness	8 mm

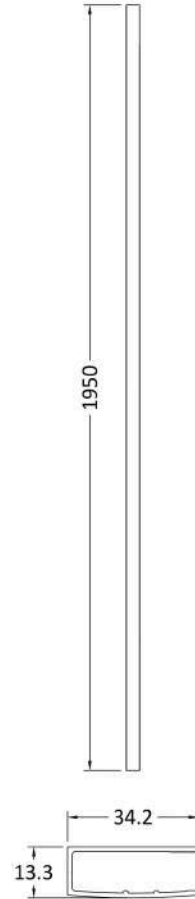
**Sales Code:** WRSF015

**Barcode:** 5056462611860

**Brand:** Hudson Reed

**Description:** Hudson Reed Brass 1950mm Wetroom Wall Channel

*Product Image Not Available*



**Product Dimensions**

Product	1950 x 34 x 13mm (H x W x D)
Packaged	45 x 185 x 1970mm (H x W x D)
Nett Weight	0.8 kg
Packaged Weight	0.8 kg

**Product Details**

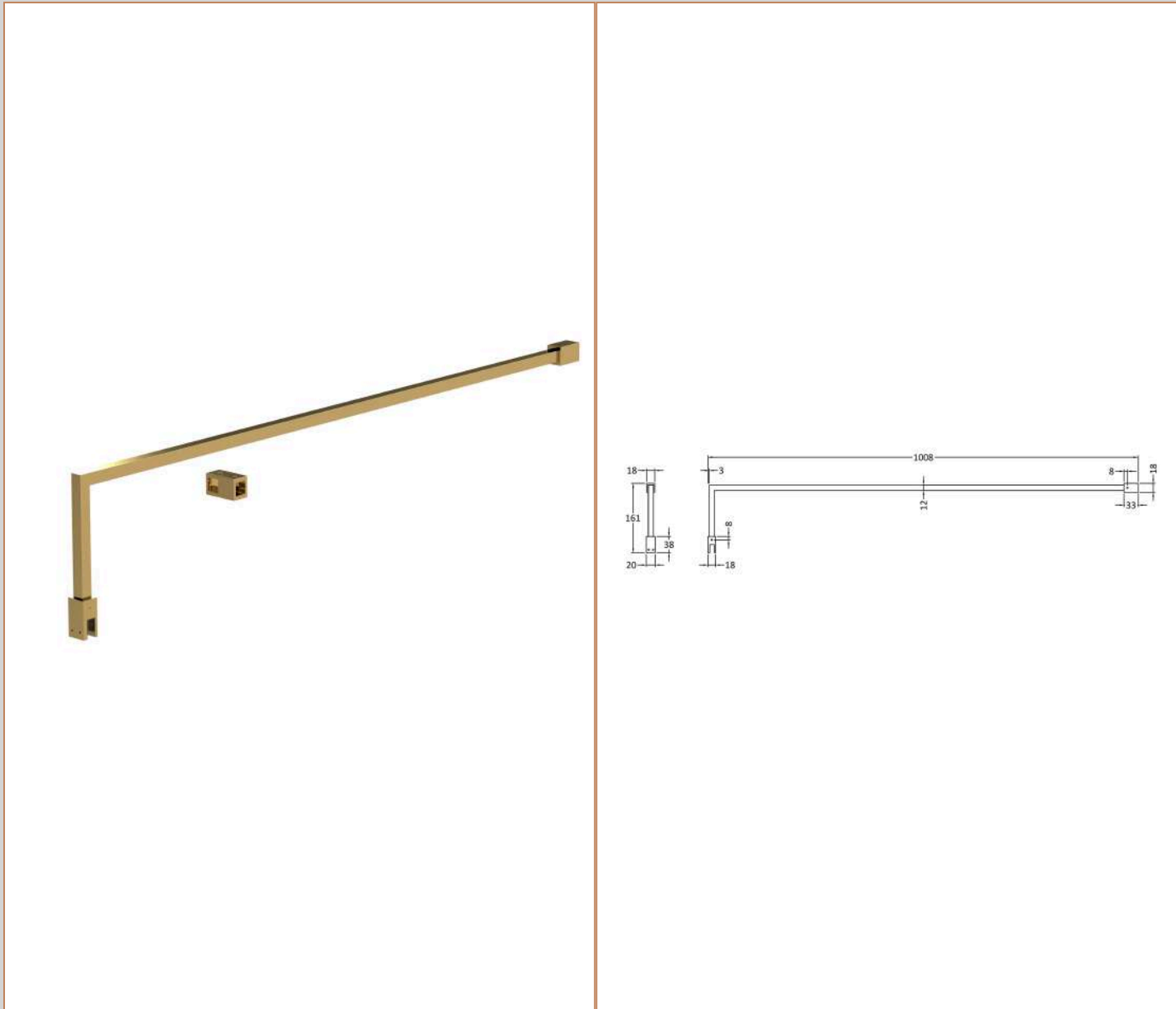
Country of Origin	China
Product Material	Aluminium
Colour/Finish	Brass
Style	Contemporary

**Sales Code:** FIX025

**Barcode:** 5056462611884

**Brand:** nuie

**Description:** Nuie Brushed Brass Wetroom Screen Support Arm



**Product Dimensions**

Product	15 x 150 x 1000mm (H x W x D)
Packaged	35 x 160 x 1020mm (H x W x D)
Nett Weight	0.67 kg
Packaged Weight	0.7 kg

**Product Details**

Country of Origin	China
Product Material	Stainless Steel
Colour/Finish	Brushed Brass
Style	Contemporary