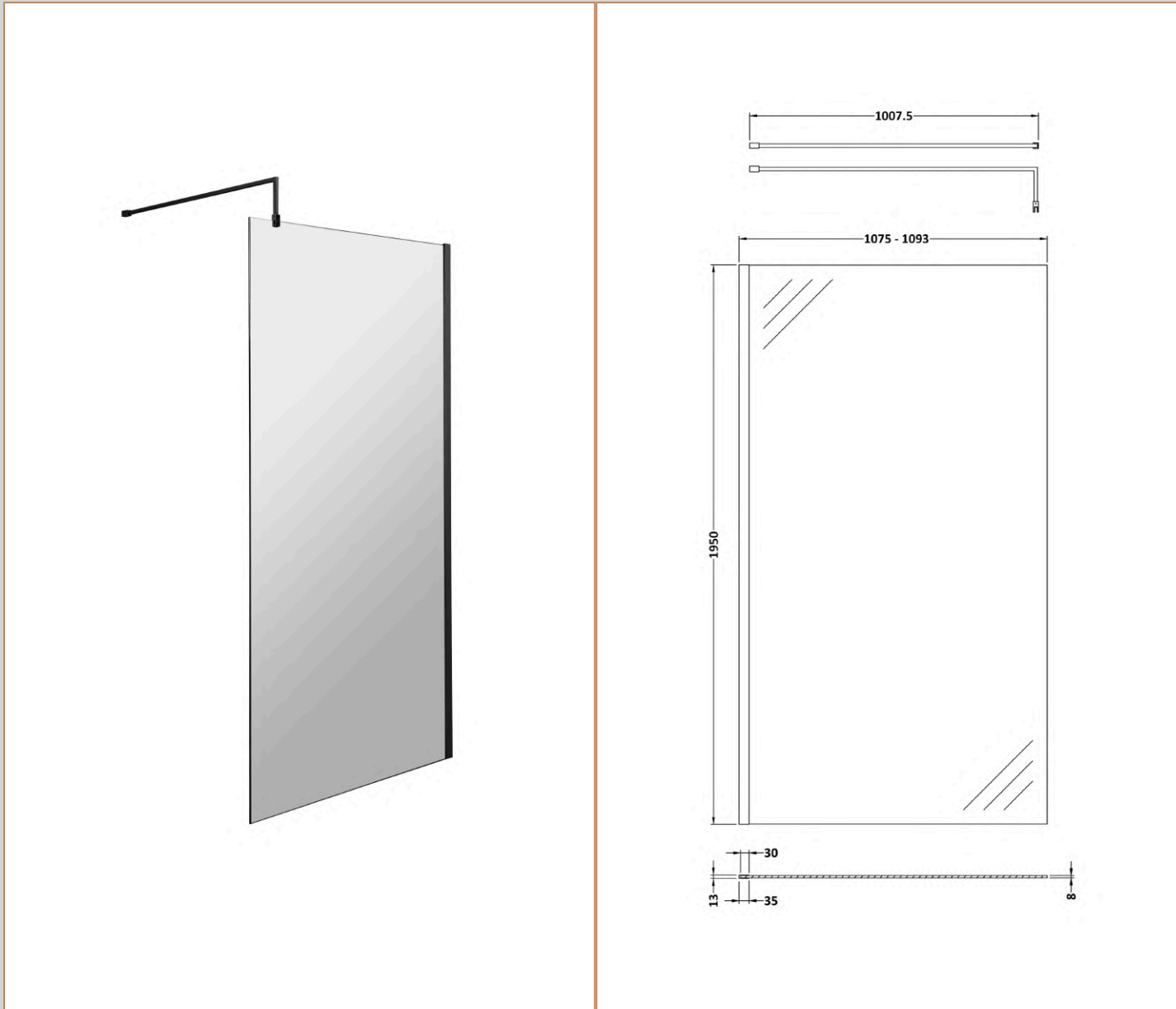


Sales Code: NWS1911BP

Barcode: 5056883732243

Brand: nuie

Description: 1100 WETROOM SCREEN



Product Dimensions

Product	1950 x 1100 x 14mm (H x W x D)
Packaged	2070 x 1150 x 60mm (H x W x D)
Nett Weight	40 kg
Packaged Weight	40 kg

Product Details

Country of Origin	China
Product Material	Aluminium
Colour/Finish	Matt Black
Style	Contemporary
Easy Clean	Yes
Adjustment Max	1093
Adjustment Min	1075
Ce Certified	Yes
Declaration Of Performance	Yes
Easy Fit	No
Enclosure Design	Semi-Frameless
Frame Finish	Matt Black
Glass Thickness	8 mm
Handles Included	No
Ukca Certified	Yes

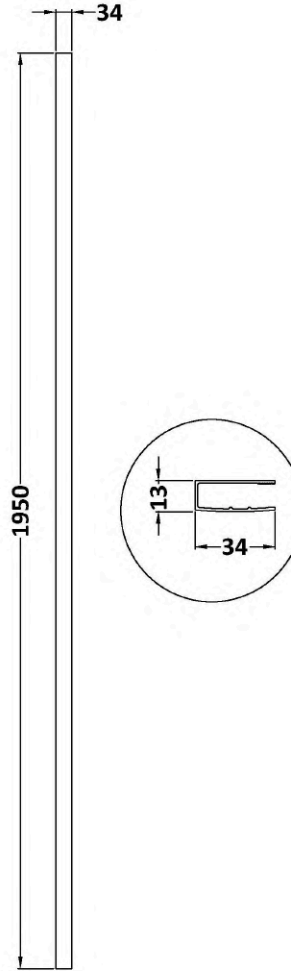
Sales Code: WRSF004

Barcode: 5056211807643

Brand: Hudson Reed

Description: Hudson Reed 1950mm Matt Black Wetroom Wall Channel

Product Image Not Available



Product Dimensions

Product	1950 x 34 x 13mm (H x W x D)
Packaged	45 x 185 x 1970mm (H x W x D)
Nett Weight	1.01 kg
Packaged Weight	1.42 kg

Product Details

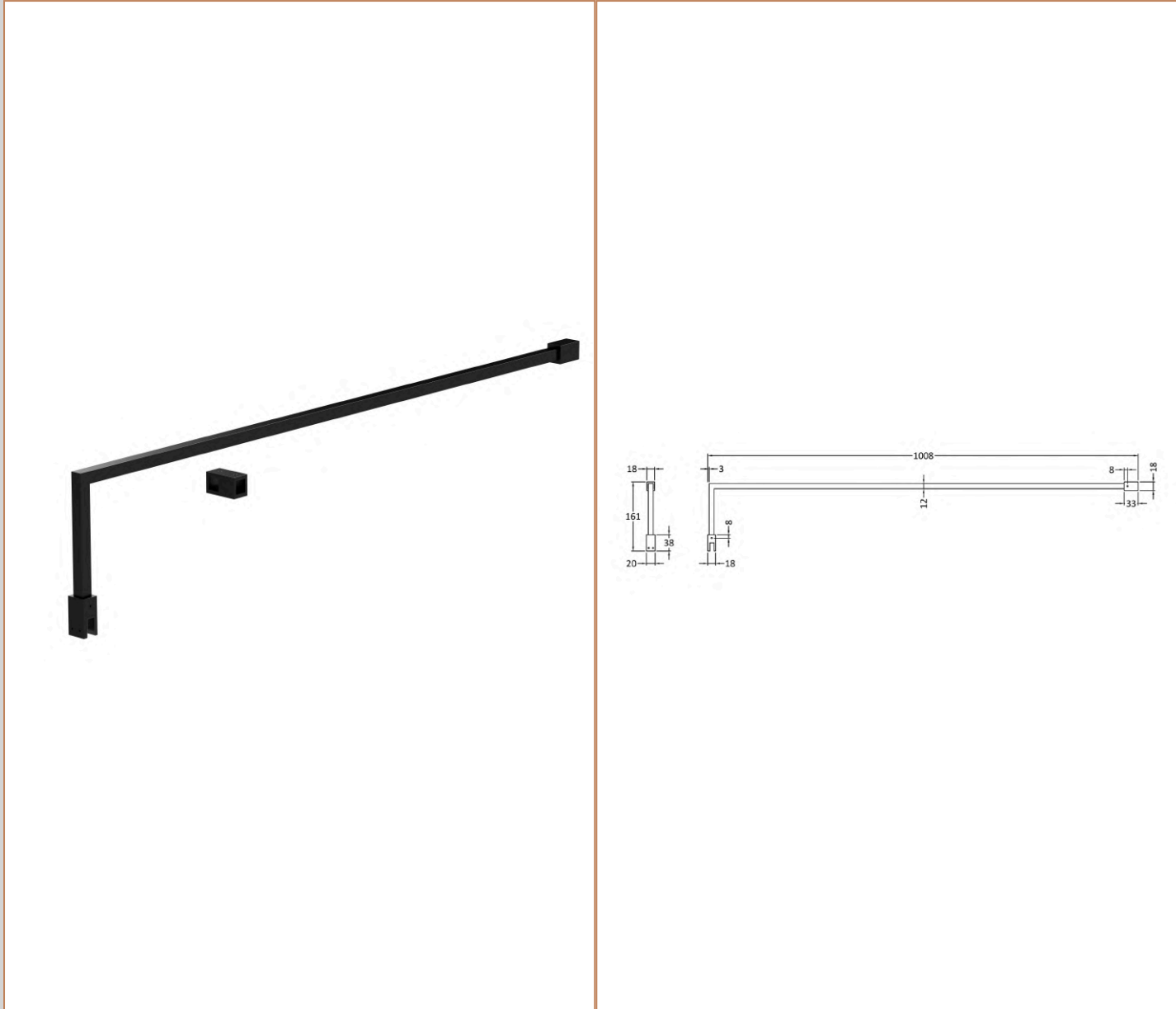
Country of Origin	China
Product Material	Aluminium
Colour/Finish	Matt Black
Style	Contemporary

Sales Code: FIX024

Barcode: 5056211847342

Brand: nuie

Description: Nuie Matt Black Wetroom Screen Support Arm



Product Dimensions

Product	15 x 150 x 1000mm (H x W x D)
Packaged	35 x 160 x 1020mm (H x W x D)
Nett Weight	0.67 kg
Packaged Weight	0.7 kg

Product Details

Country of Origin	China
Product Material	Stainless Steel
Colour/Finish	Matt Black
Style	Contemporary