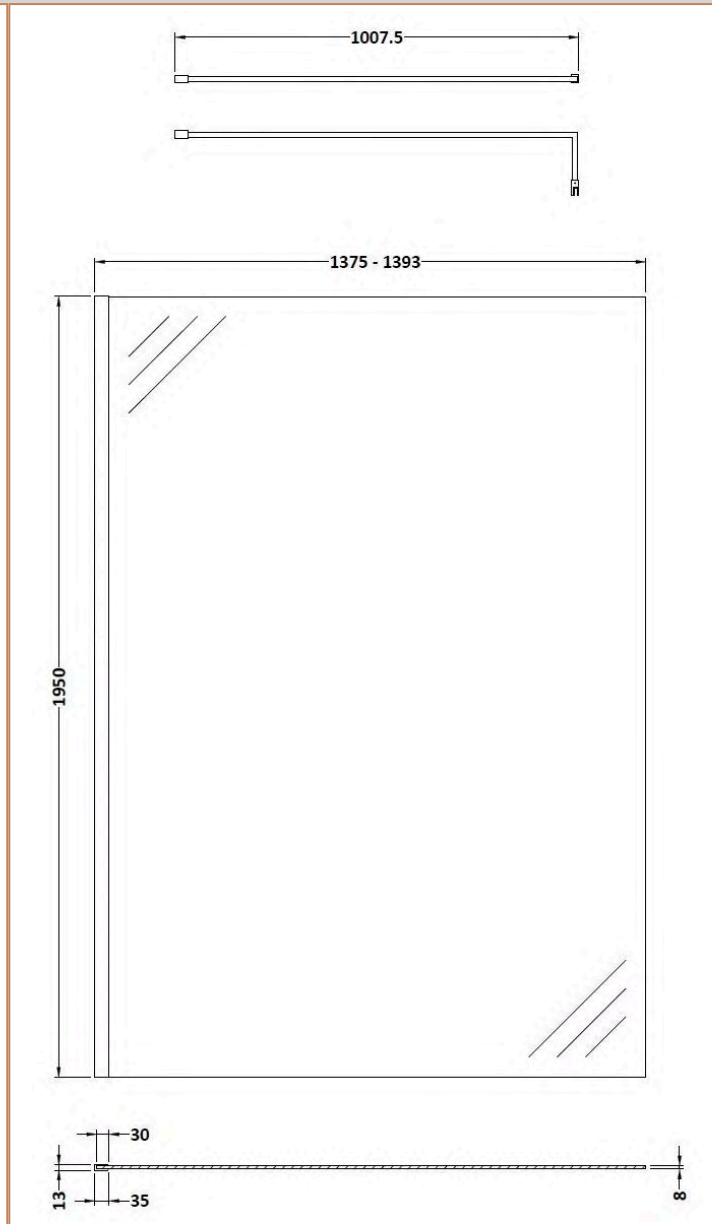
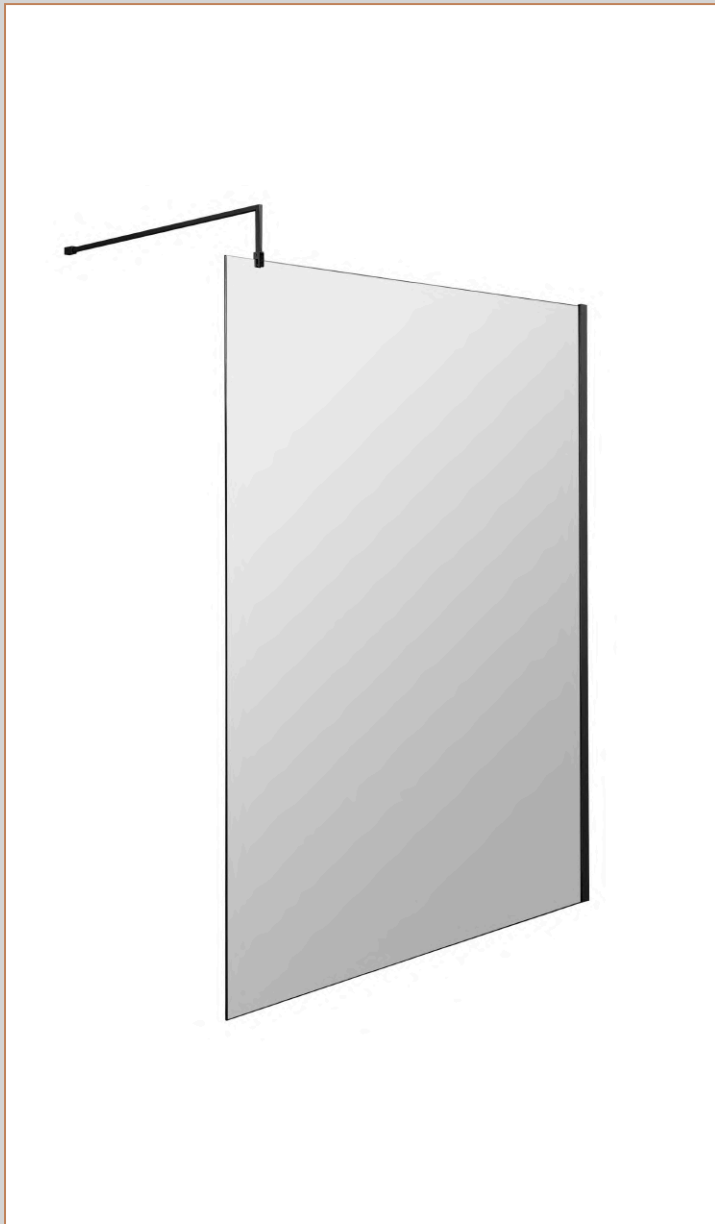


Sales Code: NWS1914BP

Barcode: 5056883732304

Brand: nuie

Description: Wetroom Screen 1400 x1950mm



Product Dimensions

Product	1950 x 1400 x 14mm (H x W x D)
Nett Weight	58.3 kg
Packaged Weight	58.3 kg

Product Details

Country of Origin	China
Product Material	Aluminium
Colour/Finish	Matt Black
Style	Contemporary
Easy Clean	Yes
Adjustment Max	1393
Adjustment Min	1375
Ce Certified	Yes
Declaration Of Performance	Yes
Easy Fit	No
Enclosure Design	Semi-Frameless
Frame Finish	Matt Black
Glass Thickness	8 mm
Handles Included	No
Ukca Certified	Yes

Sales Code: WRSB1400G

Barcode: 5056460000000

Brand: OEM

Description: Missing title



Product Dimensions

Product	1950 x 1400 x 8mm (H x W x D)
Packaged	65 x 1485 x 2010mm (H x W x D)
Nett Weight	62.7 kg
Packaged Weight	62.7 kg

Product Details

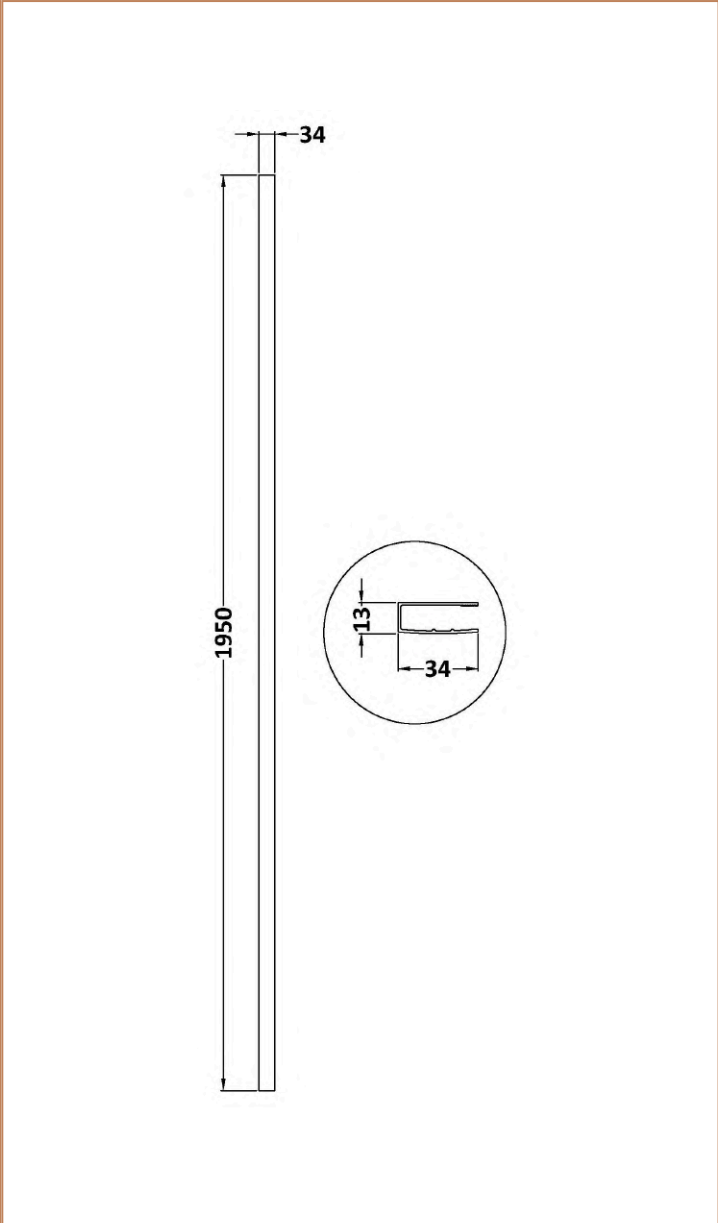
Country of Origin	China
Easy Clean	No
Ce Certified	Yes
Easy Fit	No
Enclosure Design	Frameless
Glass Thickness	8 mm

Sales Code: WRSF004

Barcode: 5056211807643

Brand: Hudson Reed

Description: Hudson Reed 1950mm Matt Black Wetroom Wall Channel



Product Dimensions

Product	1950 x 34 x 13mm (H x W x D)
Packaged	45 x 185 x 1970mm (H x W x D)
Nett Weight	1.01 kg
Packaged Weight	1.42 kg

Product Details

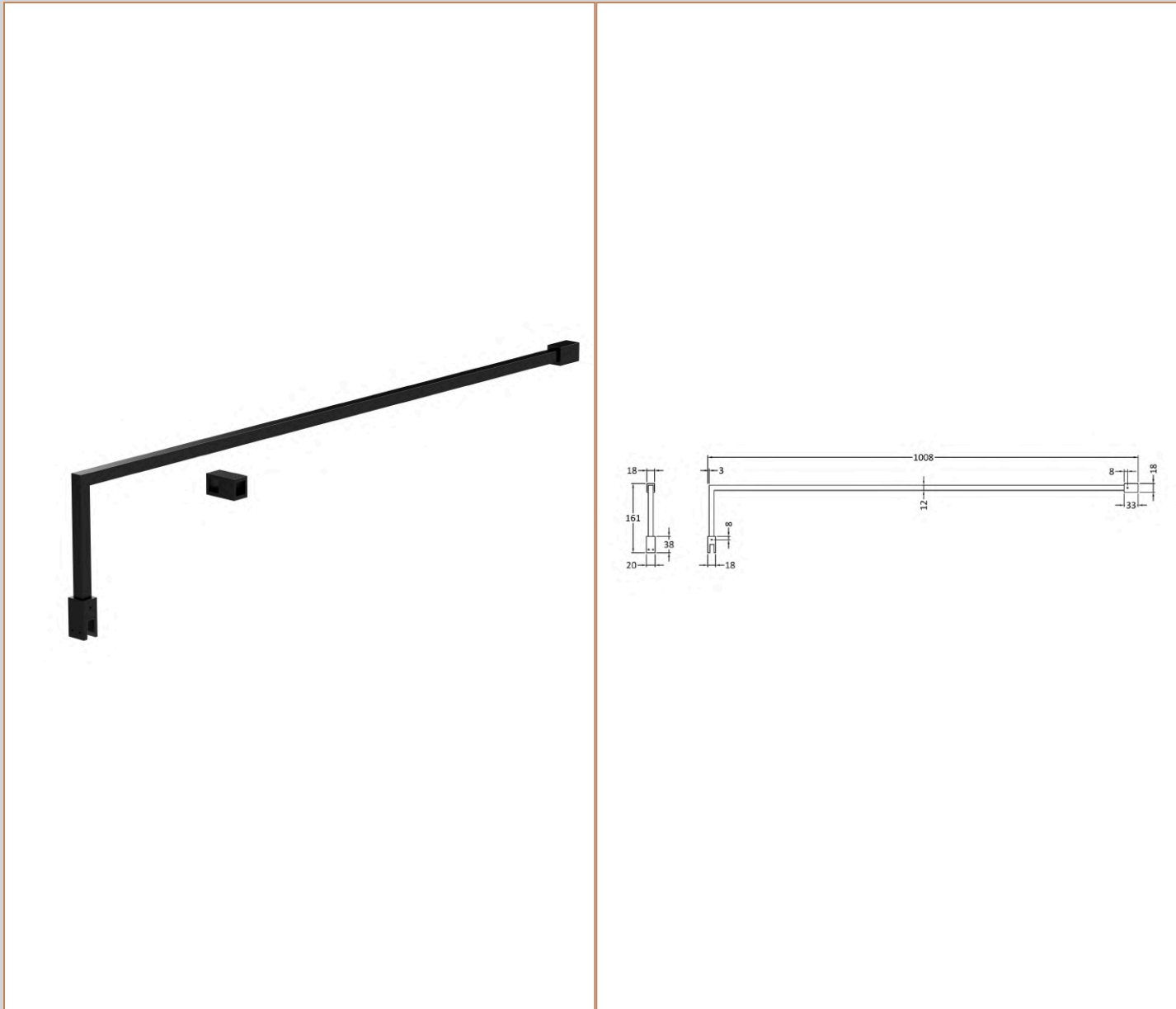
Country of Origin	China
Product Material	Aluminium
Colour/Finish	Matt Black
Style	Contemporary

Sales Code: FIX024

Barcode: 5056211847342

Brand: nuie

Description: Nuie Matt Black Wetroom Screen Support Arm



Product Dimensions

Product	15 x 150 x 1000mm (H x W x D)
Packaged	35 x 160 x 1020mm (H x W x D)
Nett Weight	0.67 kg
Packaged Weight	0.7 kg

Product Details

Country of Origin	China
Product Material	Stainless Steel
Colour/Finish	Matt Black
Style	Contemporary