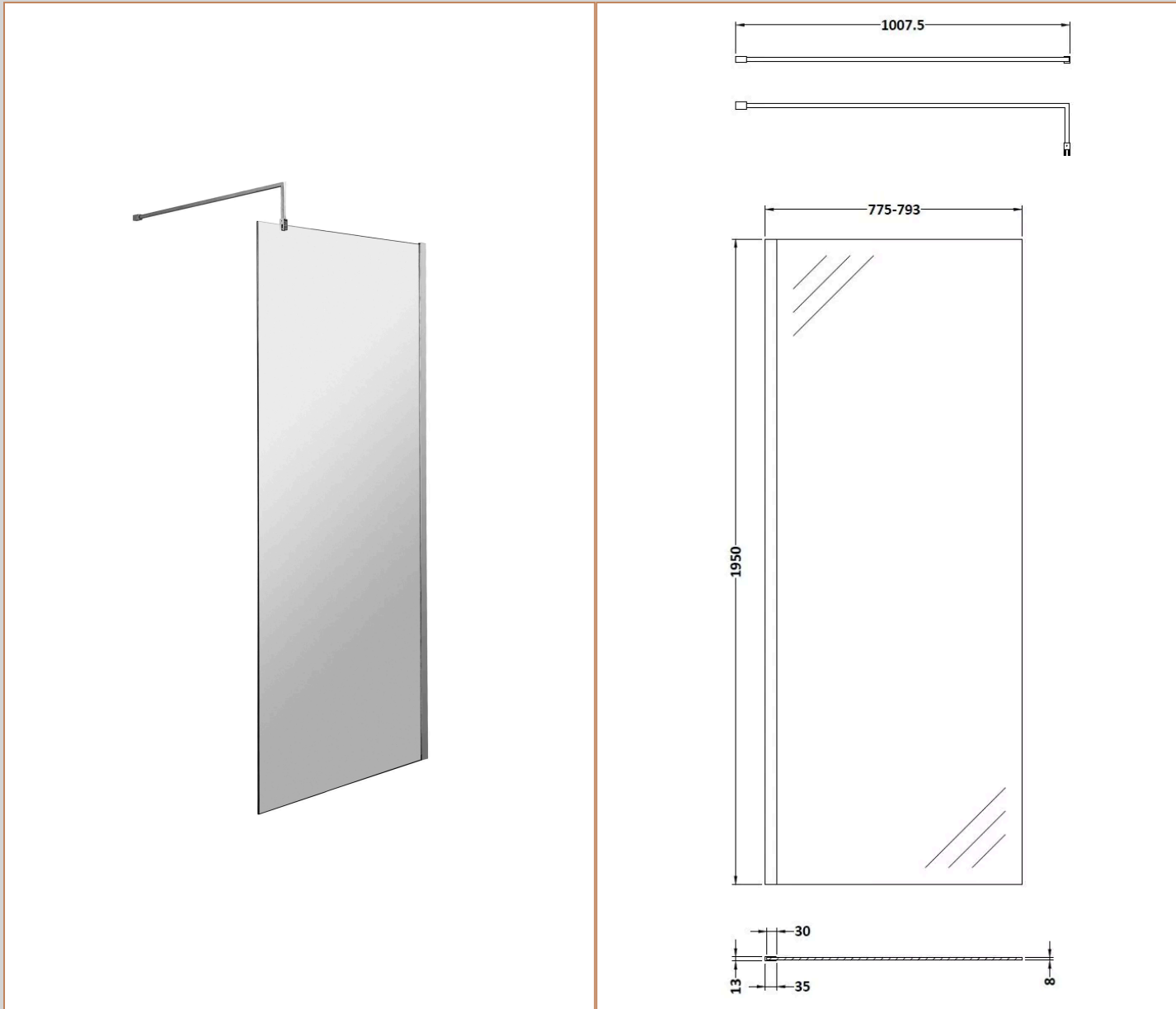


**Sales Code:** NWS1980

**Barcode:** 5056883732144

**Brand:** nuie

**Description:** Wetroom Screen 800 x1950mm



### Product Dimensions

Product	1950 x 800 x 40mm (H x W x D)
Packaged	2070 x 850 x 60mm (H x W x D)
Nett Weight	34.36 kg
Packaged Weight	34.36 kg

### Packaging Details

Label Size (mm)	50 x 100
-----------------	----------

### Product Details

Country of Origin	China
Product Material	Aluminium
Colour/Finish	Chrome
Style	Contemporary
Easy Clean	Yes
Adjustment Max	793
Adjustment Min	775
Ce Certified	Yes
Declaration Of Performance	Yes
Easy Fit	No
Enclosure Design	Semi-Frameless
Frame Finish	Chrome
Glass Thickness	8 mm
Handles Included	No
Support Bar Included	Yes
Ukca Certified	Yes

**Sales Code:** WRSB800G

**Barcode:** 5056460000000

**Brand:** OEM

**Description:** Missing title



**Product Dimensions**

Product	1950 x 800 x 8mm (H x W x D)
Packaged	65 x 830 x 2010mm (H x W x D)
Nett Weight	35.9 kg
Packaged Weight	35.9 kg

**Product Details**

Country of Origin	China
Easy Clean	No
Ce Certified	Yes
Easy Fit	No
Enclosure Design	Frameless
Glass Thickness	8 mm

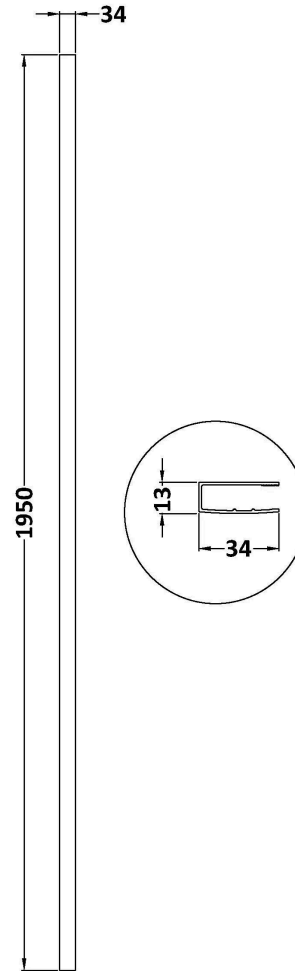
**Sales Code:** WRSF018

**Barcode:** 5056462620695

**Brand:** Hudson Reed

**Description:** Hudson Reed Chrome Wetroom Screen

*Product Image Not Available*



**Product Dimensions**

Product	1950mm (H)
Packaged	45 x 185 x 1970mm (H x W x D)
Nett Weight	0.8 kg
Packaged Weight	0.8 kg

**Product Details**

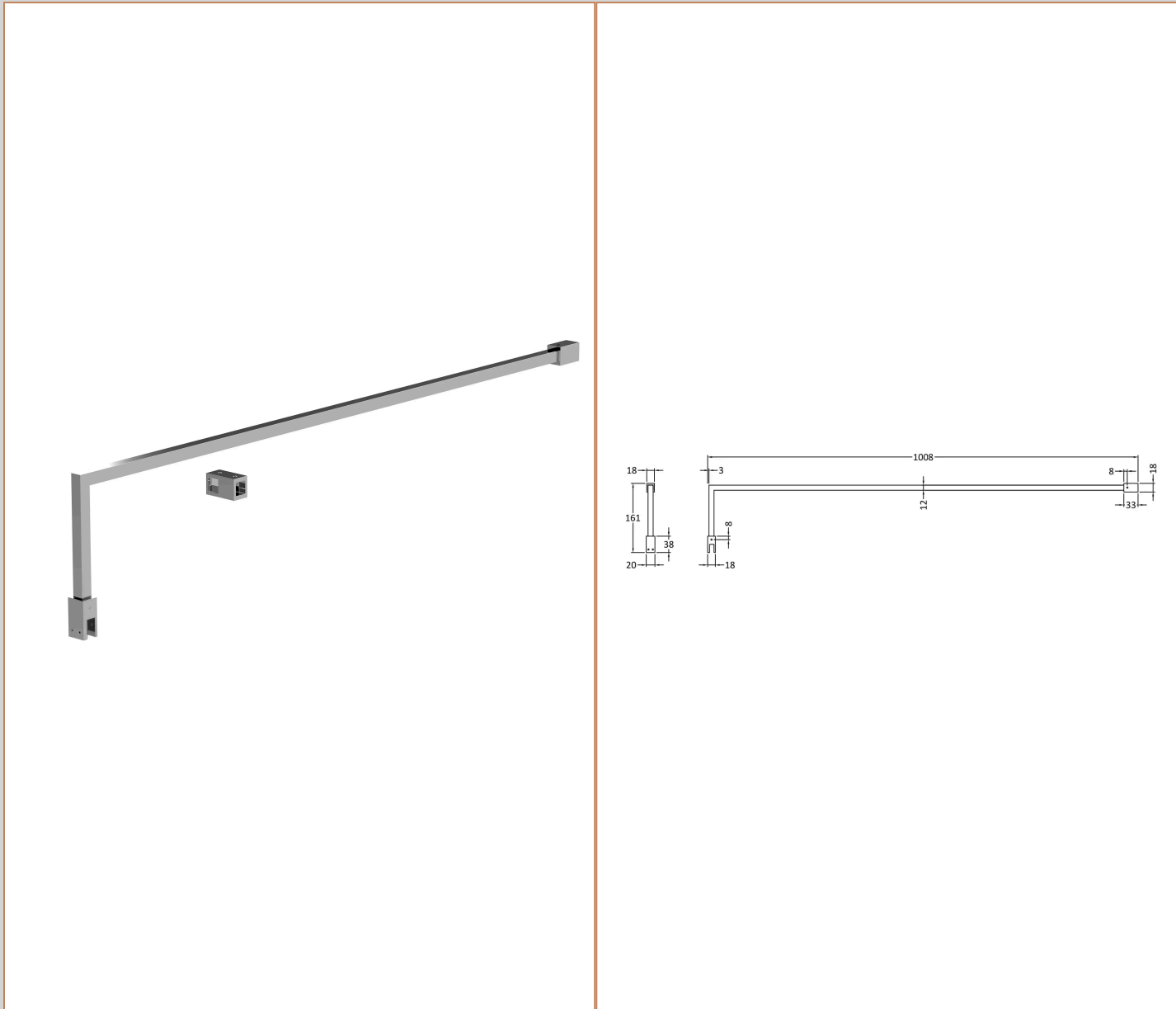
Country of Origin	China
Colour/Finish	Chrome
Ce Certified	Yes
Frame Finish	Chrome

**Sales Code:** FIX023

**Barcode:** 5056211800002

**Brand:** nuie

**Description:** Nuie Chrome Wetroom Screen Support Arm



**Product Dimensions**

Product	150 x 15 x 1000mm (H x W x D)
Packaged	1020 x 160 x 35mm (H x W x D)
Nett Weight	0.67 kg
Packaged Weight	0.7 kg

**Product Details**

Country of Origin	China
Product Material	Stainless Steel
Colour/Finish	Chrome
Style	Contemporary