

Code:MGFMR0024

BATHROOM MIRROR INSTRUCTION

IMPORTANT: Please read these instructions before commencing installation and retain for future reference.

ZONE

0

Inside the bath or shower.
Must be SELV (12V Max) due to water submersion.
Minimum rating of IP67.

1

225cm above the bath or shower.
Minimum rating of IP44.

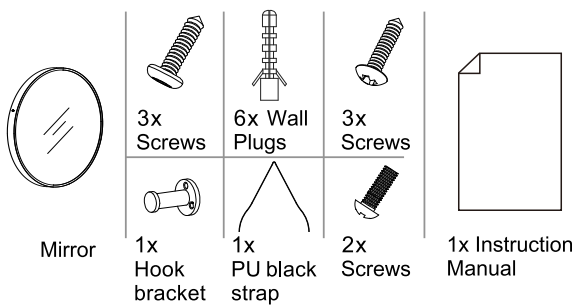
2

The area stretching to 60cm outside the bath or shower, and 60cm from the water outlet of the sink. An IP rating of at least IP44 is required.

This mirror is suitable for installation in zone 2 and the outside zones.



Components



Important Safety Information

Please read these instructions carefully before attempting to install this product. It is advisable to keep these instructions in a safe place for future reference.

This product must not be modified, if any modifications are made, it may invalidate the warranty and may render the product unsafe.

This product is for indoor use only.

The wall plugs included with this product are suitable for solid walls only. Plasterboard or stud walls may require specialized fixings which are not provided. (Always ensure that the wall plugs or fittings are correct for the wall type.)

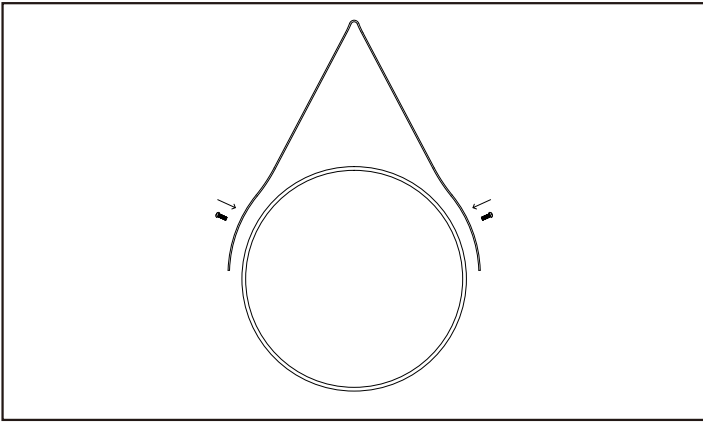
Tools Required

Magnetic Crosshead Screwdriver		Power Drill (with hammer action)	
Rubber Mallet		6MM Drill Bit (suitable for wall type)	
Spirit Level		Pencil	
Tape Measure			

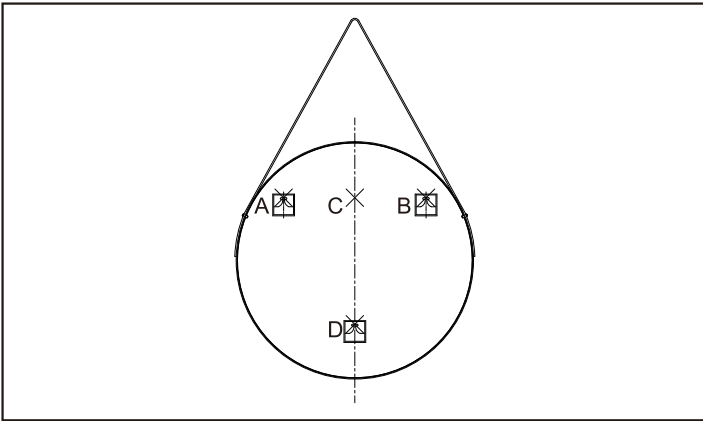
Safety Instructions

1. Install on smooth flat surface.
2. The mirror should be mounted onto a secure surface.
3. When working at heights, please use a suitable platform to work from.
4. When installing, please take care to avoid water pipes, joints and electrical cables.
5. Do not strike mirror glass with hard or pointed items.
6. Wear suitable eye protection when drilling. Be careful when using power tools near water.

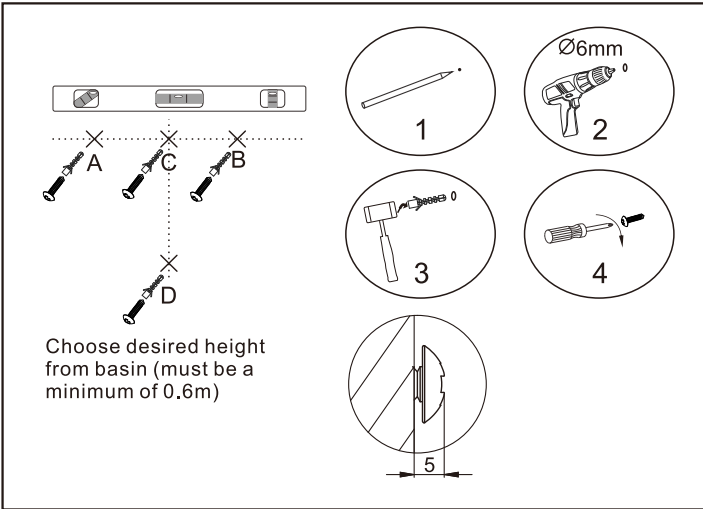
Installation



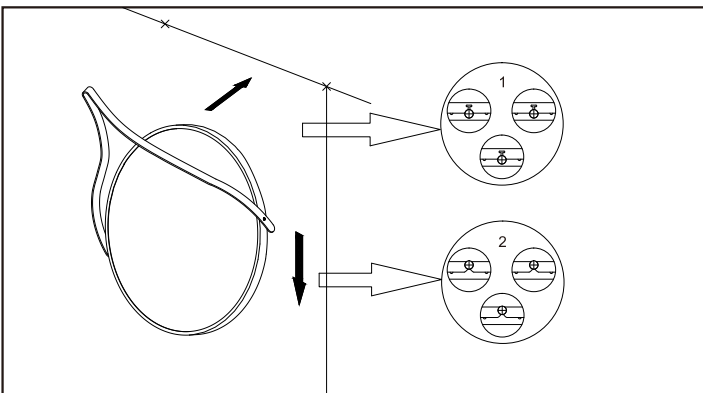
1. Use two black screws (M4*12) to fix the strap in the frame



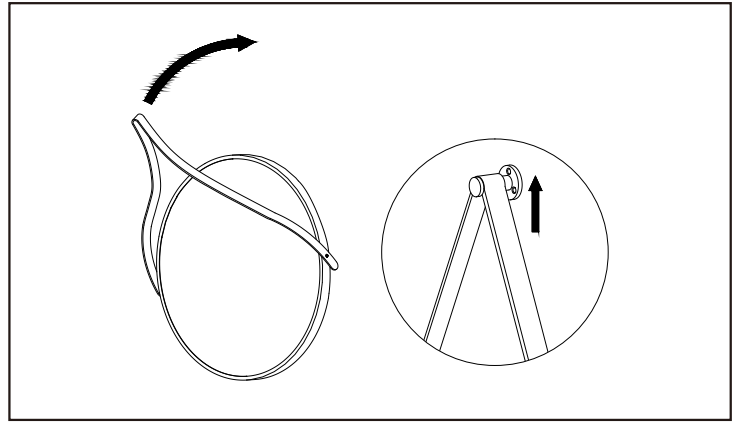
2. Measure the distance between centre of hanging holes in bracket A and B. Find the mid-point C of line segment AB. Measure the distance between C and the centre of bracket D.



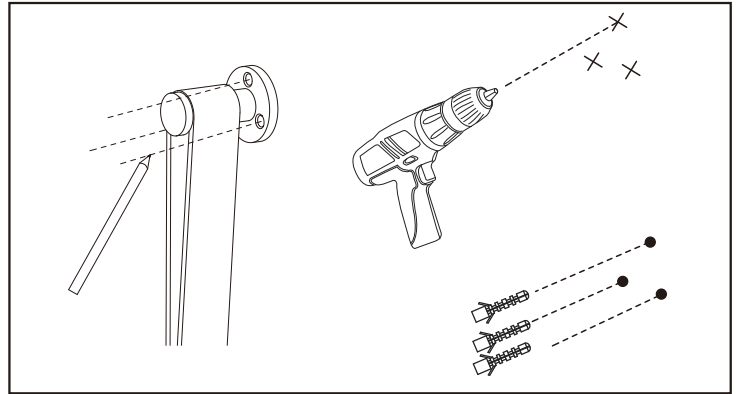
3. Choose desired height from basin (must be a minimum of 0.6m). Use a pencil to mark the positions of A, B, C, D according to the measured sizes. A, B, D are the positions for the 3 screws. Use a power drill and 6mm drill bit to drill holes. Use hammer to insert the wall plugs. Use screwdriver to tighten the screws. Note: The distance between wall and the top of screw head should be 5mm.



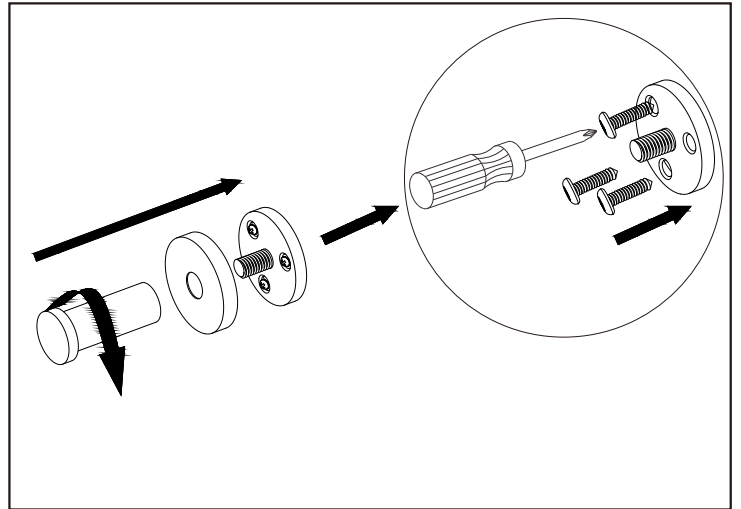
4. Hang the mirror onto the wall. Shake left and right to see if it is stable.



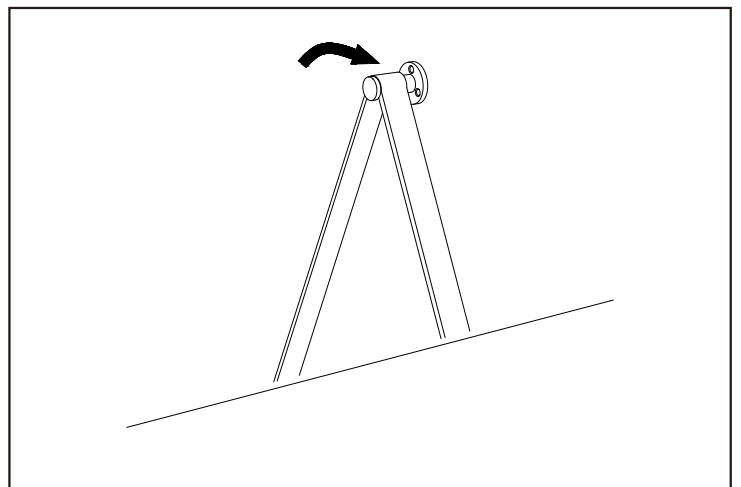
5. Place the hook bracket behind the loop of the strap, lift the strap up against the wall and ensure the hook bracket is at the highest position in the center line of the mirror.



6. Use a pencil to mark the positions through the holes in the hook bracket, use a power drill and 6mm drill bit to drill holes. Use hammer to insert the wall plugs.



7. Insert screws through the hook bracket and fasten in place. Once secure, place the cover over the bracket and screw on the hook.



8. Loop the strap over the hook.

Maintenance & Care

To keep the finish of this product, wipe over with soft cloth periodically.

Do not use harsh chemical solvents, this may dis-colour or damage the finish.
