

## INSTALLATION INSTRUCTIONS

[www.aquadart.co.uk](http://www.aquadart.co.uk)

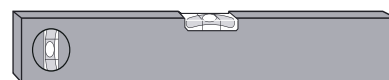
### Tools Required



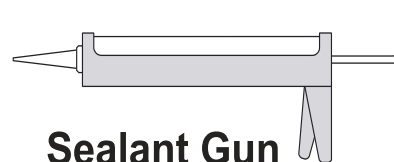
**Drill**



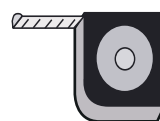
**8mm Masonry Drill  
2.75mm HSS Drill**



**Spirit level**



**Sealant Gun**



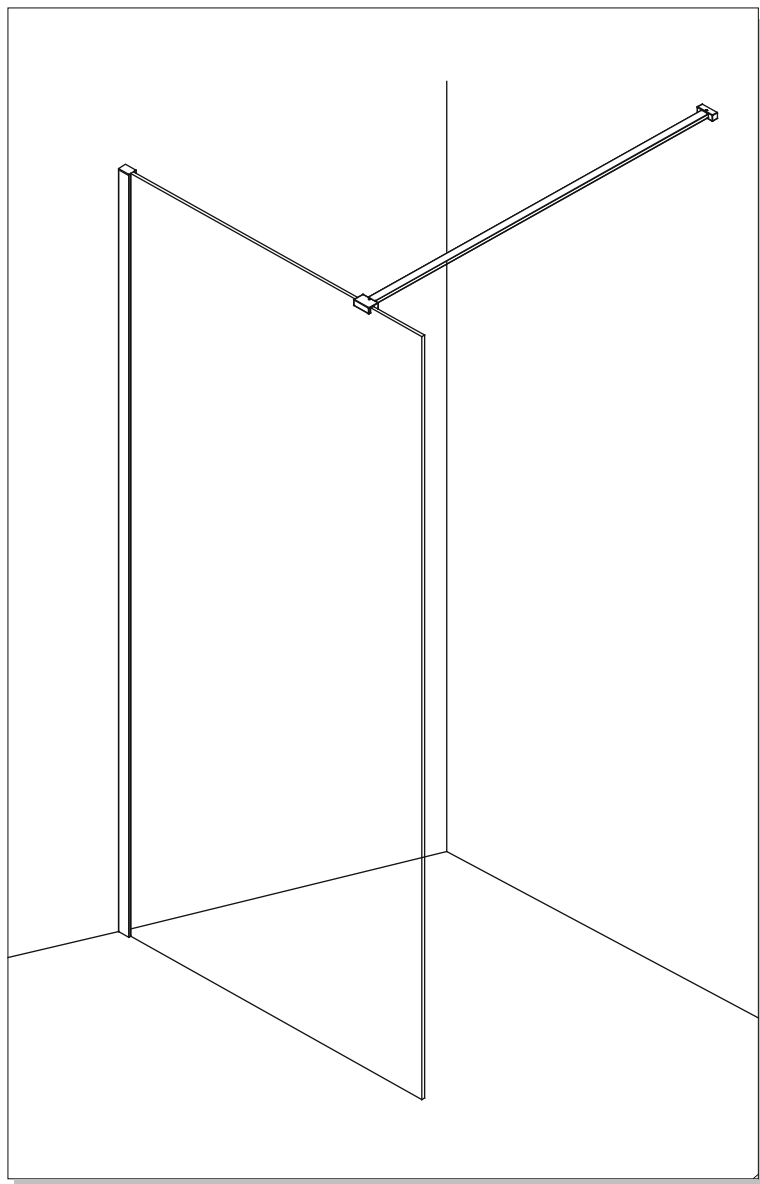
**Tape Measure**



**Pencil**



**PH2 TYPE  
Screwdriver**



Please note hand tools **NOT** supplied.

### IMPORTANT

The screen can be constructed either way up, for left or right hand opening.

These instructions assume that installation is done against solid/tiled walls.

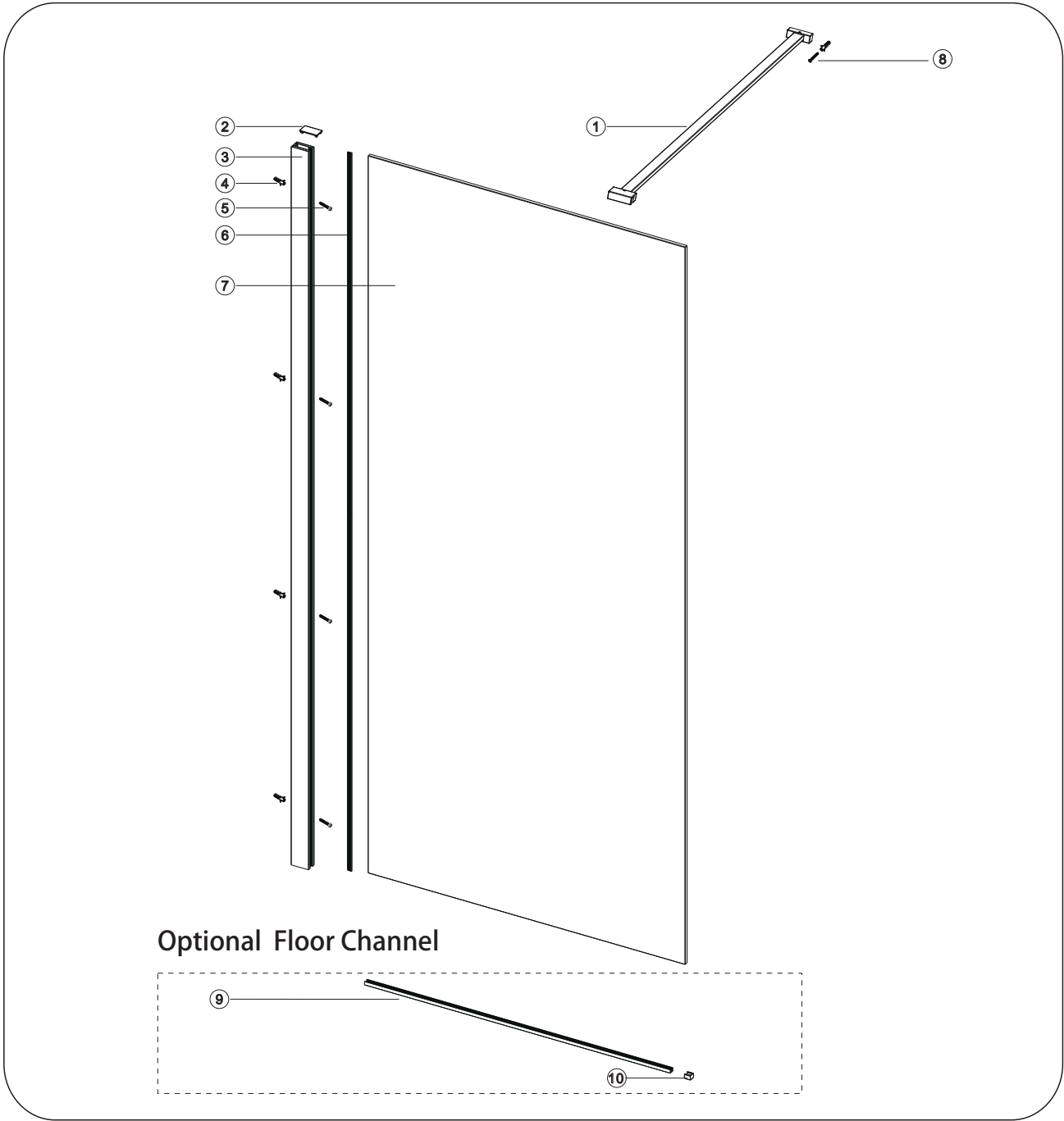
The wall plugs supplied with the installation kit are for use on solid walls. Hollow or stud -partition walls will require alternative fixings. Please consult with a reputable trades person or hardware supplier for the correct type of fixing.

It may also be necessary to consult your tiling supplier about the correct method for drilling your tiles.

Please check this product for damage prior to starting the installation. No claims can be made after the product has been fitted. This is a 2 person installation. Please note the minimum and maximum adjustment for this product are based on perfectly plumb walls.

**USE SAFETY EYE-WEAR WHEN DRILLING**

**COMPONENTS AND BOX CONTENTS**

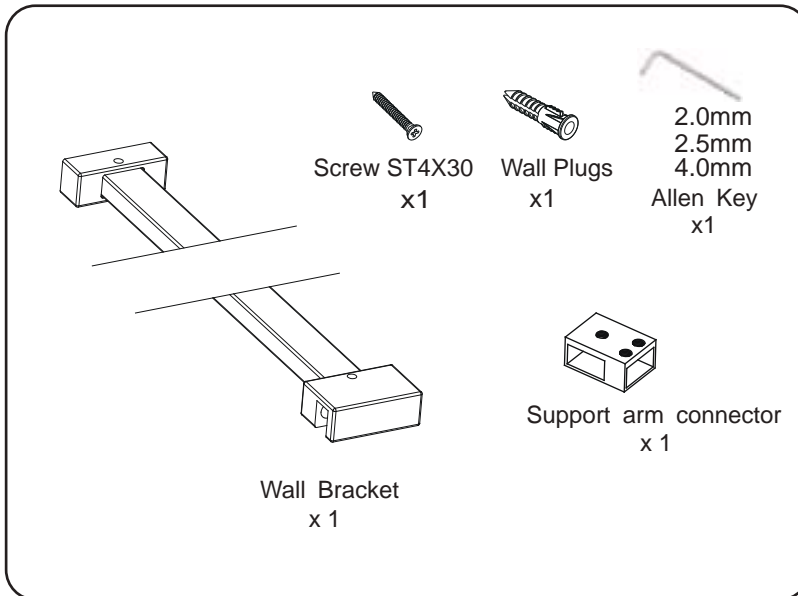
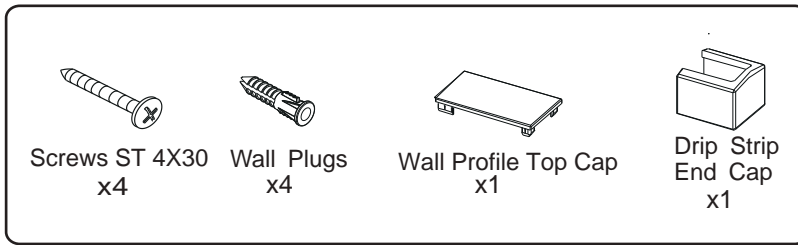


**Box Contents**

| NO. | Description          | Qty | NO. | Description           | Qty |
|-----|----------------------|-----|-----|-----------------------|-----|
| 1   | Support Arm          | 1   | 6   | Vertical Seal         | 1   |
| 2   | Wall Profile Top Cap | 1   | 7   | Glass Panel           | 1   |
| 3   | Wall Profile         | 1   | 8   | Screw ST4x30          | 1   |
| 4   | Wall Plugs           | 5   | 9   | Floor Channel         | 1   |
| 5   | Screw ST4x30         | 4   | 10  | Floor Channel End Cap | 1   |

## FIXING KIT COMPONENTS SITE CONDITIONS

### FIXING KIT



### IMPORTANT - Missing Components

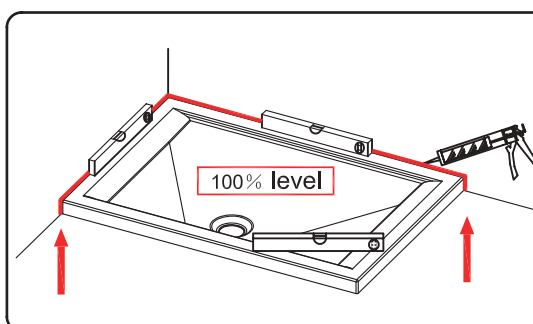
Please check this product for missing components prior to installation.

For spare parts visit [www.aquadart.co.uk](http://www.aquadart.co.uk)

### IMPORTANT - Installation site

1. Ensure the top surface of the shower tray on which the enclosure will be installed is level in every direction.
2. The tiles or other wall finishing should be effectively sealed at tray edges.
3. Tiles should extend at least to the corner of the tray and a minimum of 2.0 meters from the top of the tray.

### PROCEDURE

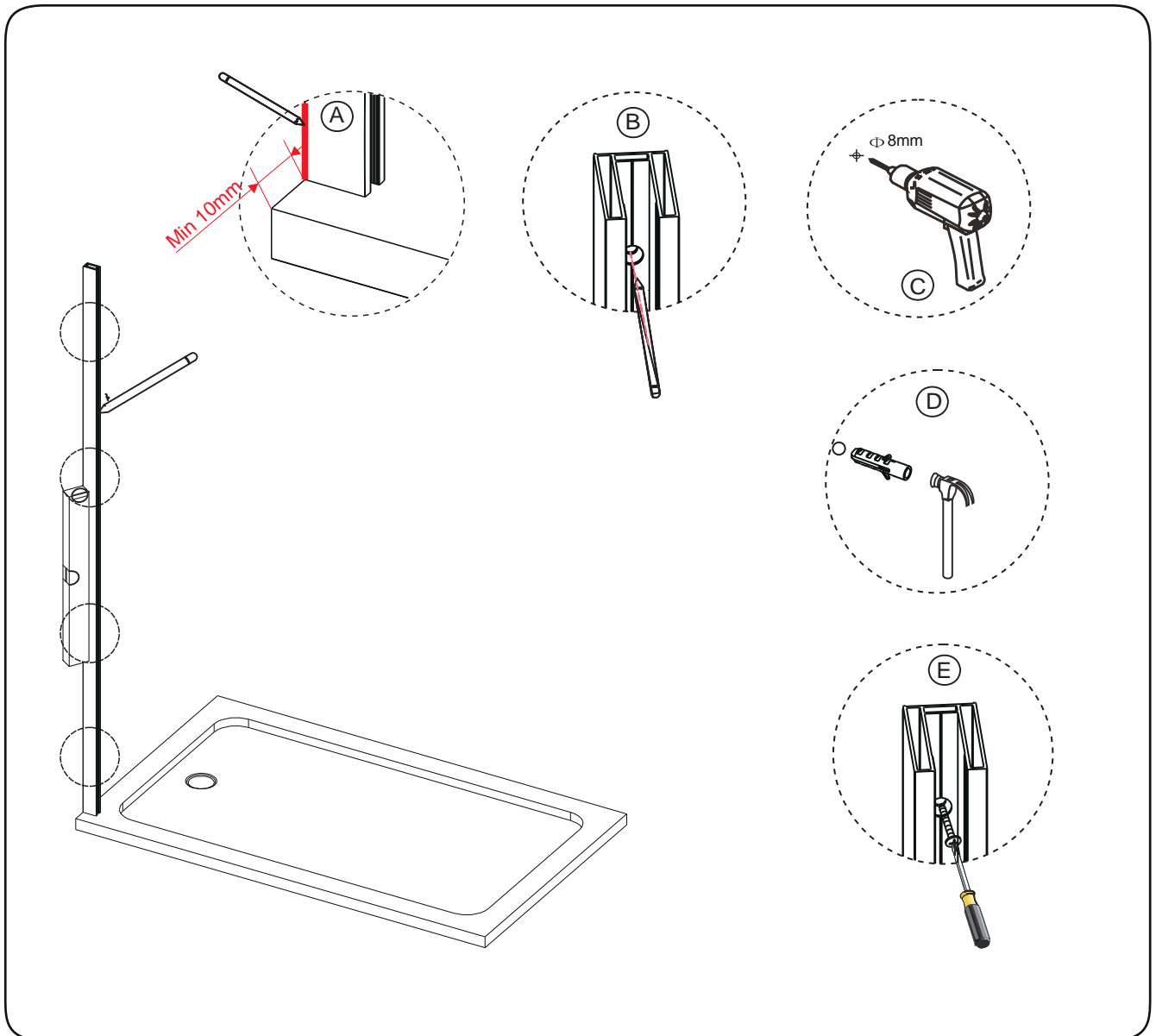


#### TRAY MUST BE 100% LEVEL IN ALL DIRECTIONS

Ensure the shower tray is level in all directions and is properly sealed to the wall. The wall must be tiled down to the top edge of the tray. **Do not angle out bottom tile.**

**TRAY MUST BE SEALED FULLY AROUND WHERE THE TRAY MEETS THE WALL.**

## FIX FRONT PANEL WALL PROFILE



### Step 1.

Place the wall profile onto the edge of the tray, roughly 10mm from the front of the shower tray edge. Ensure the wall profile is level to the wall. If the panel is fitted without a tray, please ignore Diagram A.

### Step 2.

Mark the position for fixing the wall profile to the wall through the 4 pre-drilled holes in the wall profile (Diagram B).

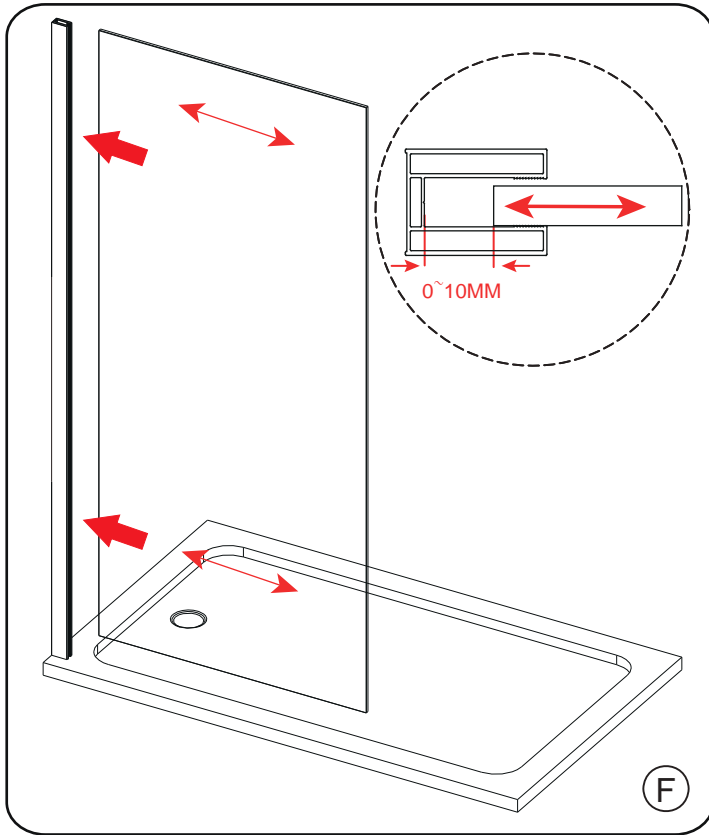
### Step 3.

Drill the holes on the wall through the marked points with 8mm masonry drill bit then insert the wall plugs (Diagram C/D)

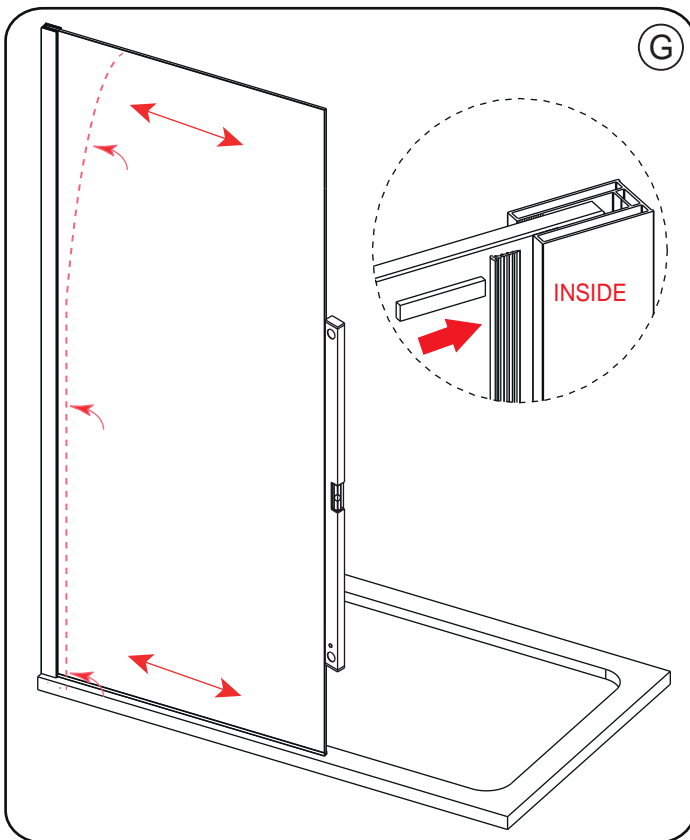
### Step 4.

Fix the wall profile to the wall with 4 ST 4x 30 screws (Diagram E)

## FIX FRONT GLASS PANEL

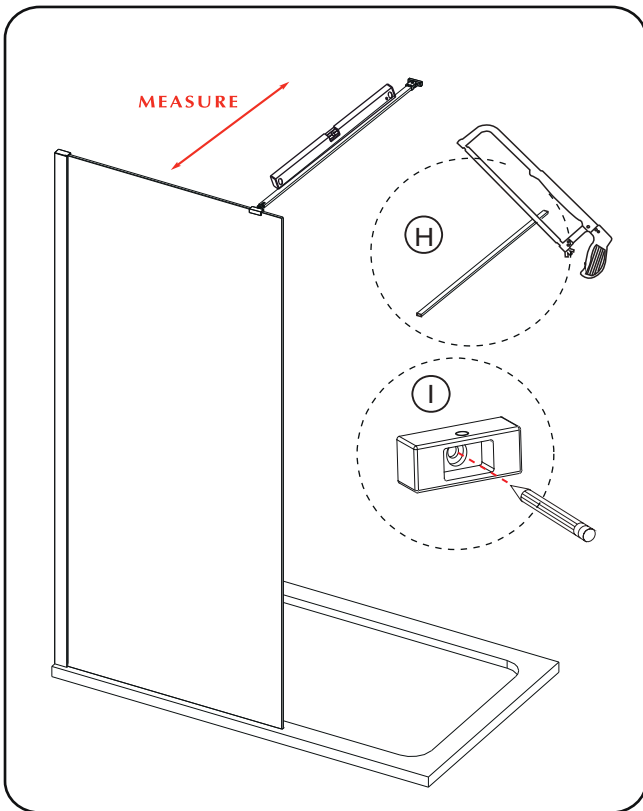


Step 5.  
Push the glass panel onto the wall profile .



Step 6.  
After the glass panel is in its final position , press the seal into the wall profile securing from bottom to top (DiagramG) .

## FIX WALL BRACKET

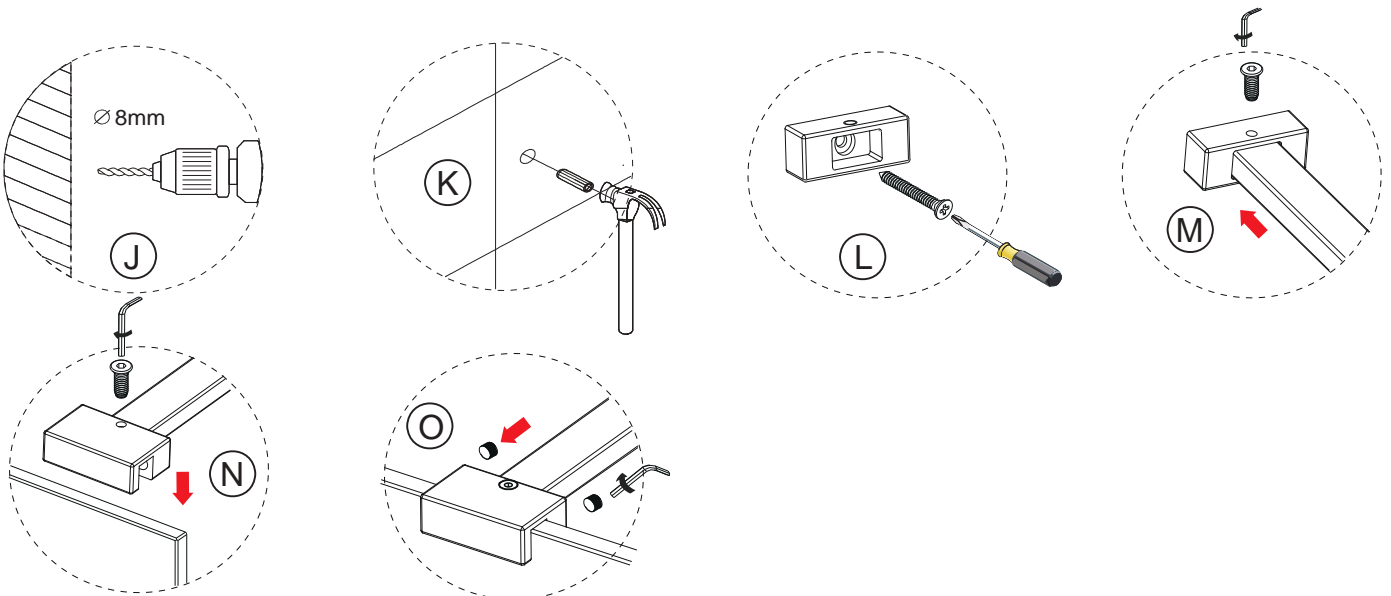


Step 7.

Measure the support bar tube length then cut it to the required size (Diagram H).

Step 8.

Fit the support bar onto the glass panel, ensure the support bar is level then mark the wall fixing hole onto the wall (Diagram I).



Step 9.

Drill the hole onto the wall through the marked points using 8mm masonry drill bit then insert wall plug(Diagram J/K).

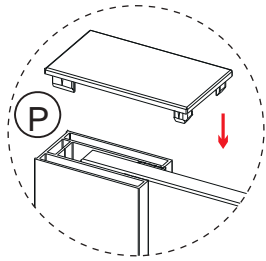
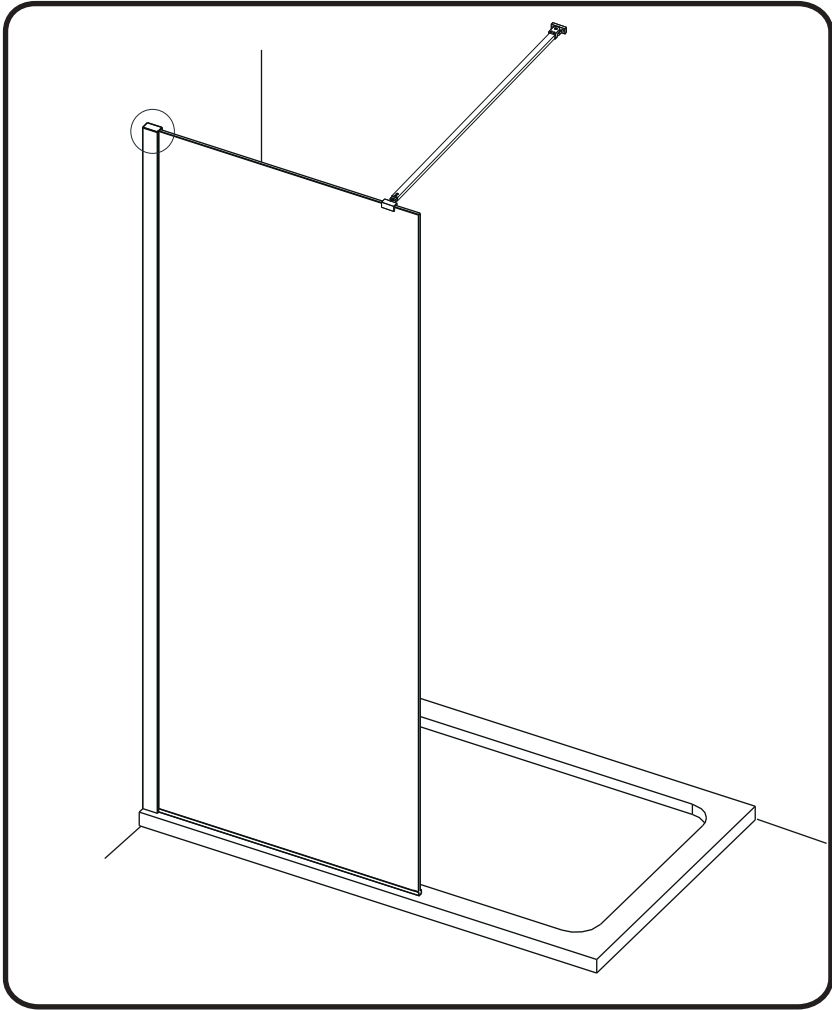
Step 10.

Secure the wall fixing onto the wall using ST 4 x 30 screw then fix the support bar onto the wall fixing (Diagram L/M).

Step 11.

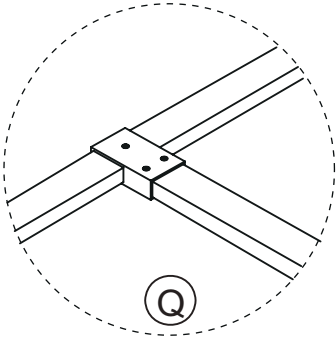
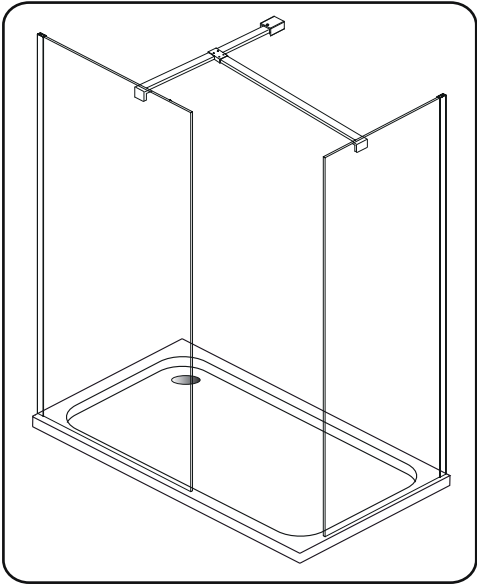
Secure the glass clamp onto the glass using 2 M8 grub screws (Diagram N/O).

**FIX FRONT PANEL SUPPORT BAR**



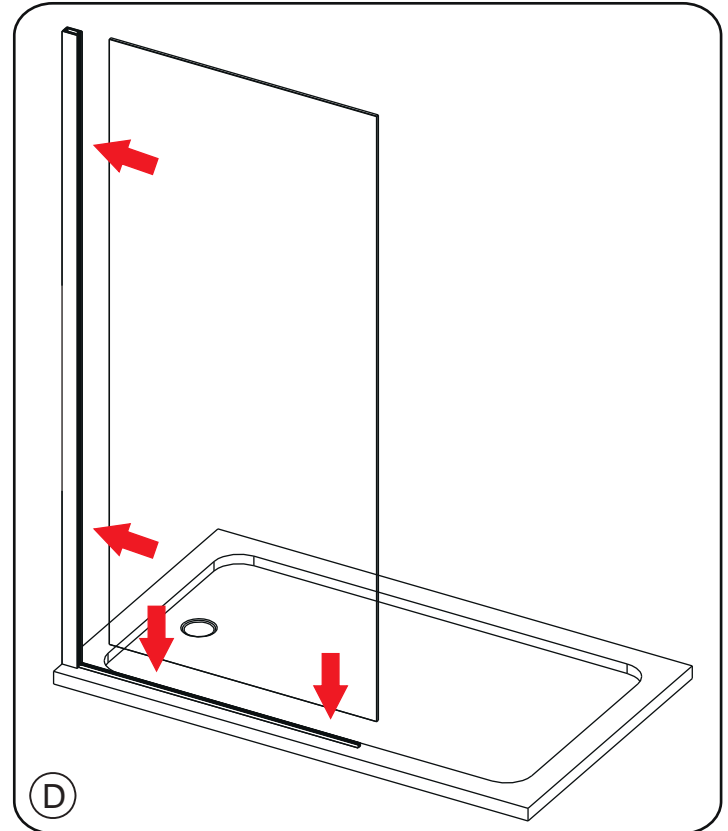
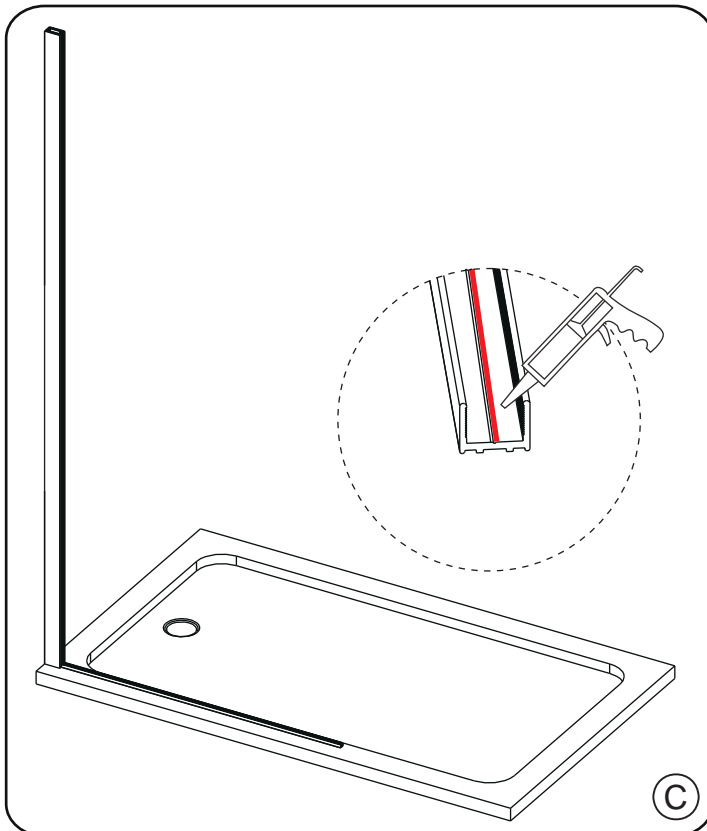
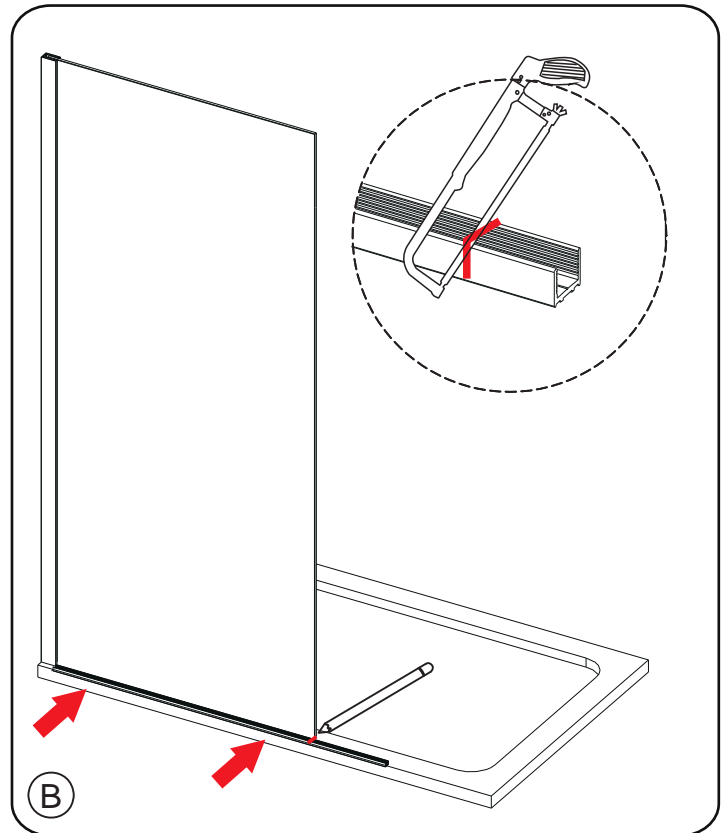
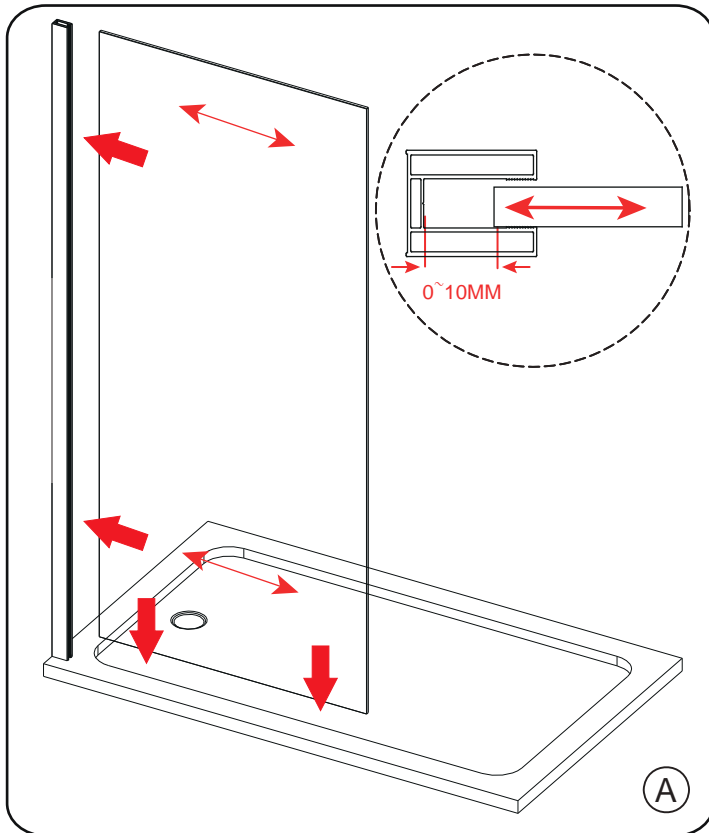
Step 12.

Fit the top cap onto the wall profile (Diagram P)



T-piece connector for end panel support bar

## FIX OPTIONAL FLOOR CHANNEL



Step 1.  
Push the glass panel onto the wall profile (Diagram A).

Step 2.

Put the floor channel onto the tray then mark a line onto the profile, cut the profile through marked line to get required length (Diagram B).

Step 3.

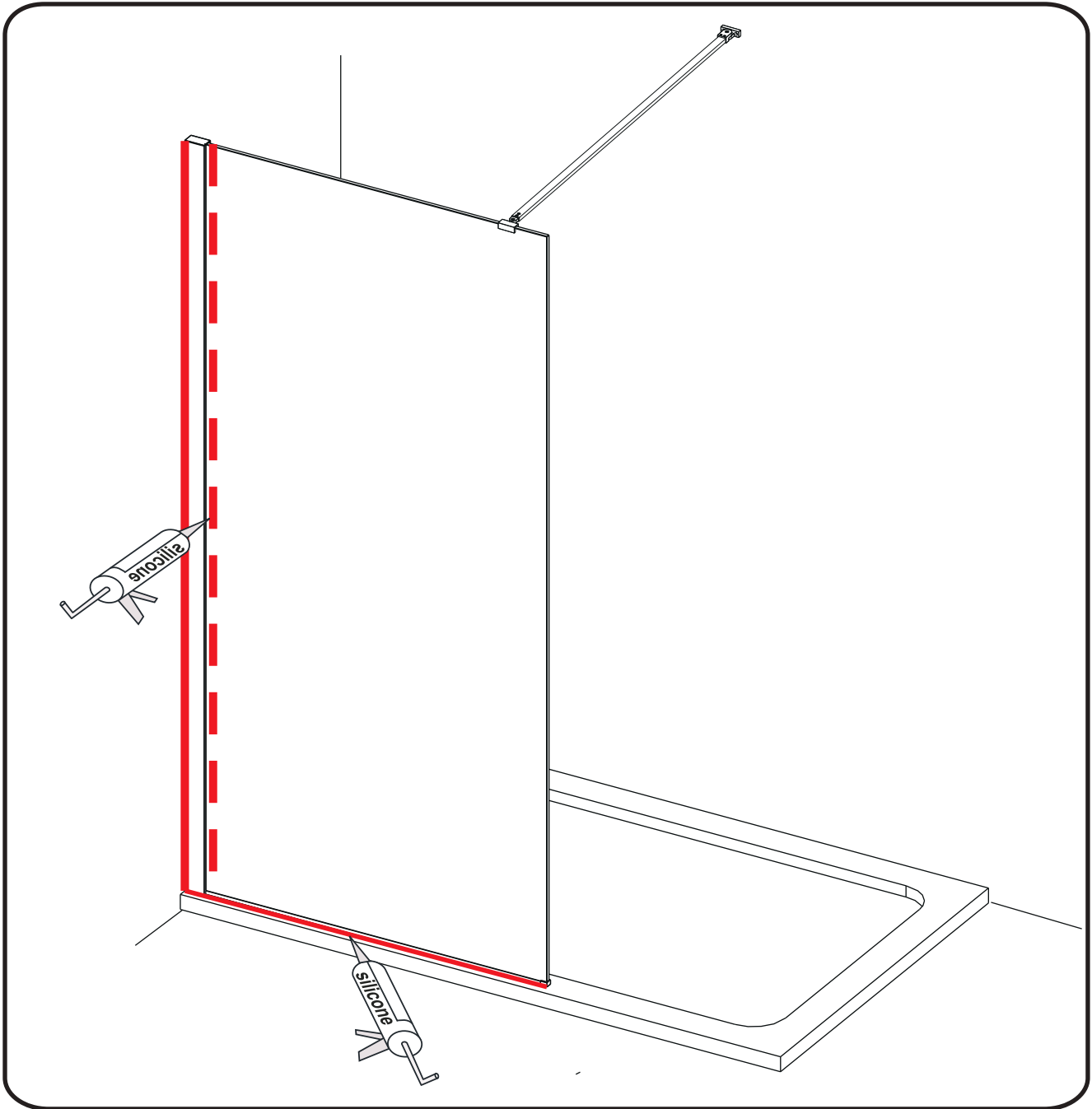
Drop the silicone sealant into the groove of the floor channel (Diagram C).

Step 4.

Carefully lift the glass panel and insert it onto the floor channel then push it onto the wall profile (Diagram D).



## APPLYING SILICONE SEALANT



**24 HRS**



**DO NOT USE THE  
ENCLOSURE FOR  
24 HOURS AFTER  
SEALING**

### Applying Silicone Sealant

#### Sealing Inside

Seal from the top of the wall profile to the bottom on the **INSIDE** between the wall profile and the wall.

**IMPORTANT:** Do not apply sealant on inside of the tray.

#### Sealing Outside

Seal from the top of the wall profile to the bottom between the wall profile and tiles on both sides. Also seal along the bottom where the glass meets the tray.

## AFTERCARE

### Cleaning Instructions

It is important to clean your Aquadart shower enclosure after every use. Please wipe down all glass and metal parts with a clean soft cloth. Ensure that all residual water on the glass is removed after every use.

### Usage

For reliable, watertight performance from your Aquadart enclosure your shower head should not be positioned so that the shower sprays directly onto the enclosure door. Failure to comply with this may cause the shower to leak. Outward opening doors may cause water to drip onto the floor, please ensure that the floor covering immediately outside the enclosure will not be affected by water.



This product has been treated with Clean & Clear™ easy clean glass treatment, a protective barrier which creates a 'non-stick' surface on your glass, helping to resist lime scale build up and water spots. For further information on Clean & Clear™ please visit [www.aquadart.co.uk](http://www.aquadart.co.uk)

### Aftercare

Clean & Clear™ glass can be cleaned with any suitable nonabrasive glass cleaner - with PH value of between 3-11; the coating will not be damaged. Avoid surfactants and heavily perfumed products. Vinegar and water based products are very effective. Do not use abrasive scrubbing cleaners or equipment for cleaning.

### Warranty

Limited 5 year Warranty for Clean & Clear™ treatment: To guarantee treated surfaces will remain more repellent than untreated glass for 5 years from start of use, as long as basic manufacturer maintenance recommendations are followed and no harsh or abrasive cleaners are used.

#### AQUADART PRODUCTS

North Dean Road, Keighley, West Yorkshire, BD22 6QY

For technical / aftersales queries, please visit our website : [www.aquadart.co.uk](http://www.aquadart.co.uk)

or Sales Tel : 0845 0262 55 Fax : 01535 613831 Technical : 01535 613860

