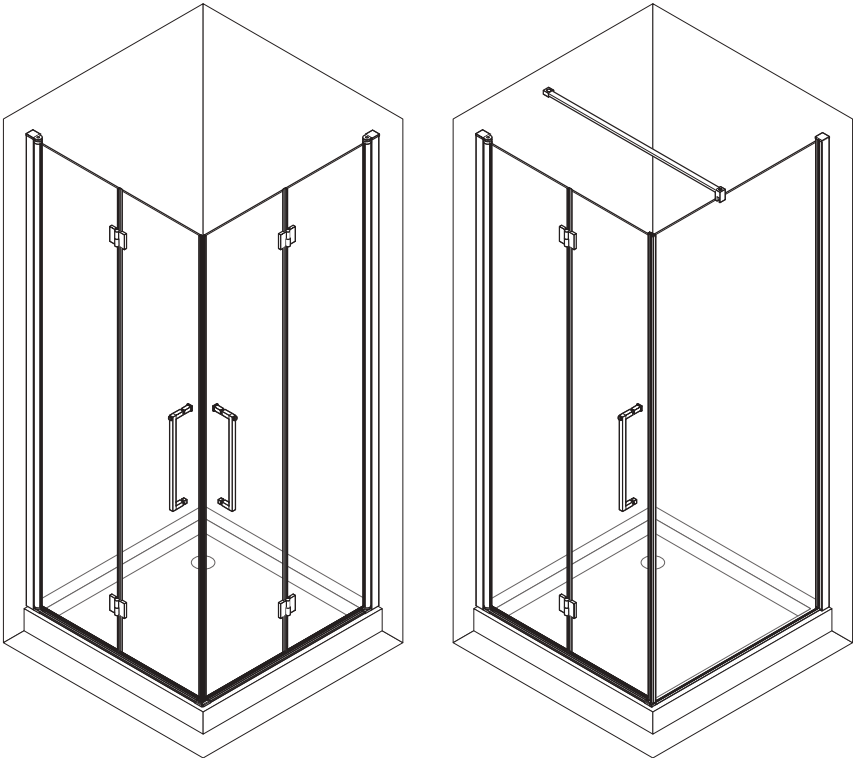
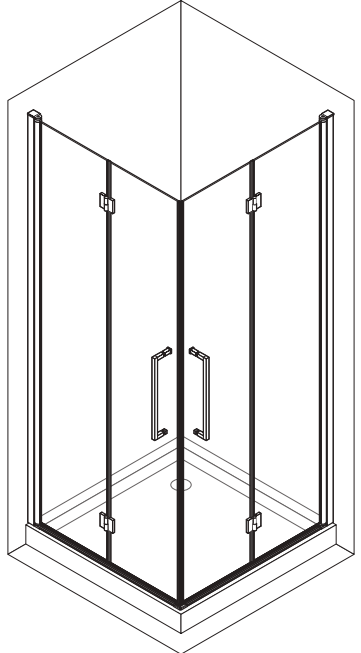


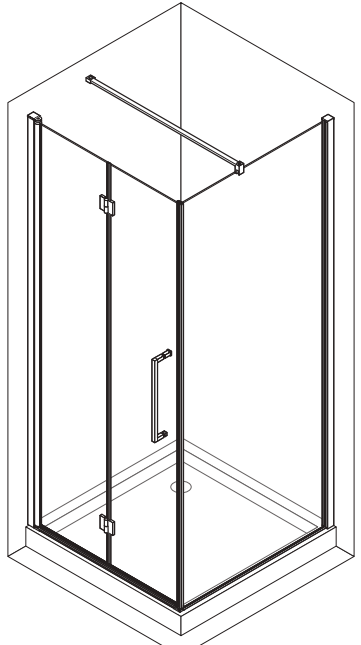
2GS

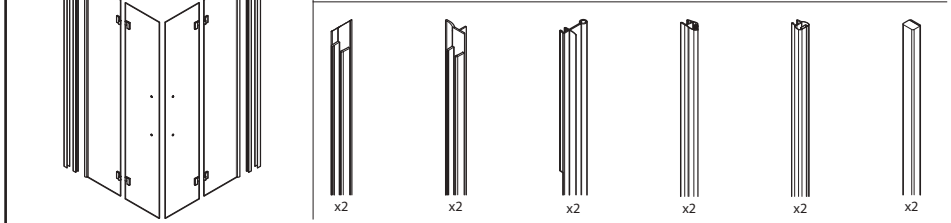
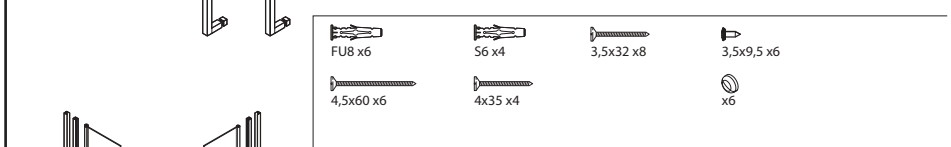
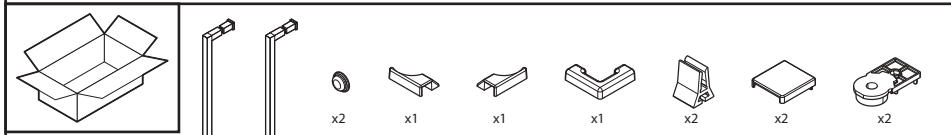
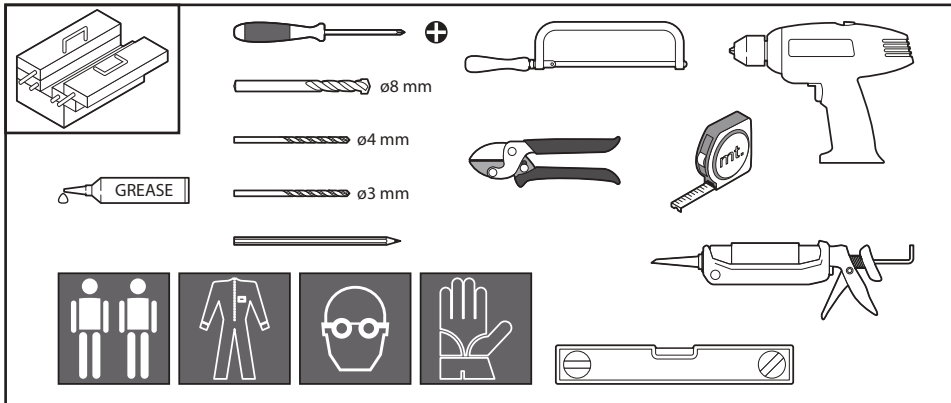


2GS pag. 3



2GS+F pag. 14





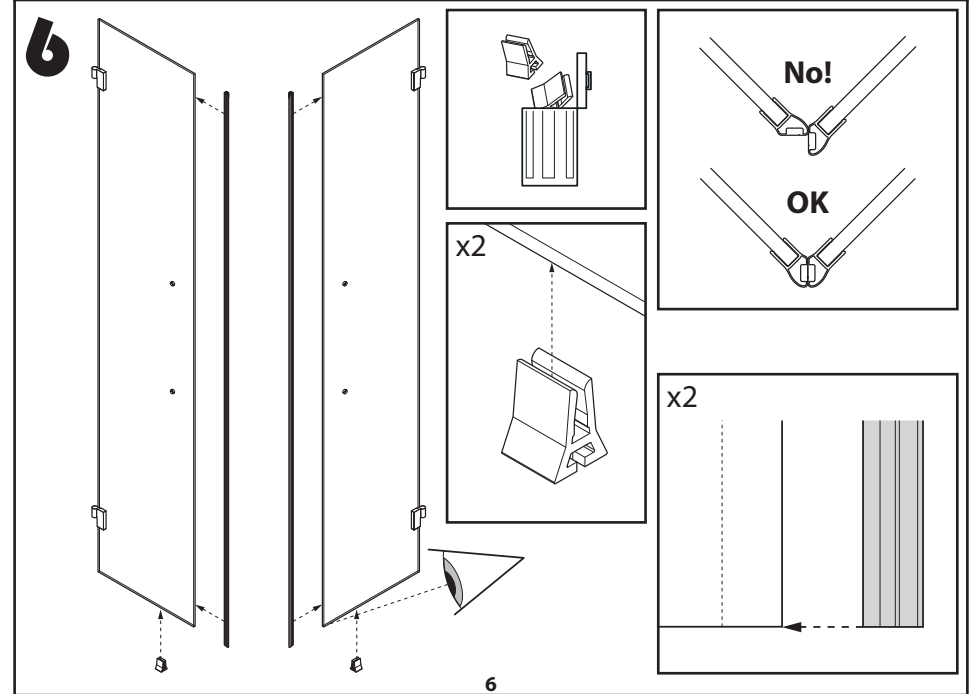
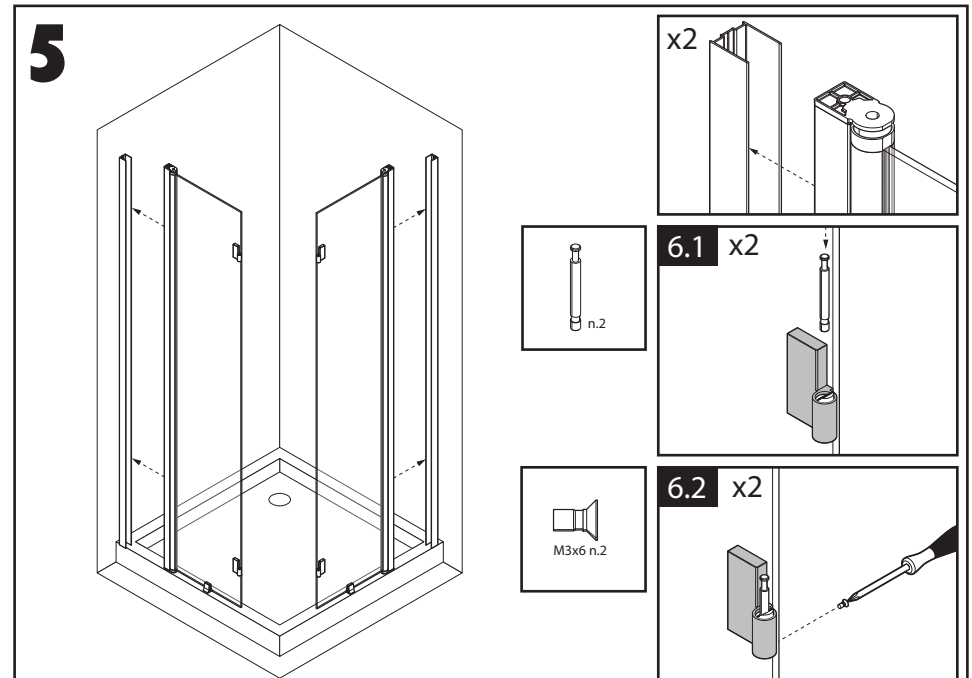
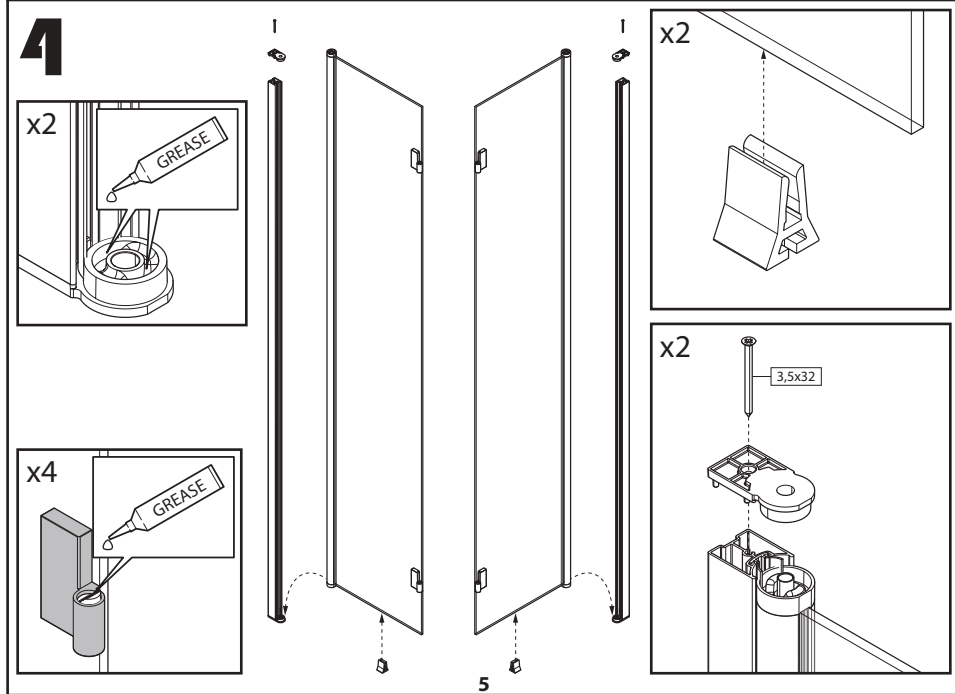
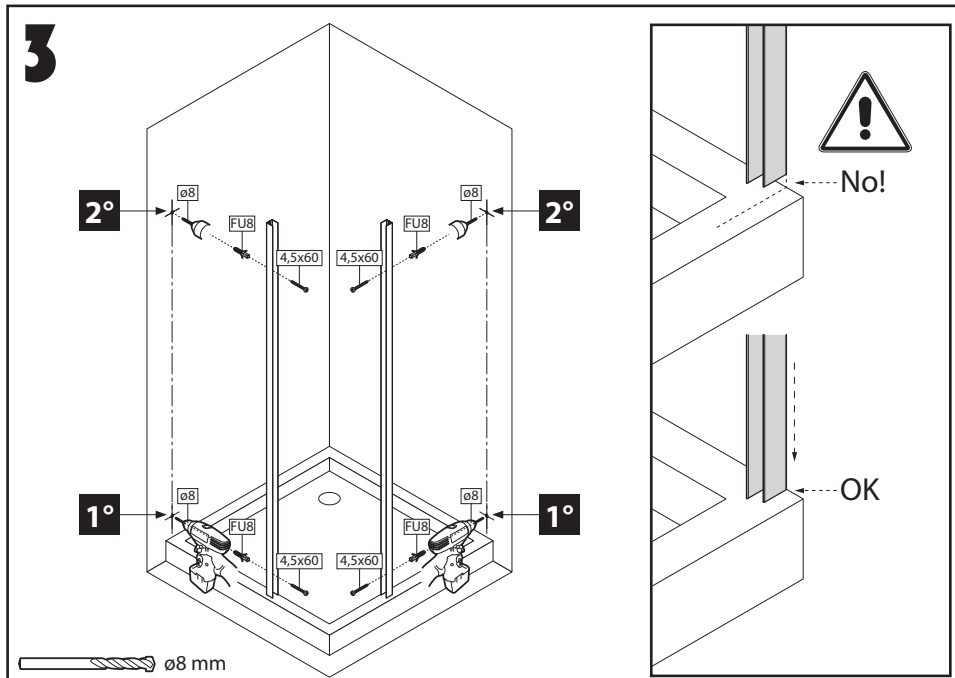
2GS57	L=57-59 cm	2GS85	L=85-87 cm
2GS59	L=59-61 cm	2GS87	L=87-89 cm
2GS65	L=65-67 cm	2GS91	L=91-93 cm
2GS67	L=67-69 cm	2GS89	L=89-91 cm
2GS69	L=69-71 cm	2GS95	L=95-97 cm
2GS73	L=73-75 cm	2GS97	L=97-99 cm
2GS75	L=75-77 cm	2GS99	L=99-101 cm
2GS76	L=76-78 cm	2GS101	L=101-103 cm
2GS77	L=77-79 cm	2GS115	L=115-117 cm
2GS79	L=79-81 cm	2GS117	L=117-119 cm
2GS81	L=81-83 cm	2GS119	L=119-121 cm

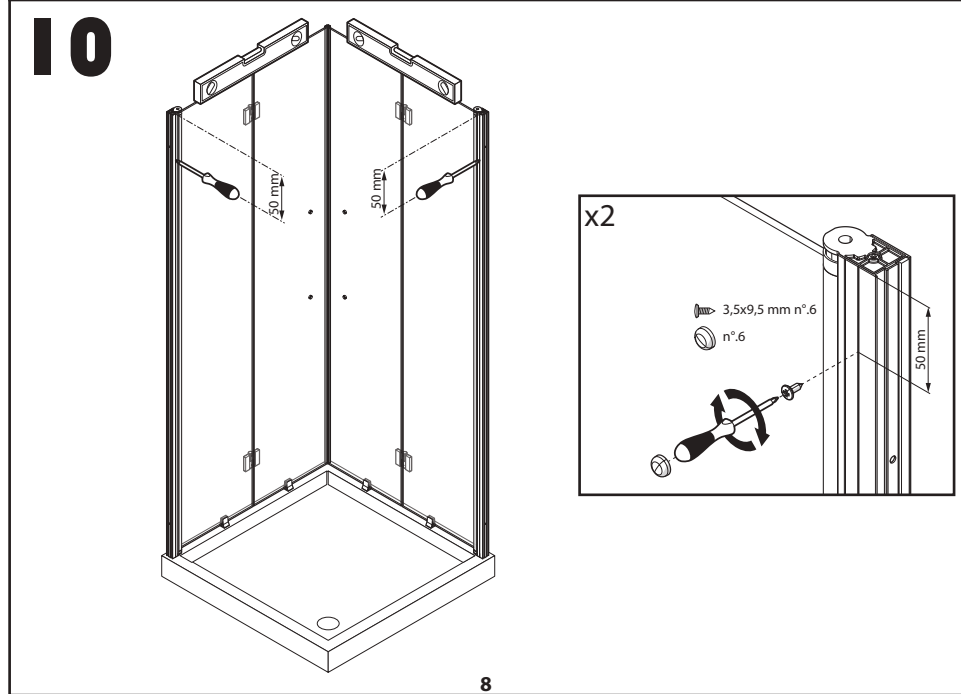
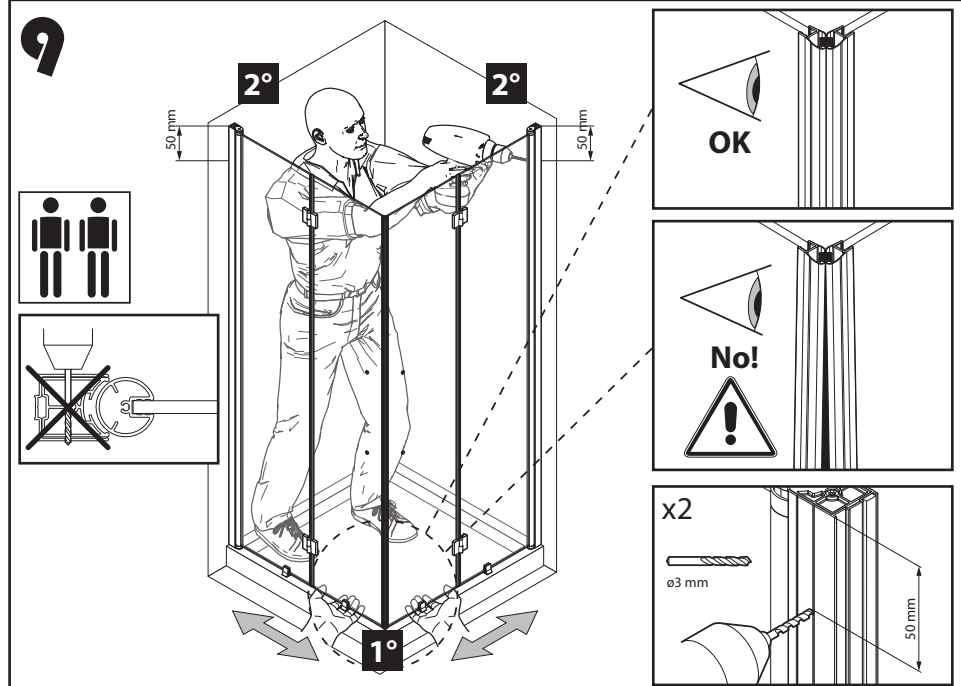
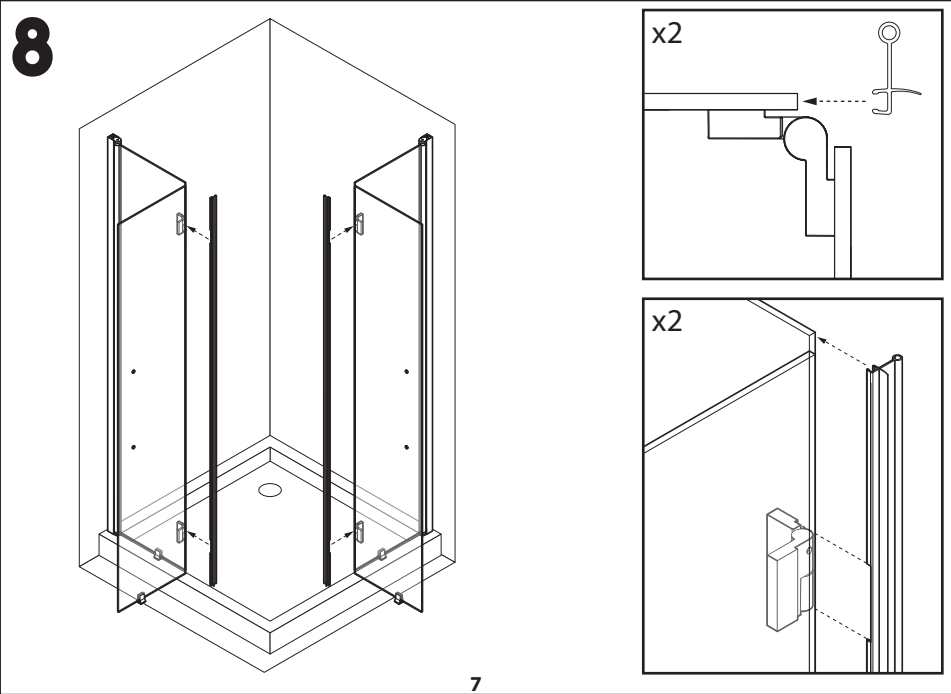
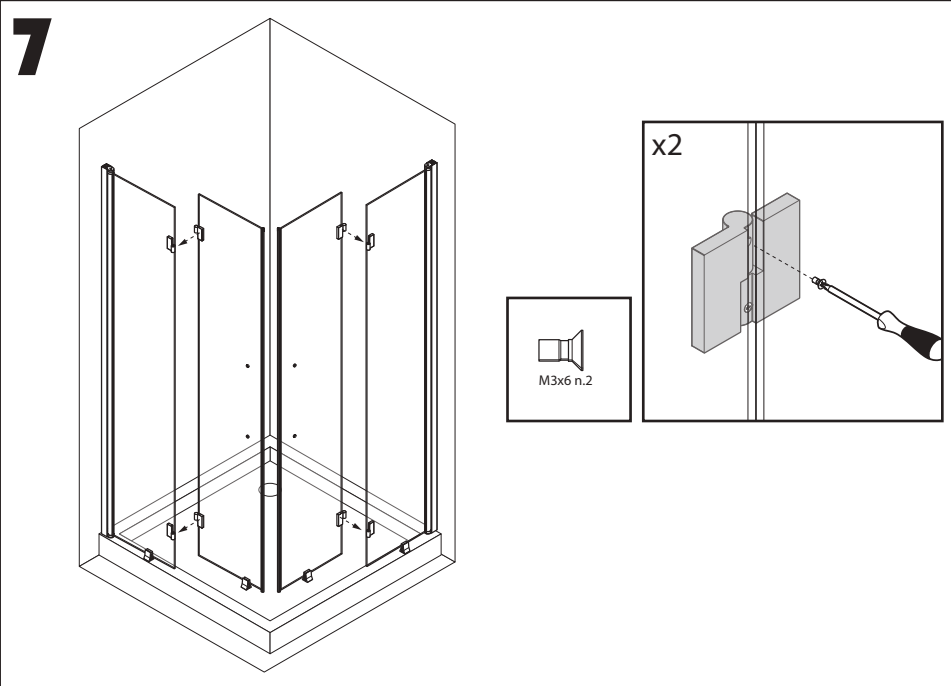
3

2GS57	L=57-59 cm	2GS85	L=85-87 cm
2GS59	L=59-61 cm	2GS87	L=87-89 cm
2GS65	L=65-67 cm	2GS91	L=91-93 cm
2GS67	L=67-69 cm	2GS89	L=89-91 cm
2GS69	L=69-71 cm	2GS95	L=95-97 cm
2GS73	L=73-75 cm	2GS97	L=97-99 cm
2GS75	L=75-77 cm	2GS99	L=99-101 cm
2GS76	L=76-78 cm	2GS101	L=101-103 cm
2GS77	L=77-79 cm	2GS115	L=115-117 cm
2GS79	L=79-81 cm	2GS117	L=117-119 cm
2GS81	L=81-83 cm	2GS119	L=119-121 cm

1

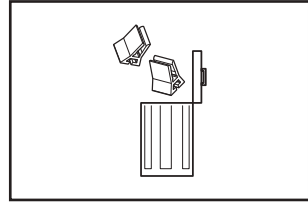
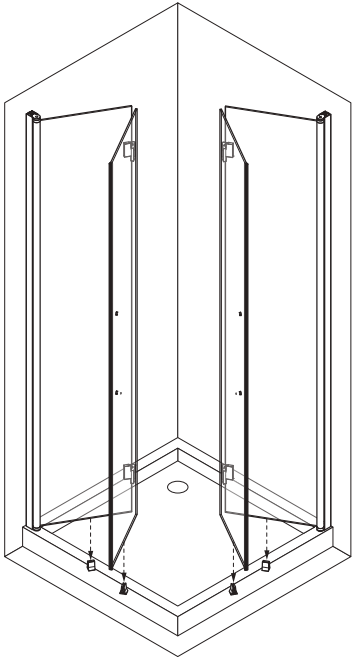
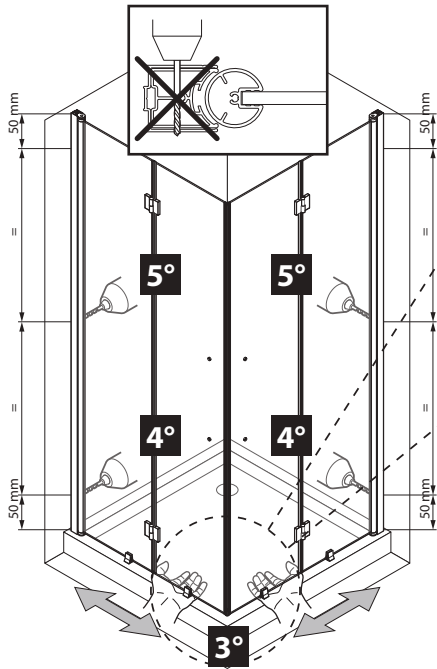
2



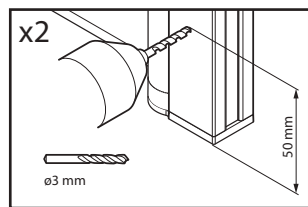
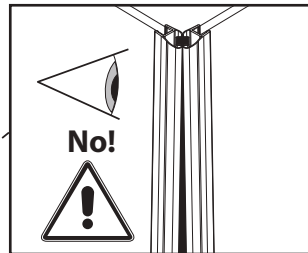
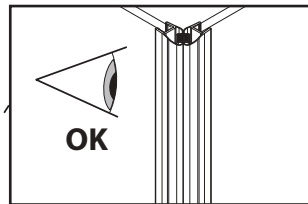
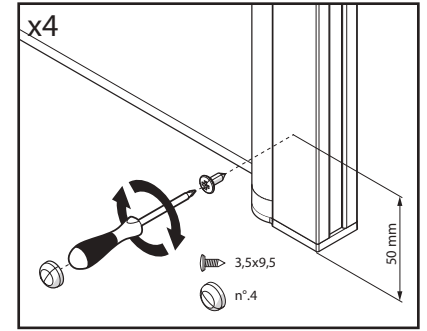
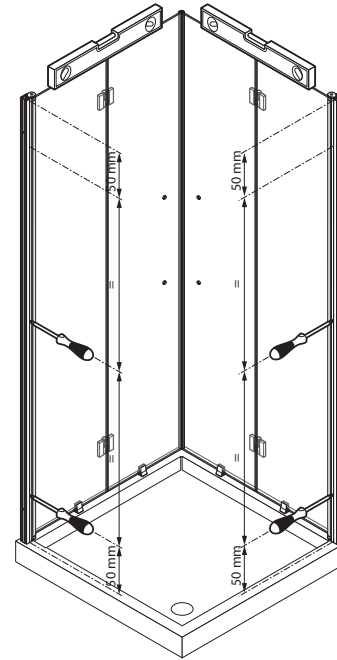
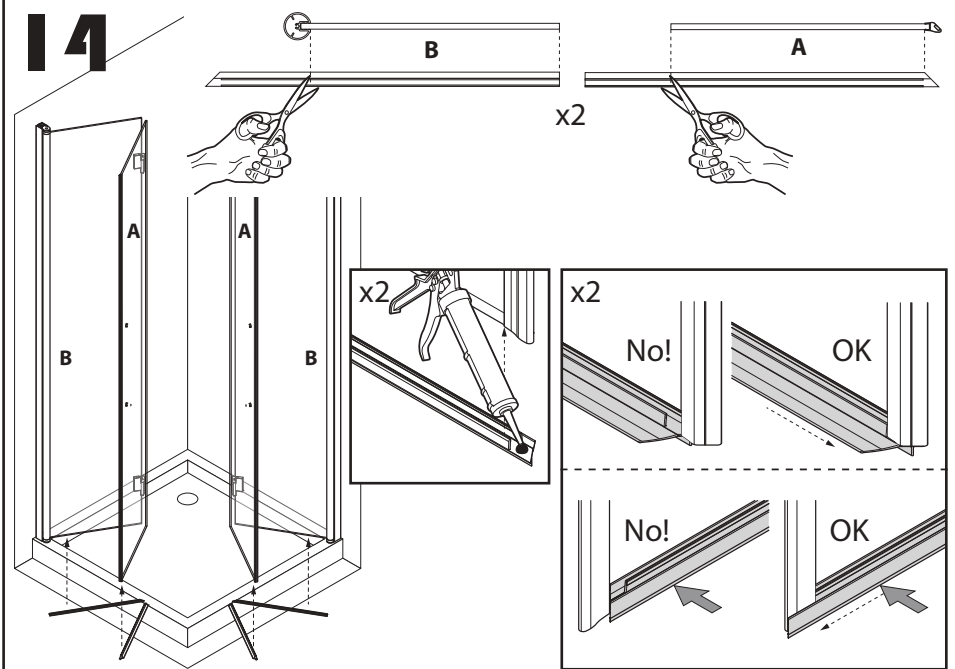


7

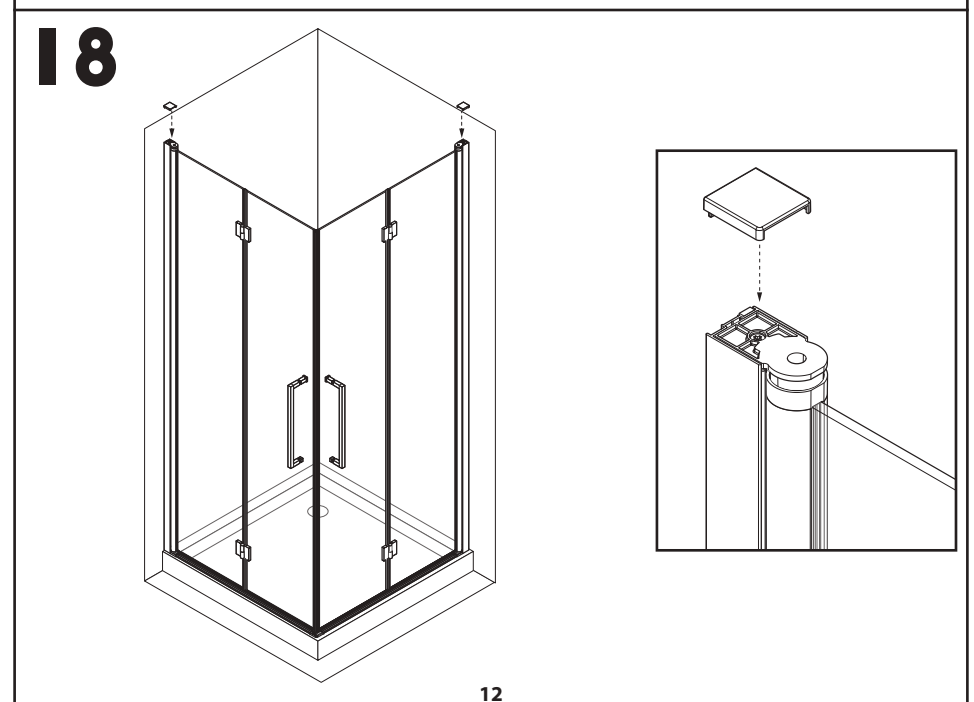
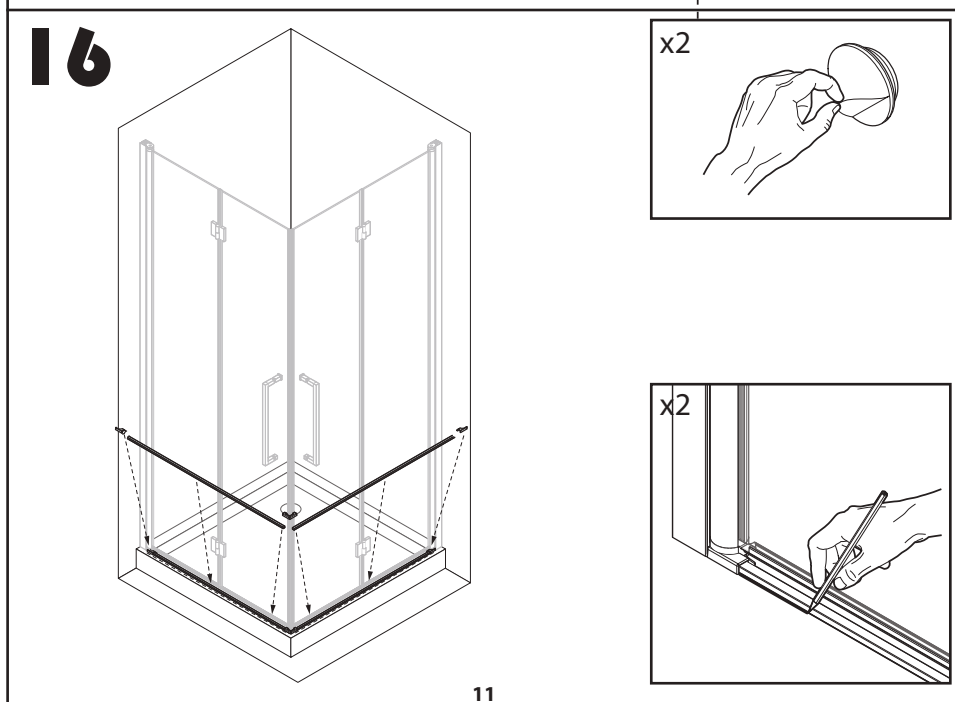
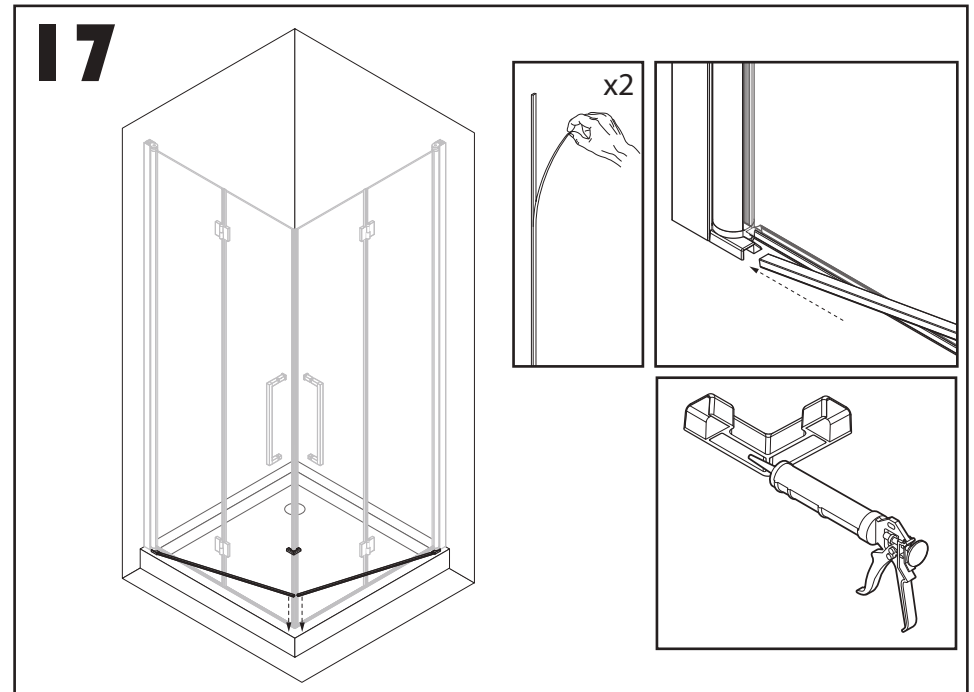
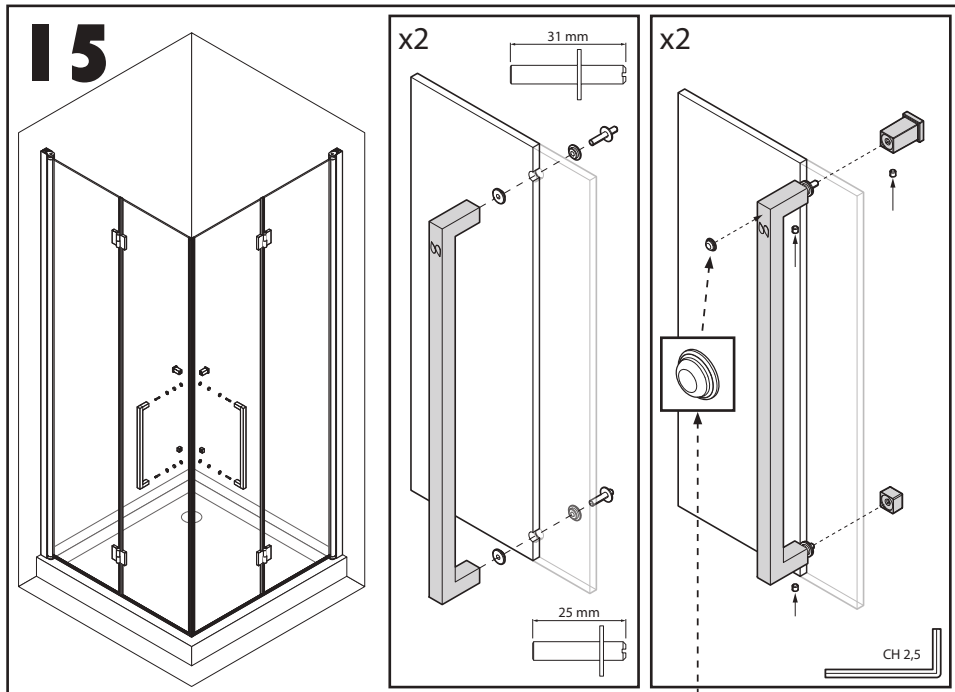
8

11**12**

9

**13****14**

10



19

