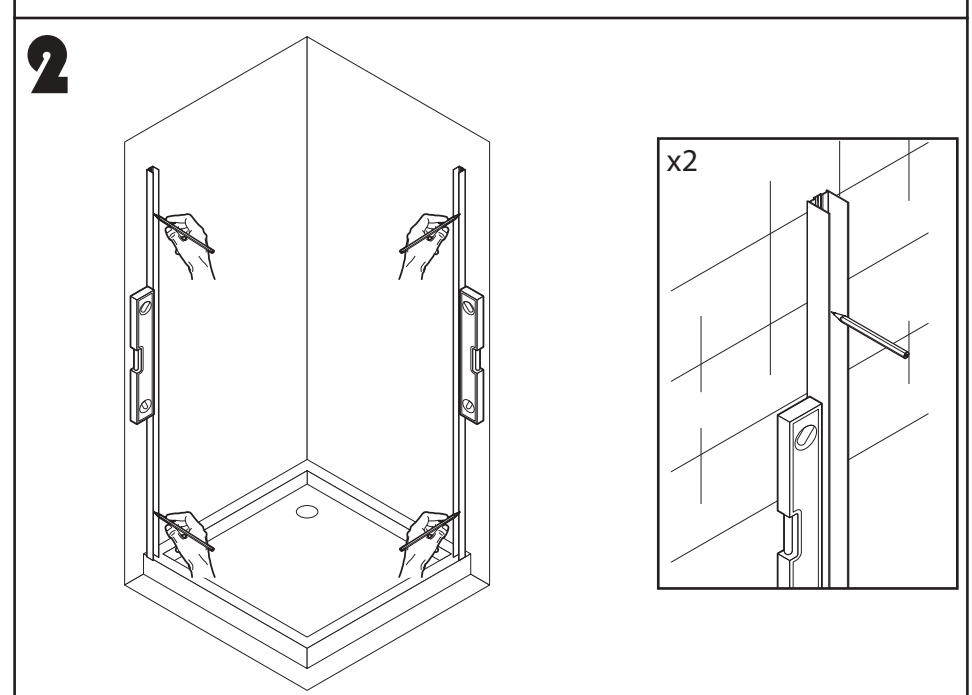
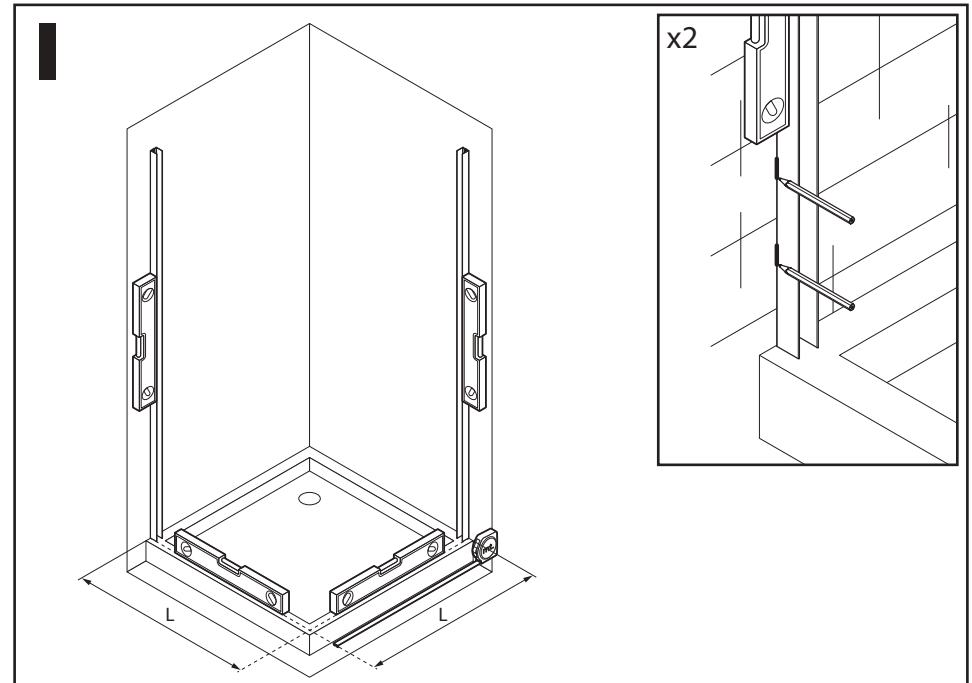
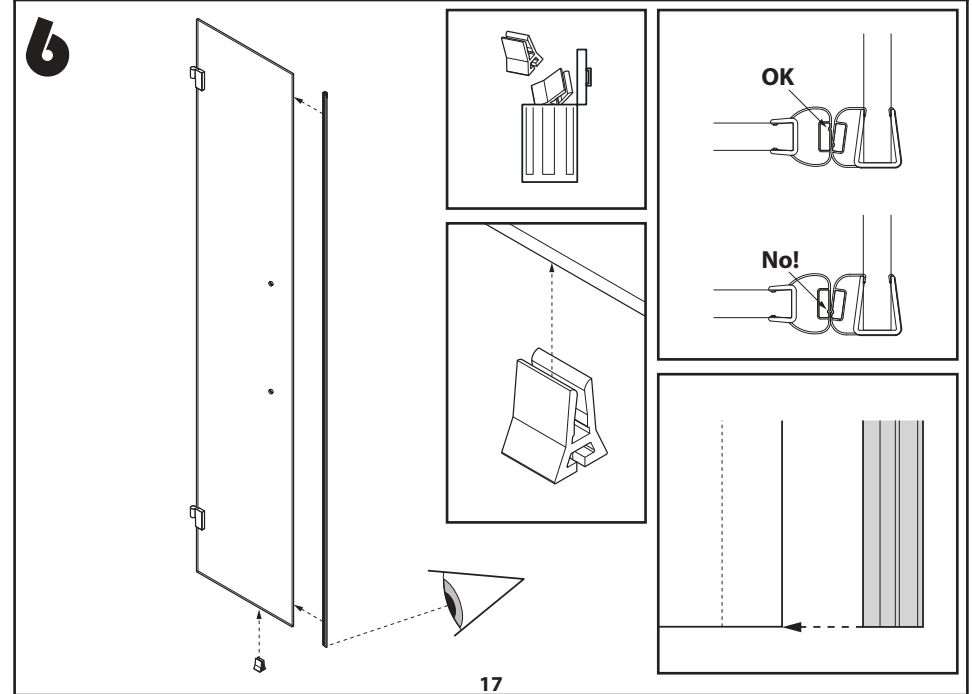
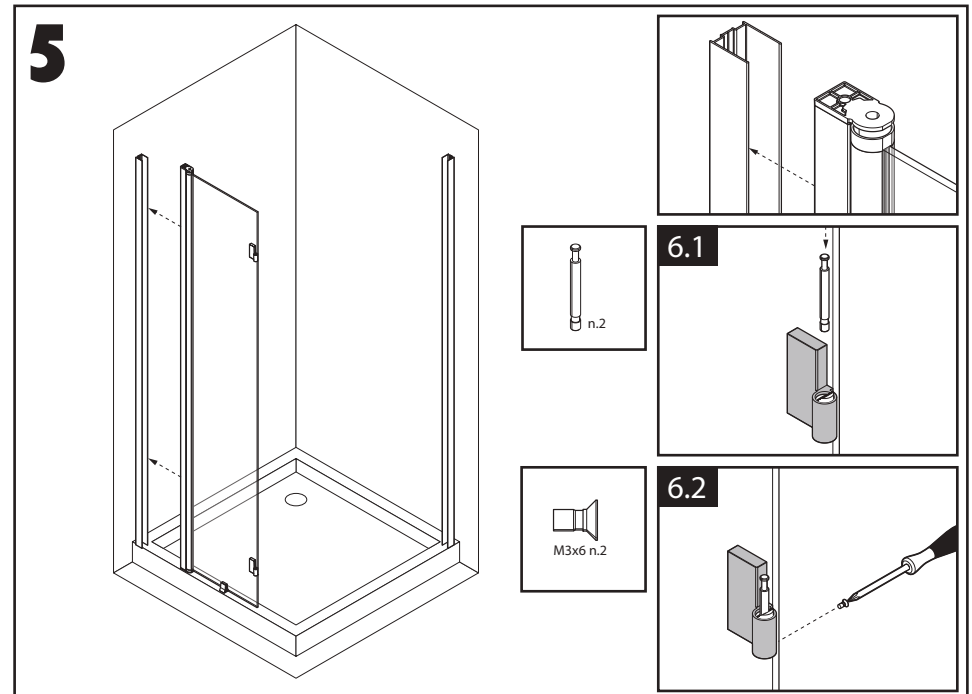
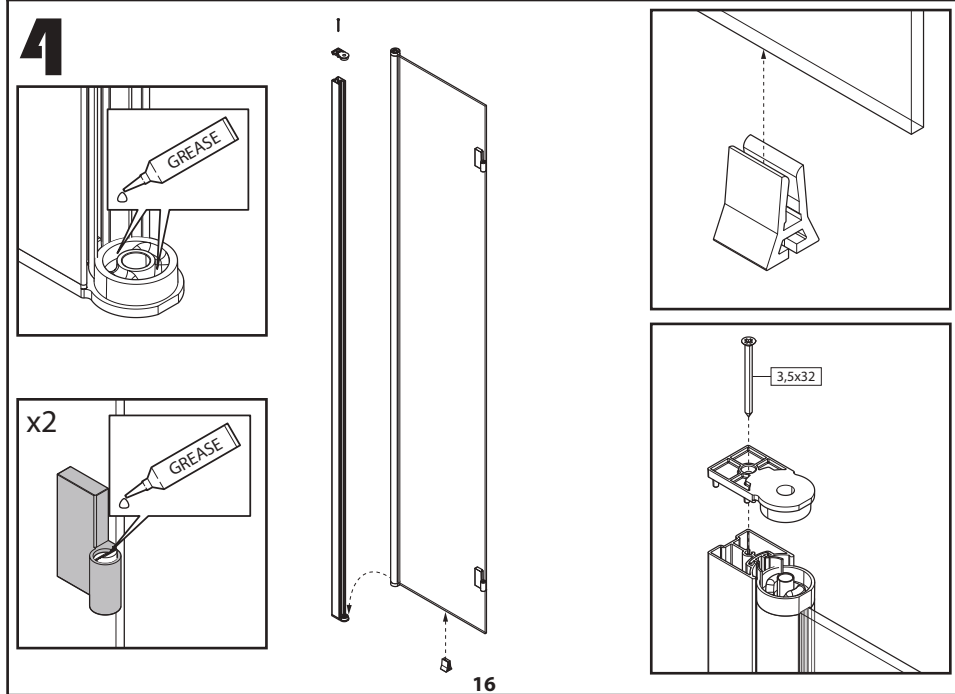
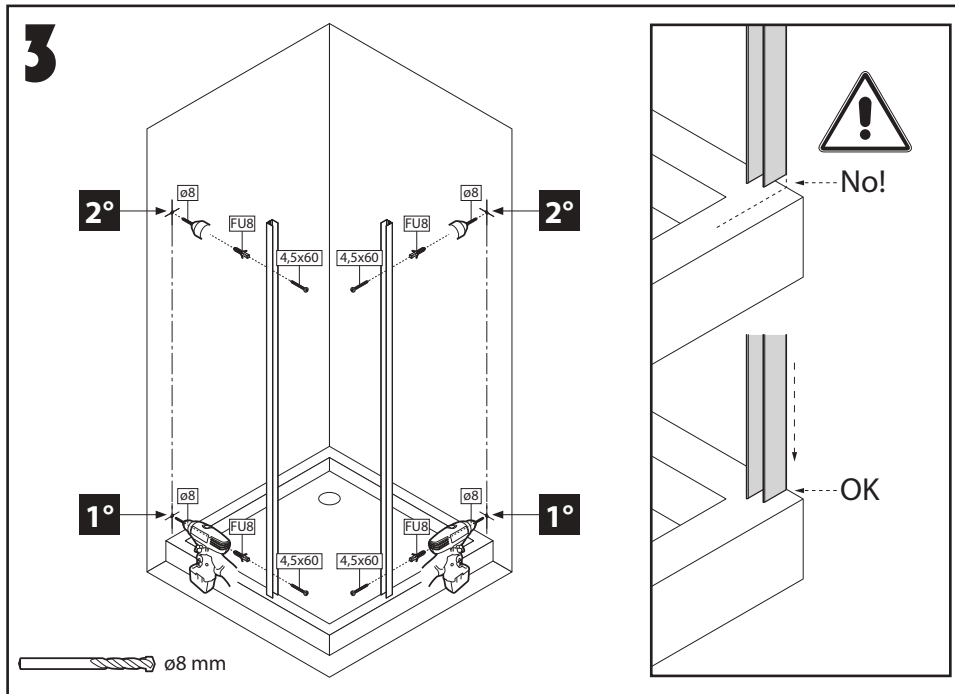
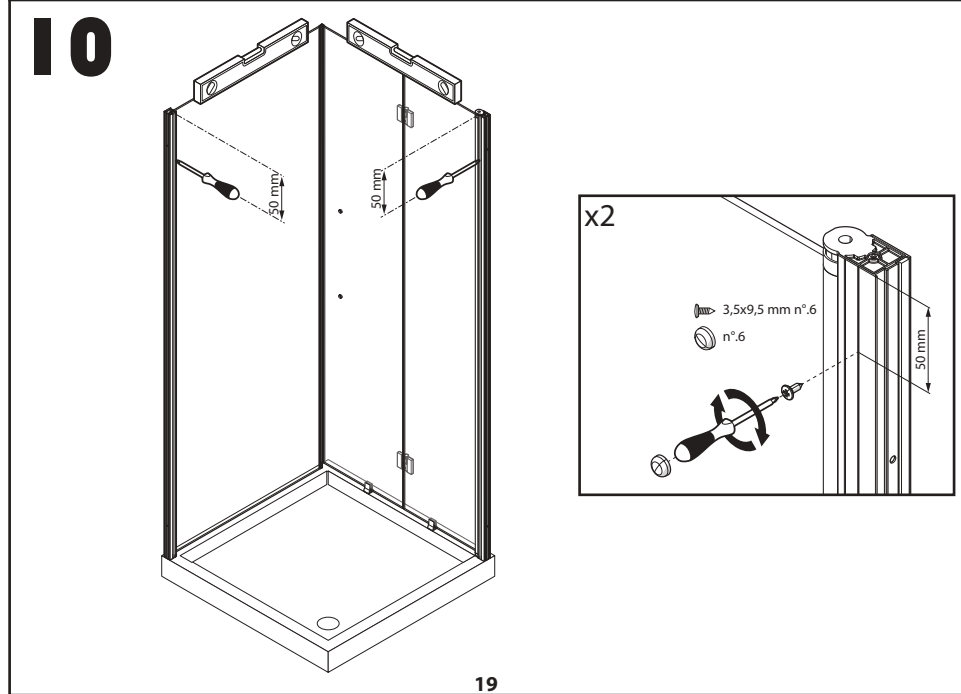
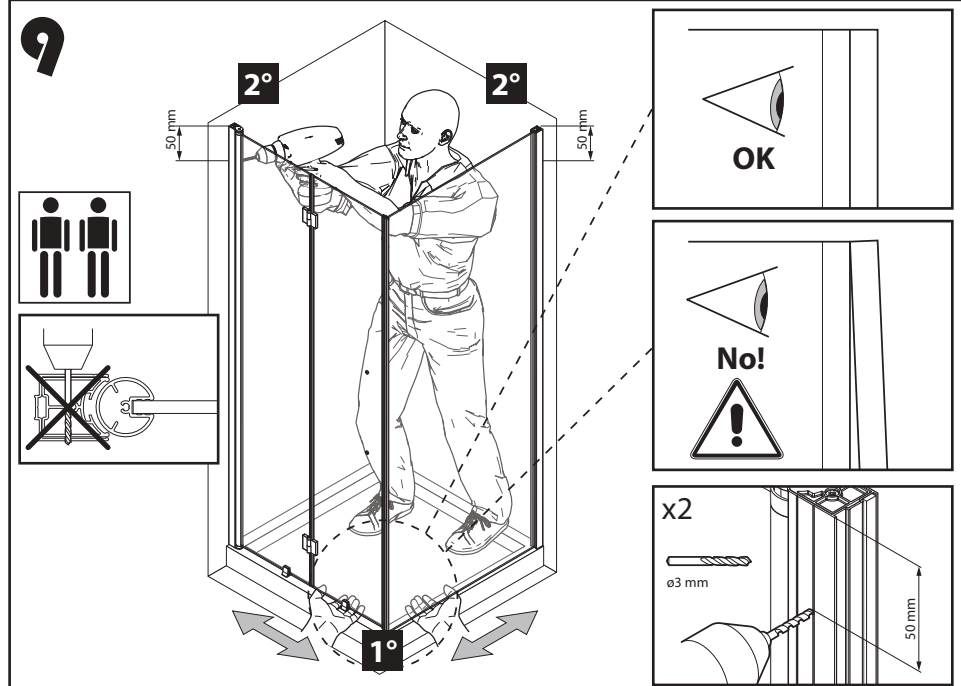
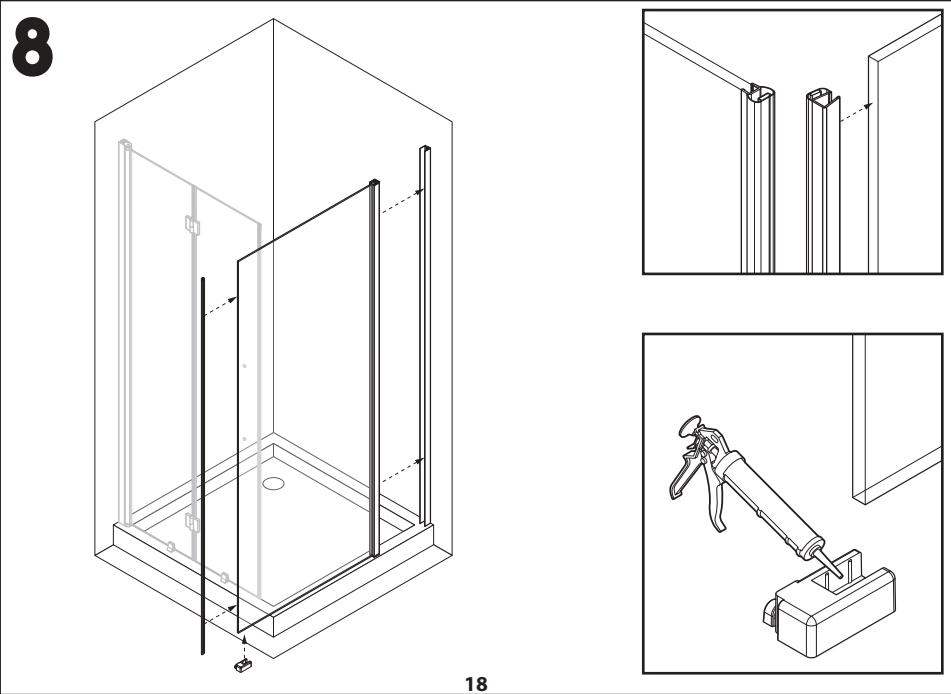
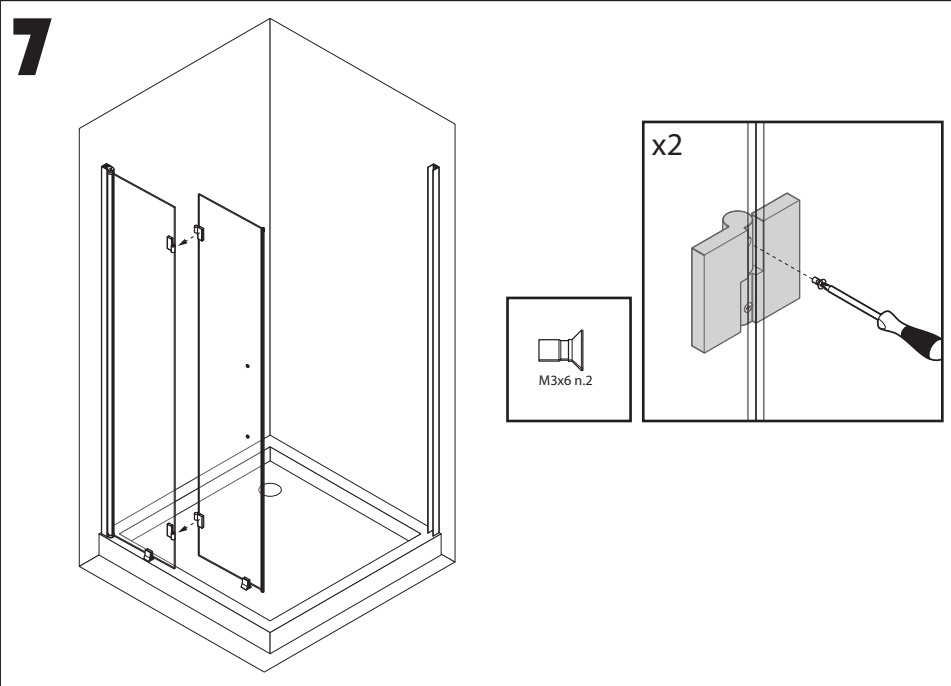
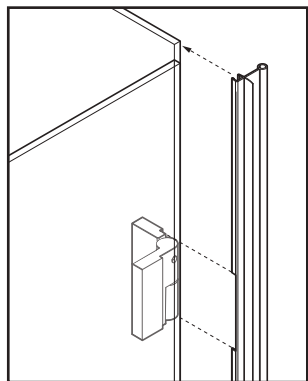
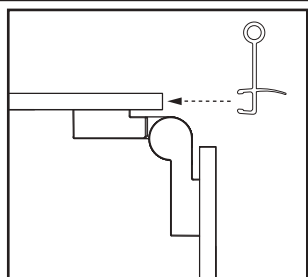
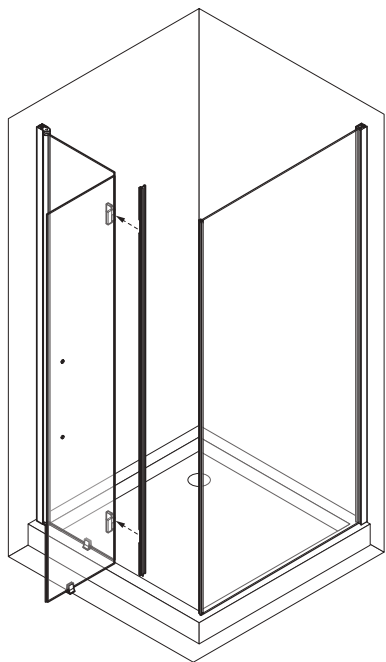
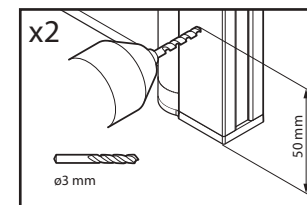
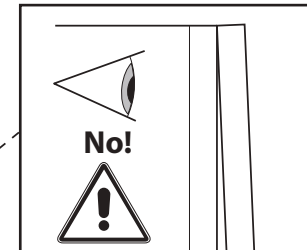
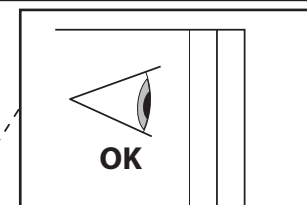
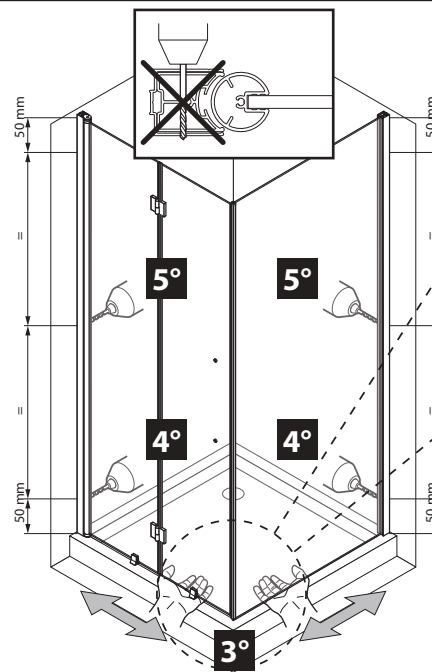
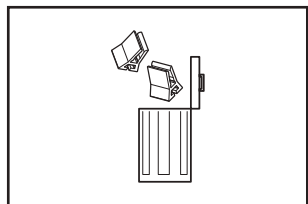
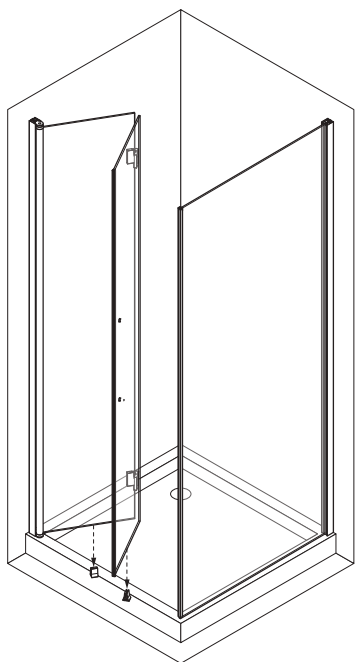


FG57	L=57-59 cm	2GS57	L=58-60 cm
FG59	L=59-61 cm	2GS59	L=60-62 cm
FG61	L=61-63 cm	2GS65	L=66-68 cm
FG65	L=65-67 cm	2GS67	L=68-70 cm
FG67	L=67-69 cm	2GS69	L=70-72 cm
FG69	L=69-71 cm	2GS73	L=74-76 cm
FG73	L=73-75 cm	2GS75	L=76-78 cm
FG75	L=75-77 cm	2GS77	L=78-80 cm
FG76	L=76-78 cm	2GS79	L=80-82 cm
FG77	L=77-79 cm	2GS85	L=86-88 cm
FG79	L=79-81 cm	2GS87	L=88-90 cm
FG81	L=81-83 cm	2GS89	L=90-92 cm
FG85	L=85-87 cm	2GS95	L=96-98 cm
FG87	L=87-89 cm	2GS97	L=98-100 cm
FG89	L=89-91 cm	2GS99	L=100-102 cm
FG91	L=91-93 cm	2GS115	L=116-118 cm
FG95	L=95-97 cm	2GS117	L=118-120 cm
FG97	L=97-99 cm	2GS119	L=120-122 cm
FG99	L=99-101 cm		
FG101	L=101-103 cm		
FG117	L=117-119 cm		
FG119	L=119-121 cm		

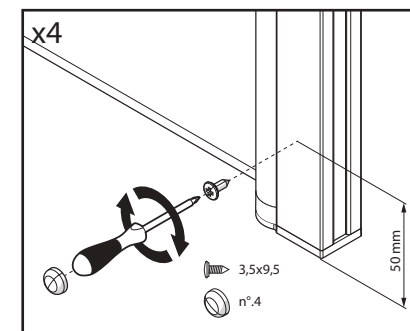
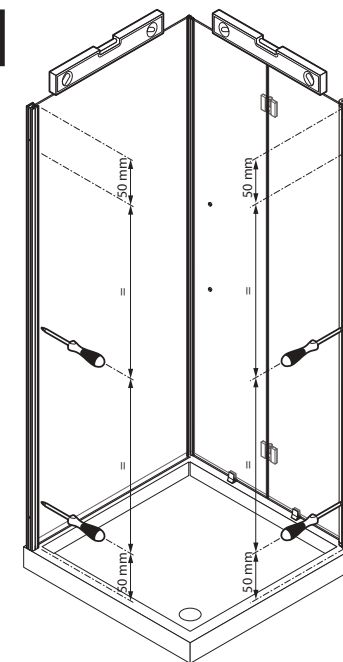




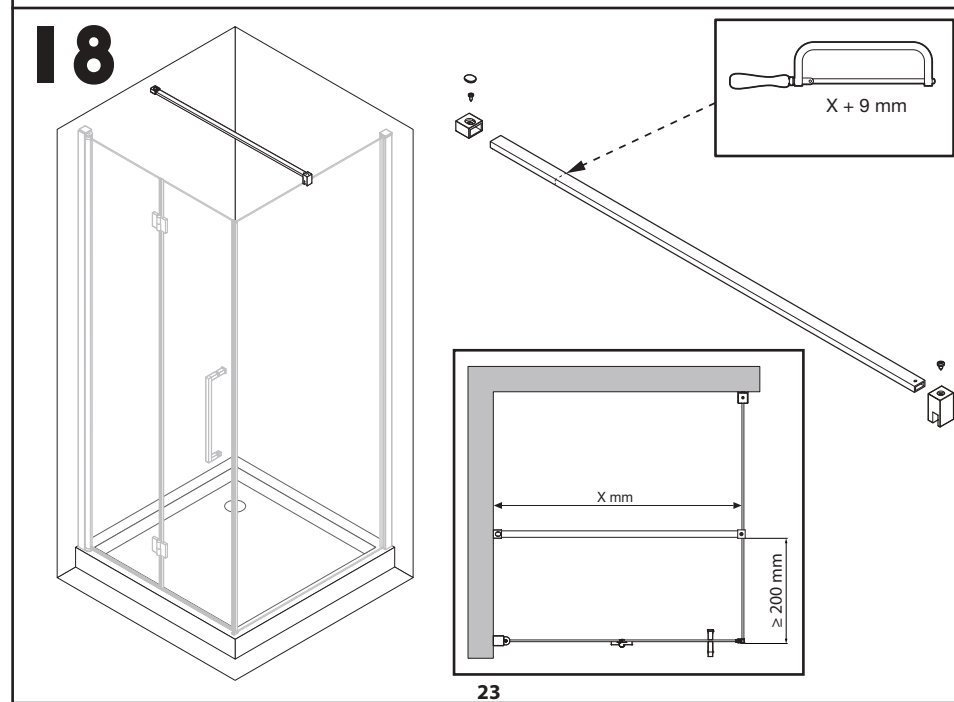
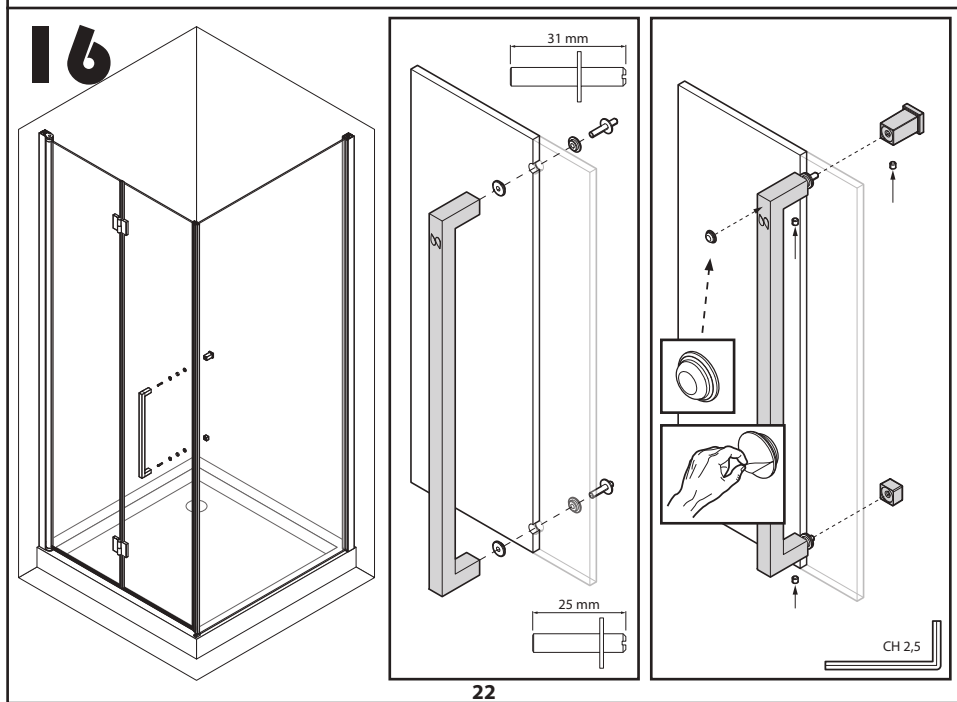
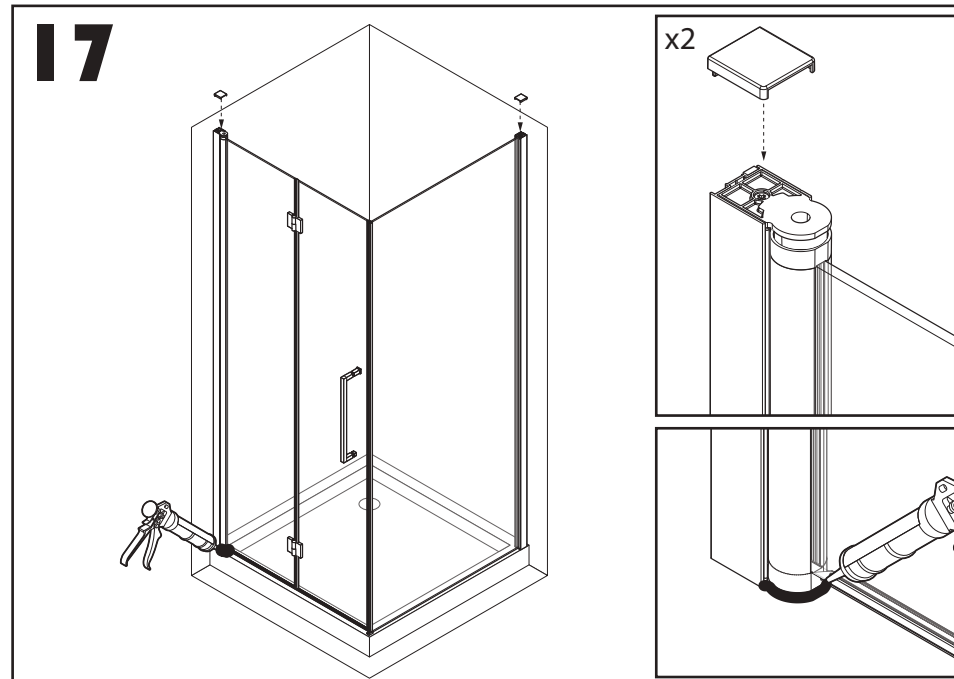
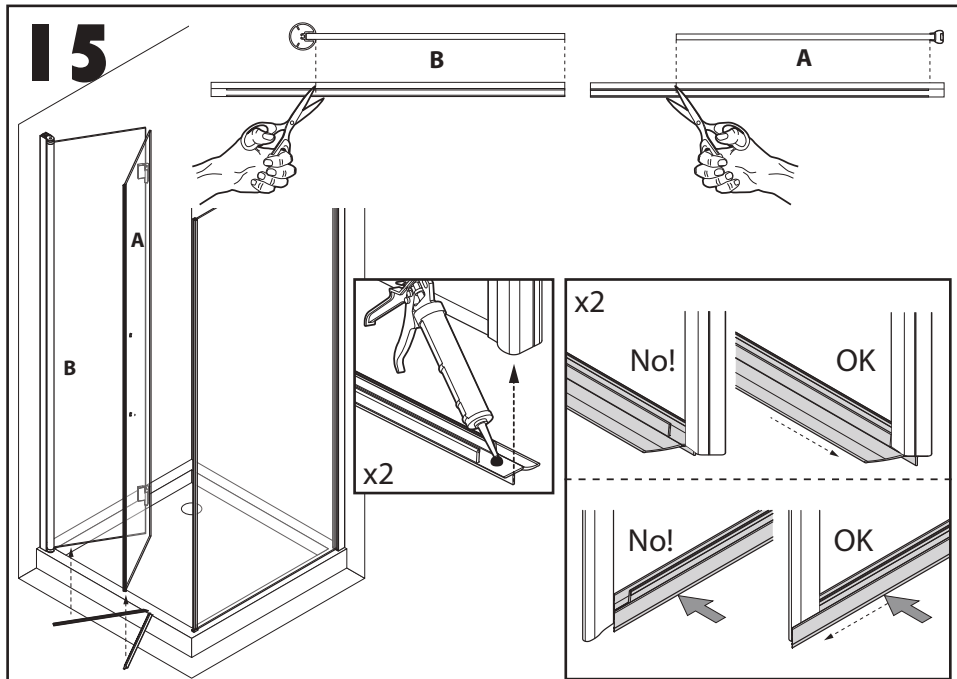


11**13****12**

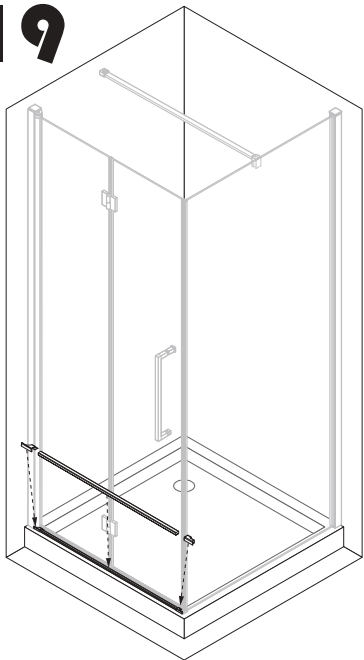
20

14

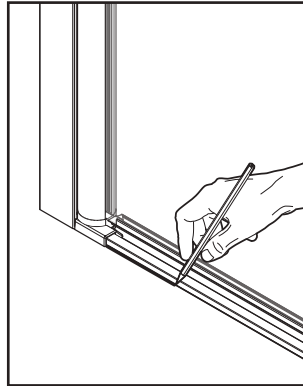
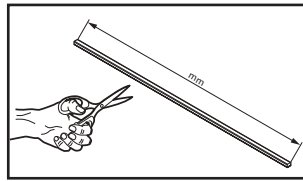
21



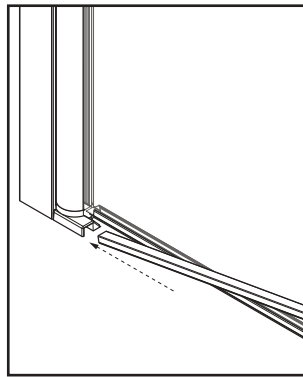
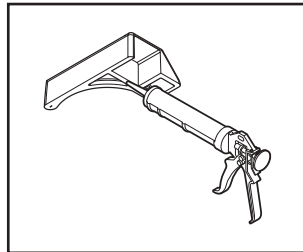
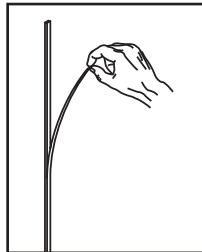
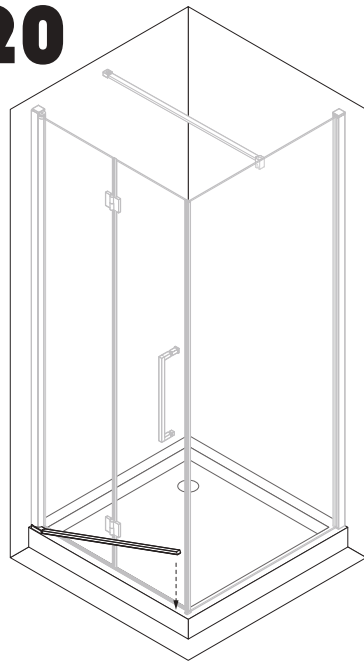
19



mod. 2GS	mm
58-60	482
60-62	502
66-69	562
68-70	582
70-72	602
74-77	642
76-78	662
78-80	682
80-82	702
86-88	762
88-90	782
90-92	802
96-98	862
98-100	882
100-102	902
116-118	1062
118-120	1082
120-122	1102

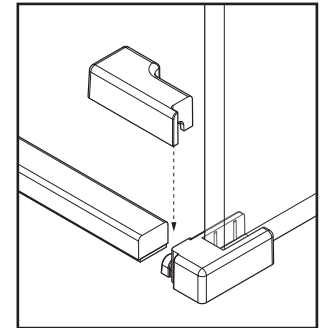
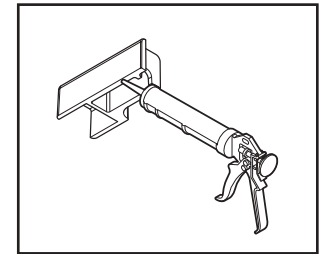
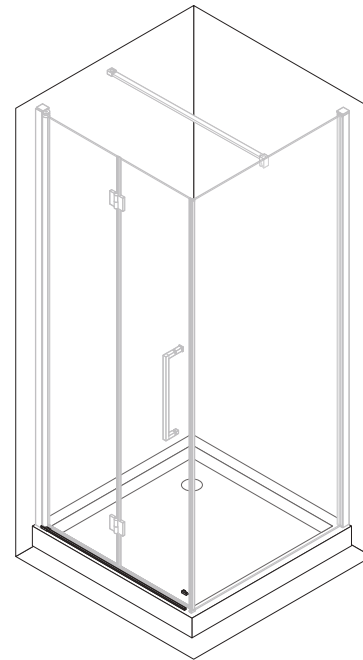


20

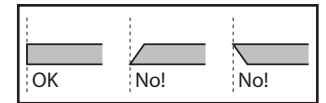
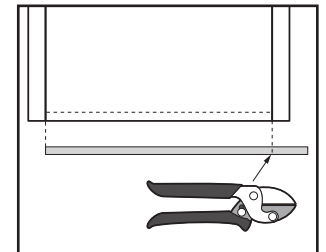
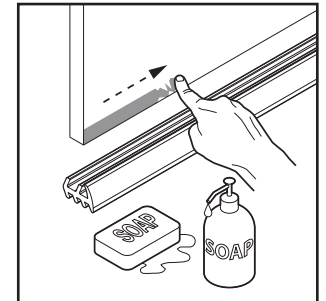
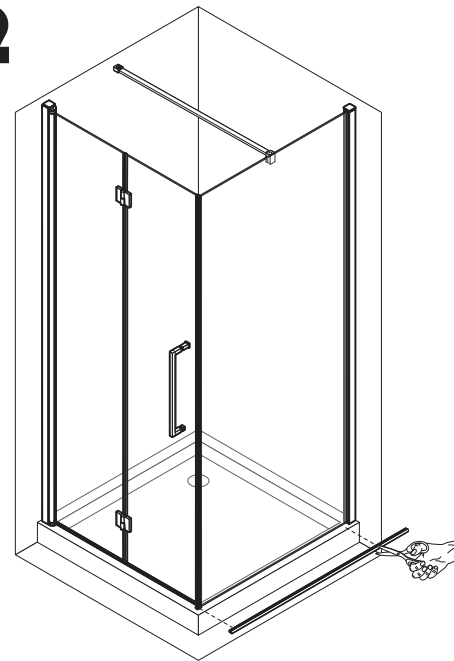


24

21



22



25

23

