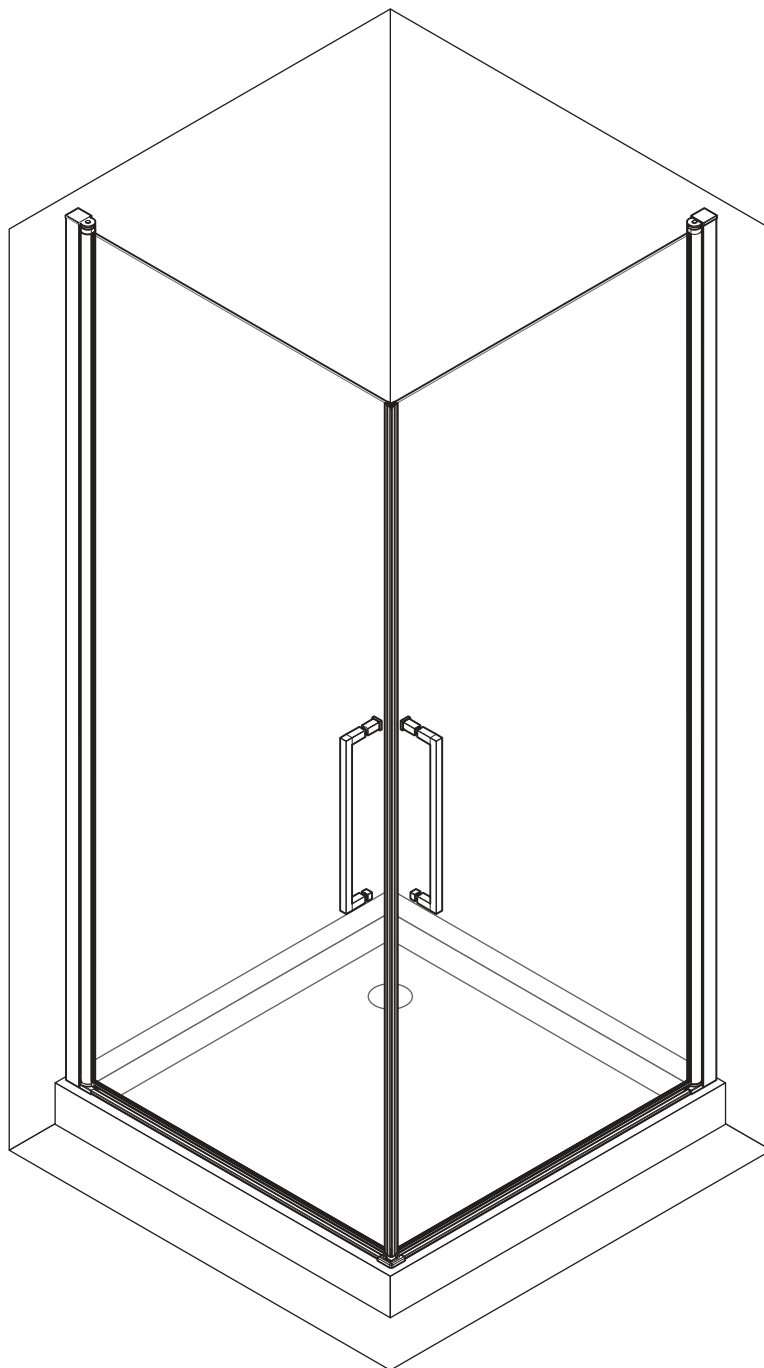
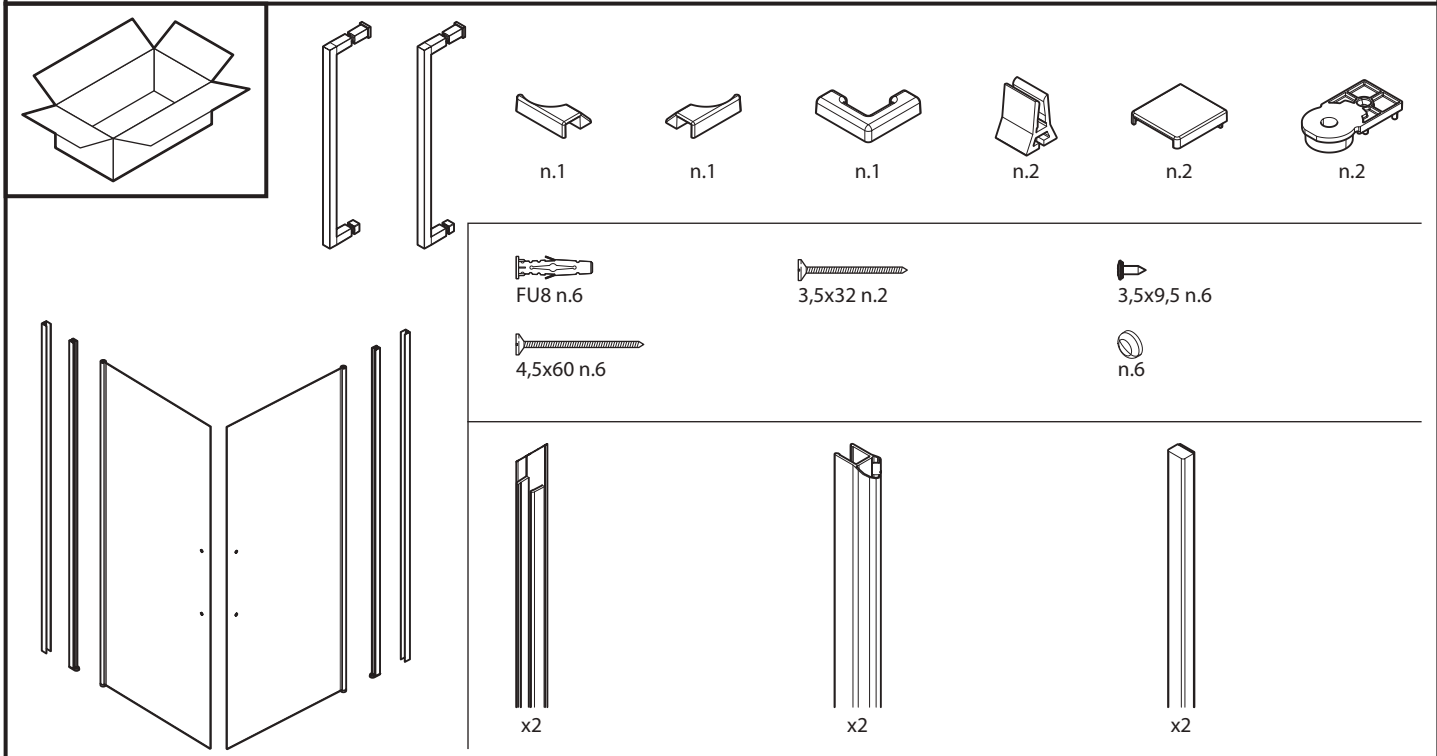
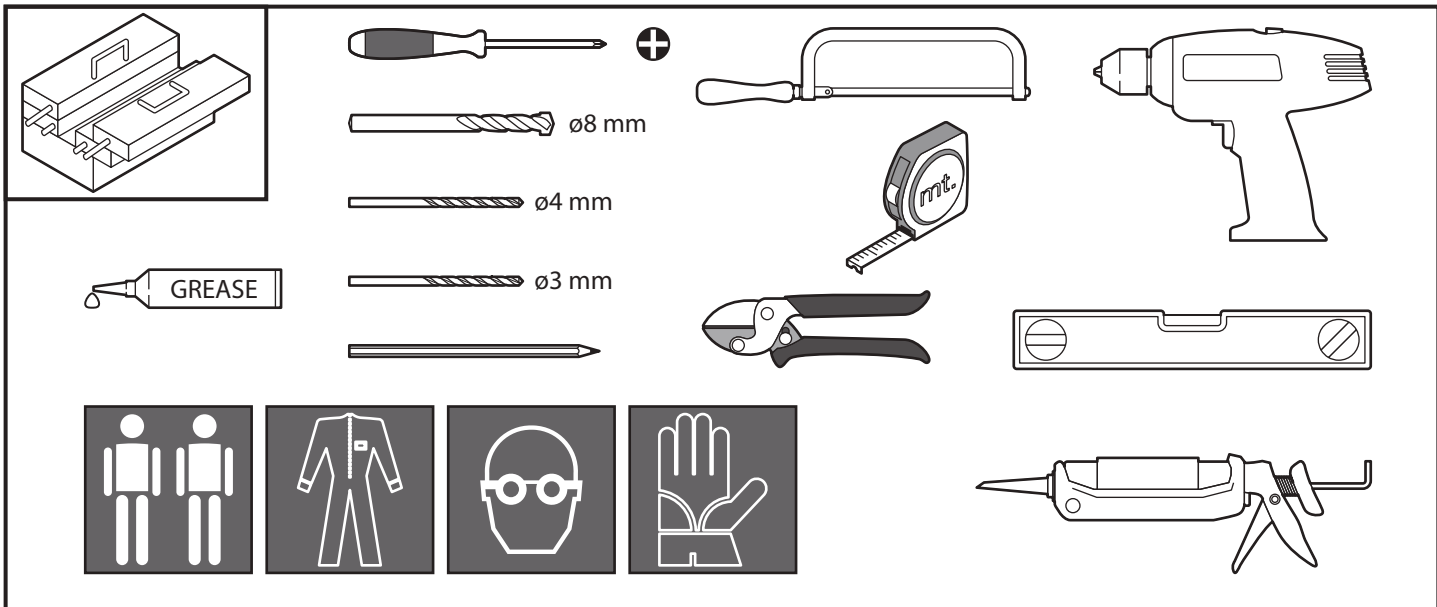


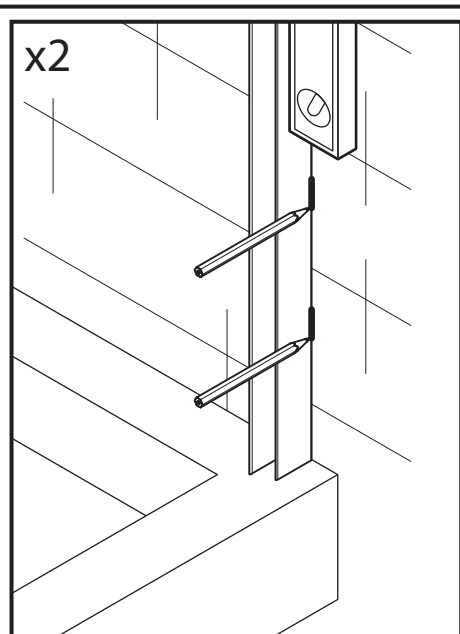
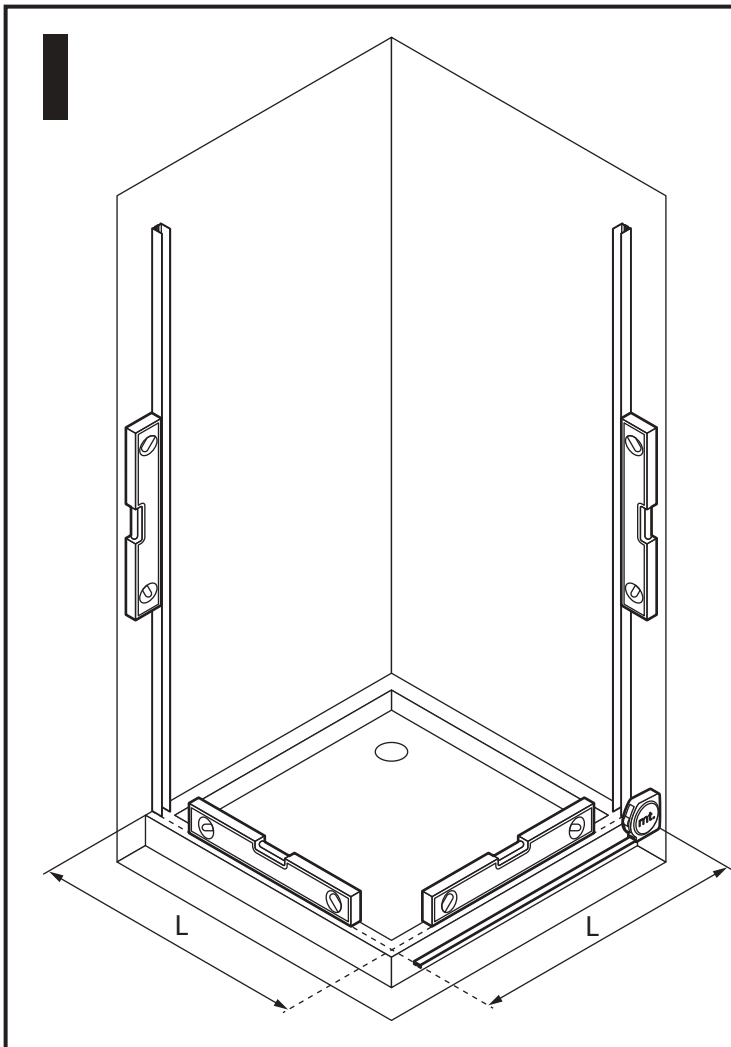
2G



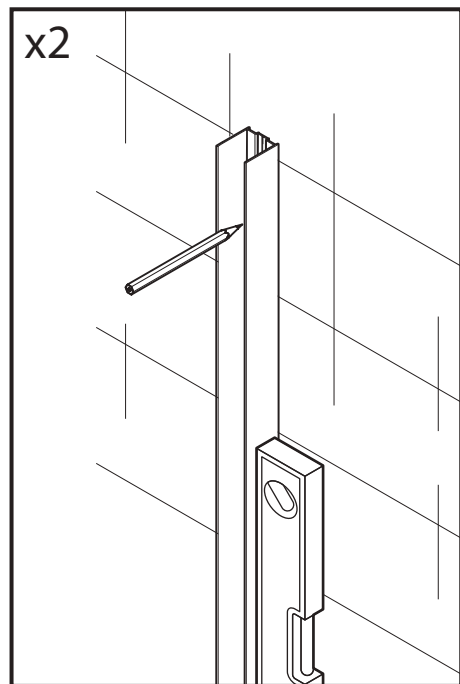
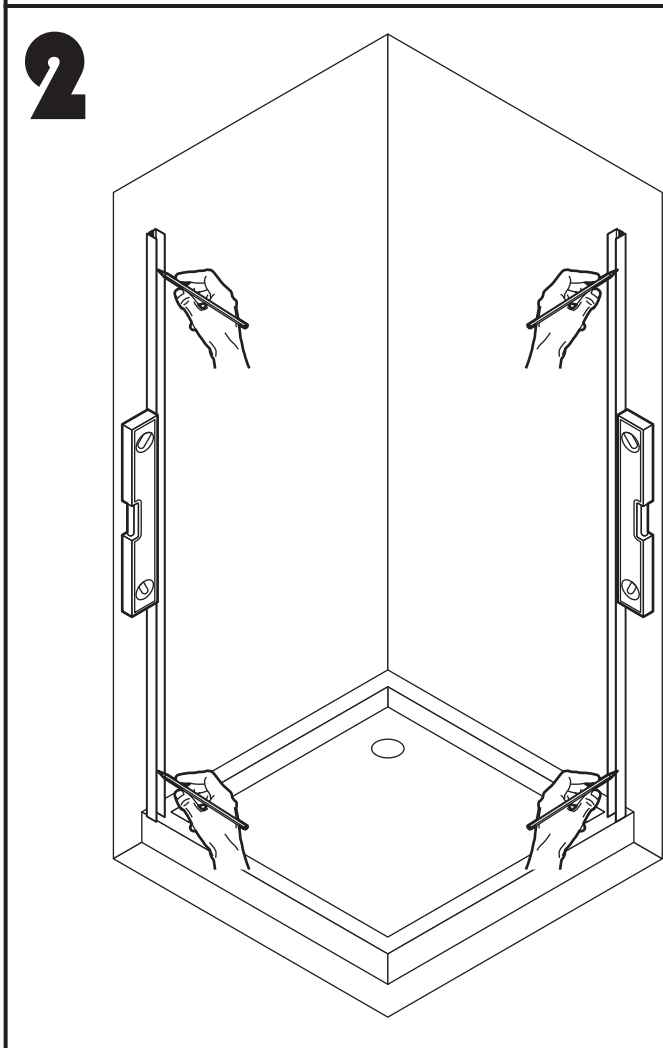
<hr/>	<hr/>
<hr/>	<hr/>
<hr/>	<hr/>
<hr/>	<hr/>



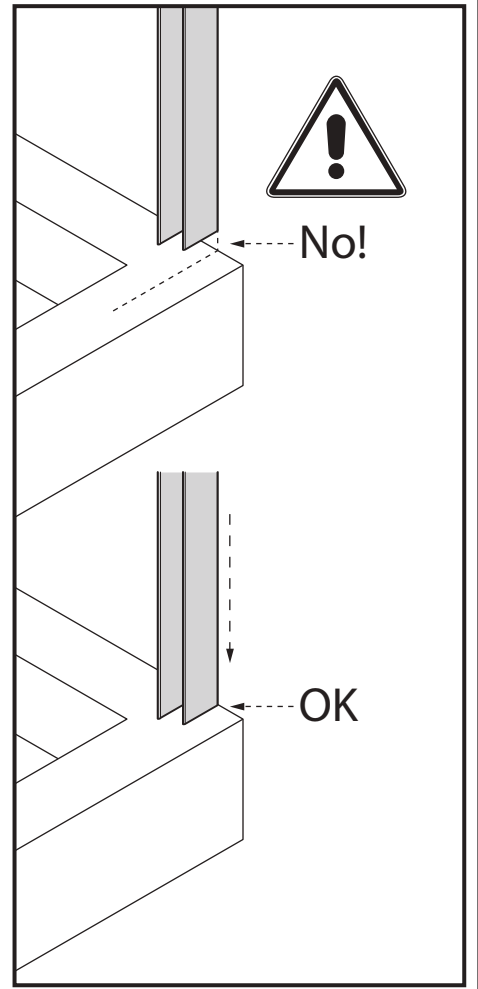
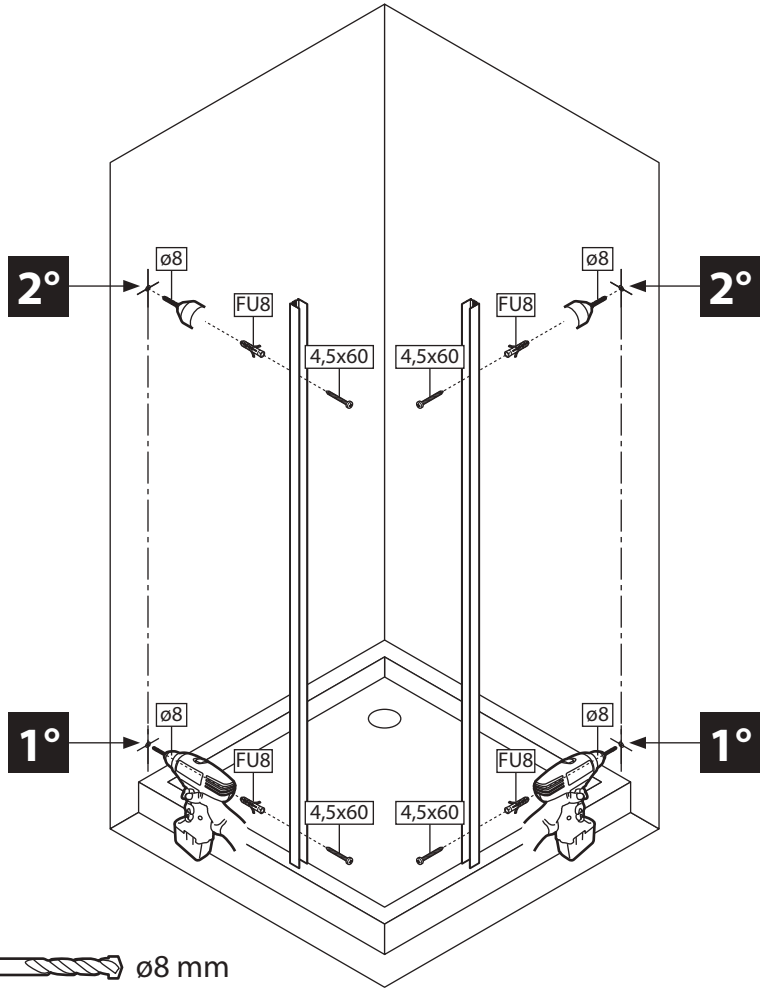
2G57	L=57-59 cm	2G79	L=79-81 cm
2G59	L=59-61 cm	2G81	L=81-83 cm
2G61	L=61-63 cm	2G85	L=85-87 cm
2G65	L=65-67 cm	2G87	L=87-89 cm
2G67	L=67-69 cm	2G89	L=89-91 cm
2G69	L=69-71 cm	2G91	L=91-93 cm
2G72	L=72-74 cm	2G95	L=95-97 cm
2G74	L=74-76 cm	2G97	L=97-99 cm
2G76	L=76-78 cm	2G99	L=99-101 cm
2G77	L=77-79 cm	2G101	L=101-103 cm
		2G106	L=106-108 cm



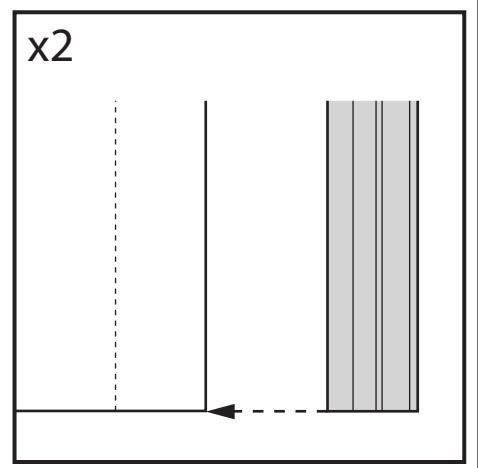
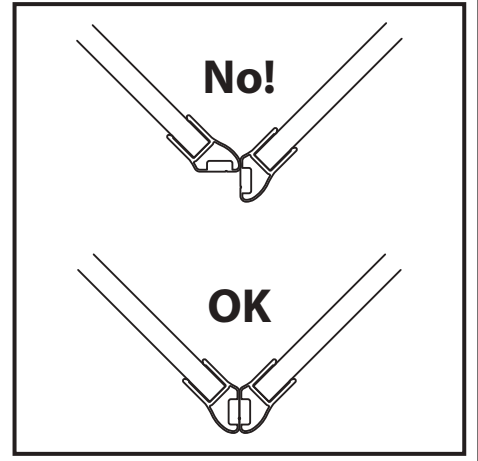
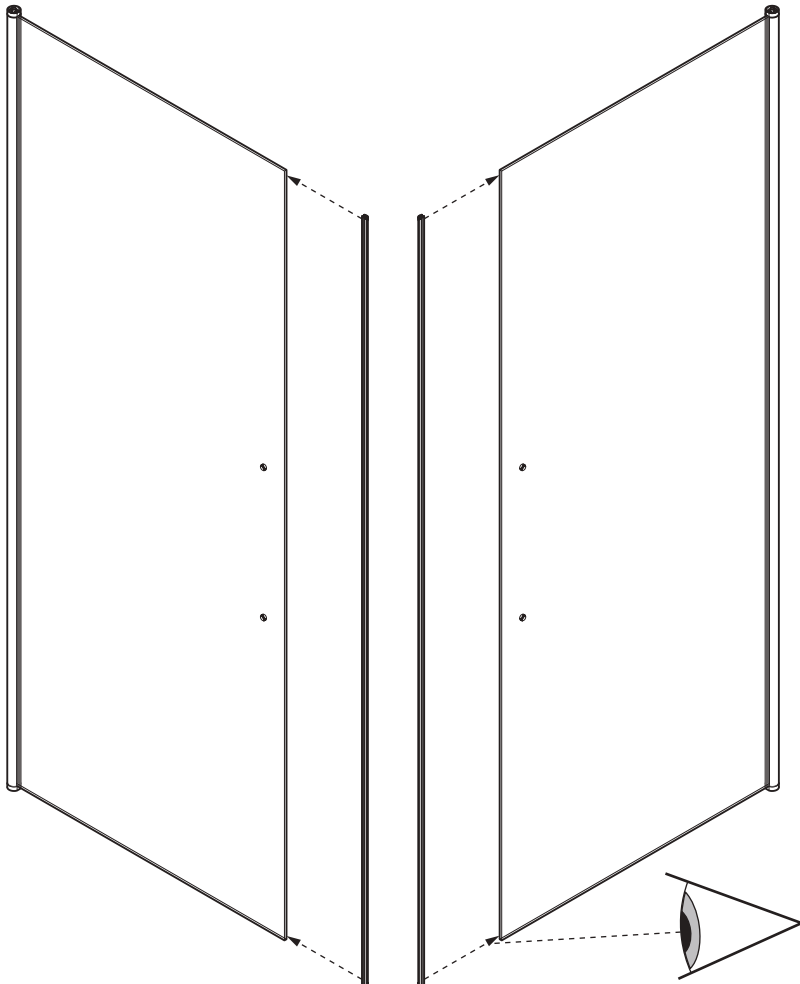
2G57	L=57-59 cm	2G79	L=79-81 cm
2G59	L=59-61 cm	2G81	L=81-83 cm
2G61	L=61-63 cm	2G85	L=85-87 cm
2G65	L=65-67 cm	2G87	L=87-89 cm
2G67	L=67-69 cm	2G89	L=89-91 cm
2G69	L=69-71 cm	2G91	L=91-93 cm
2G72	L=72-74 cm	2G95	L=95-97 cm
2G74	L=74-76 cm	2G97	L=97-99 cm
2G76	L=76-78 cm	2G99	L=99-101 cm
2G77	L=77-79 cm	2G101	L=101-103 cm
		2G106	L=106-108 cm



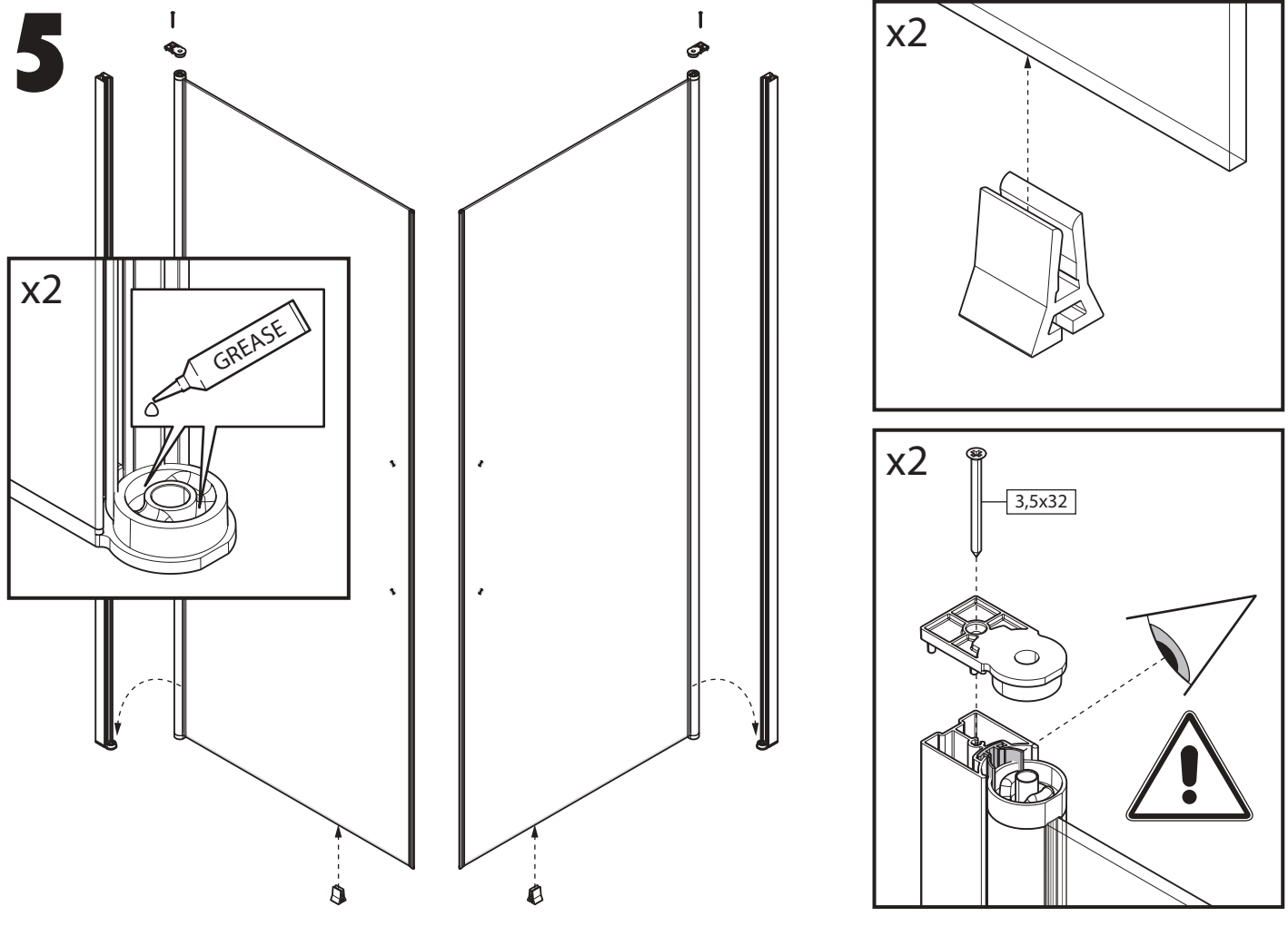
3



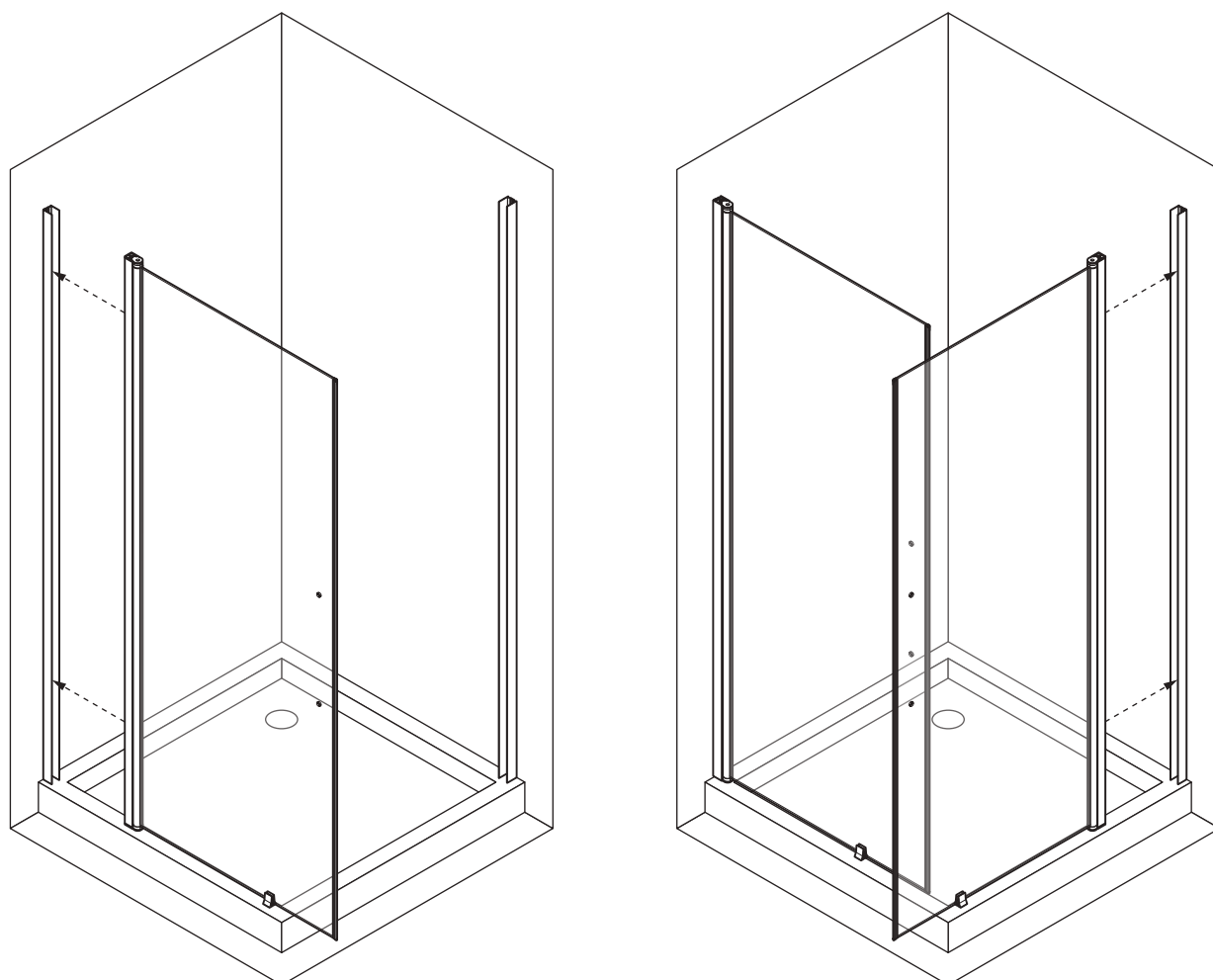
4



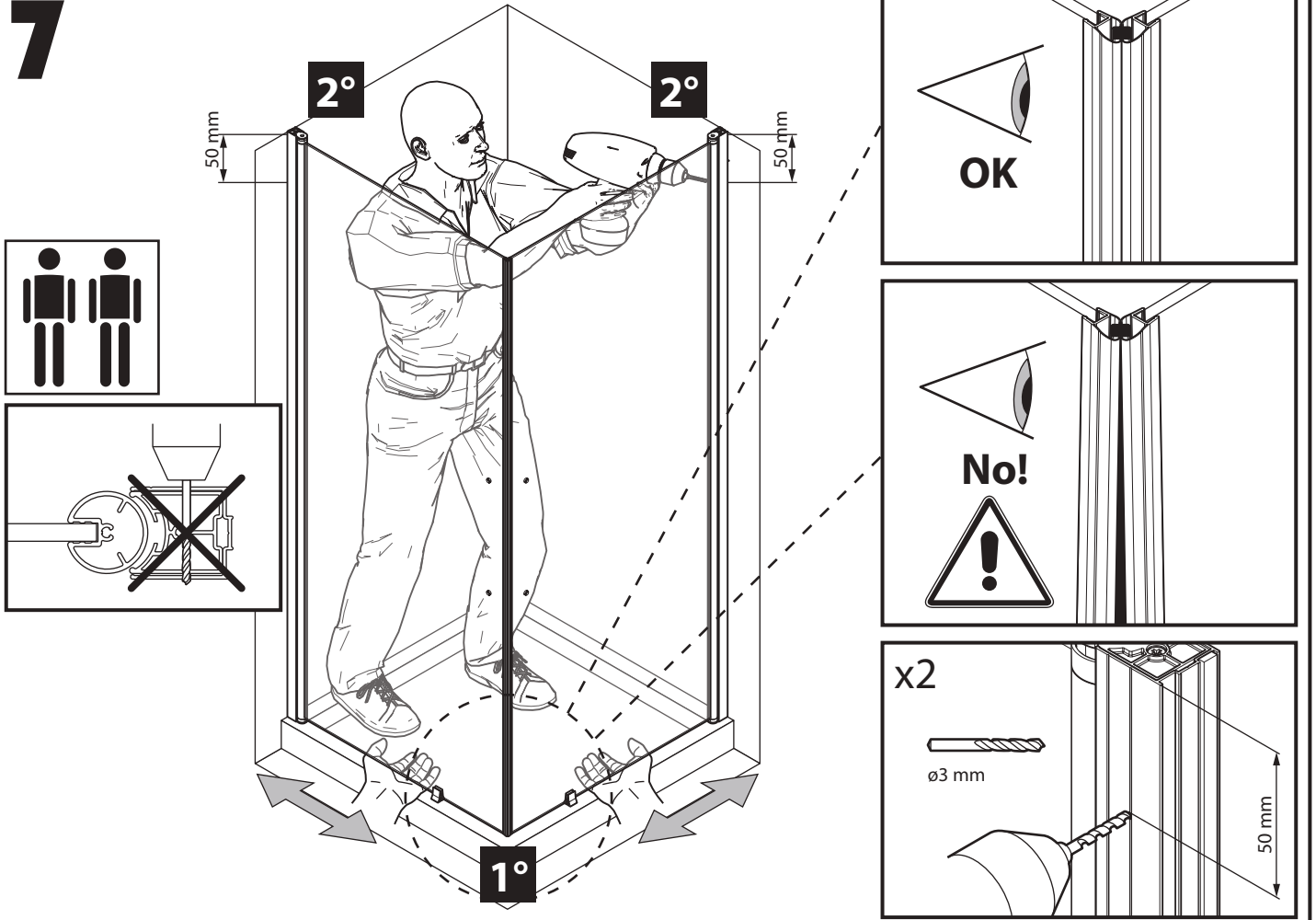
5



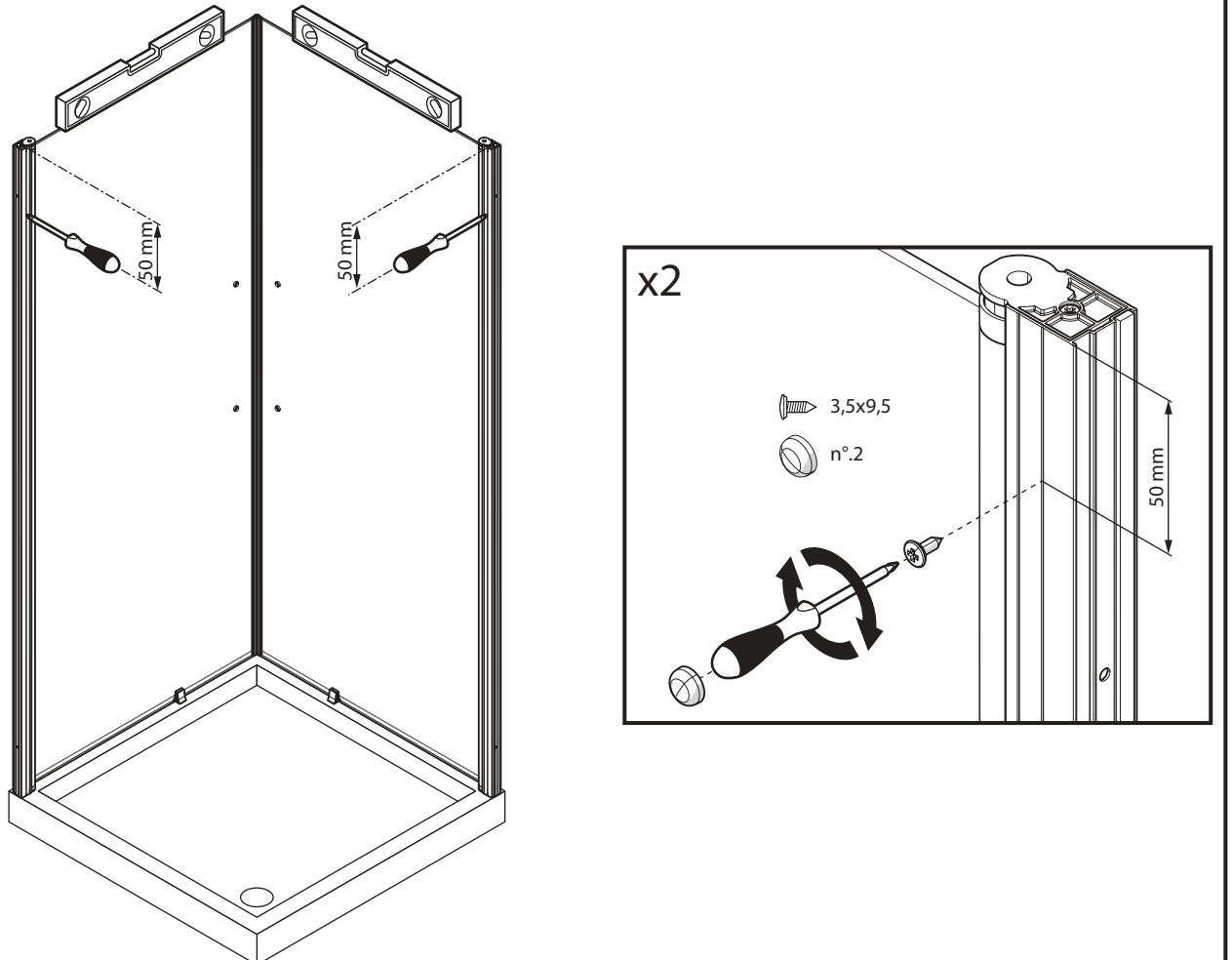
6



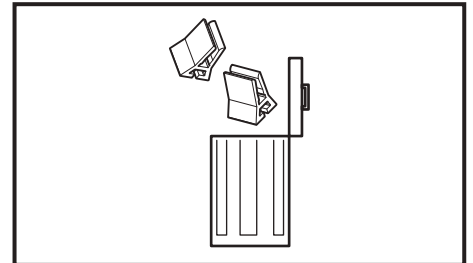
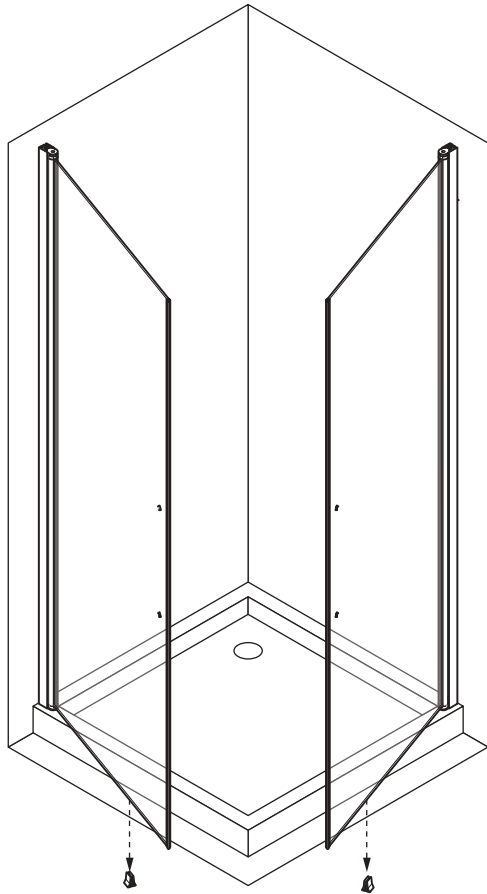
7



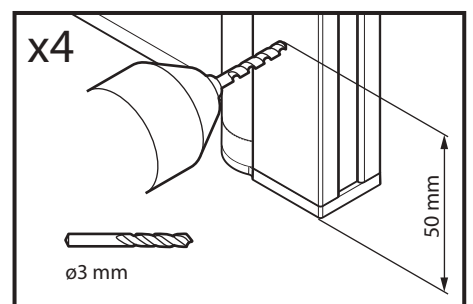
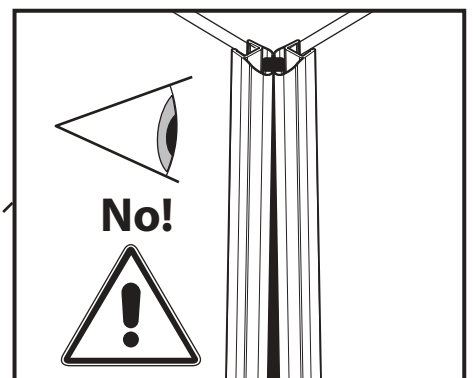
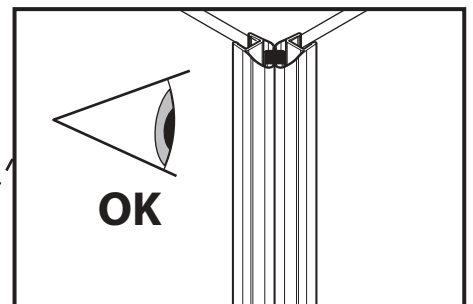
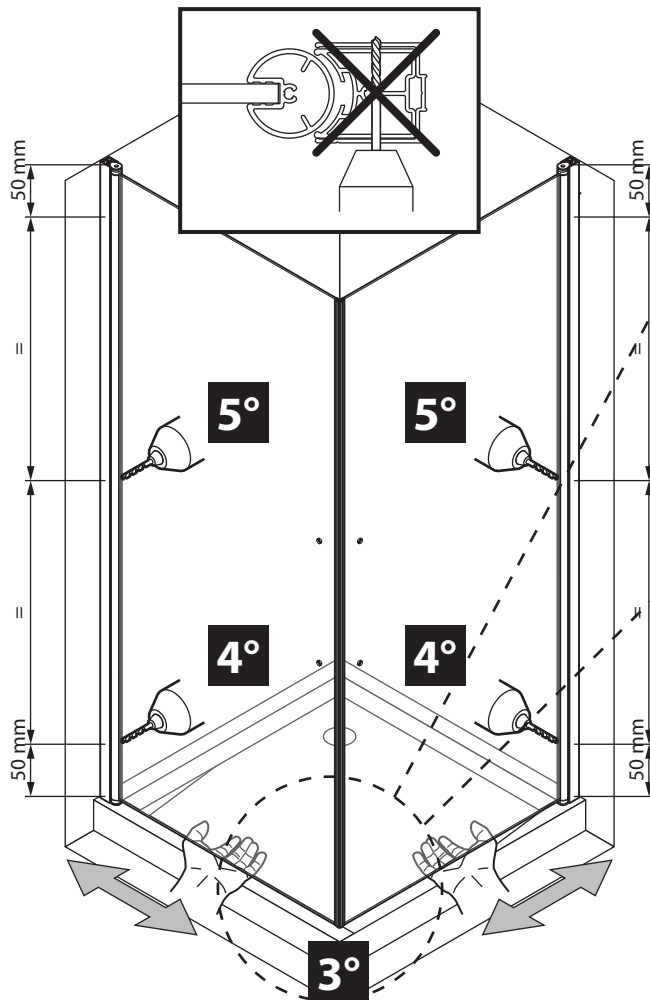
8



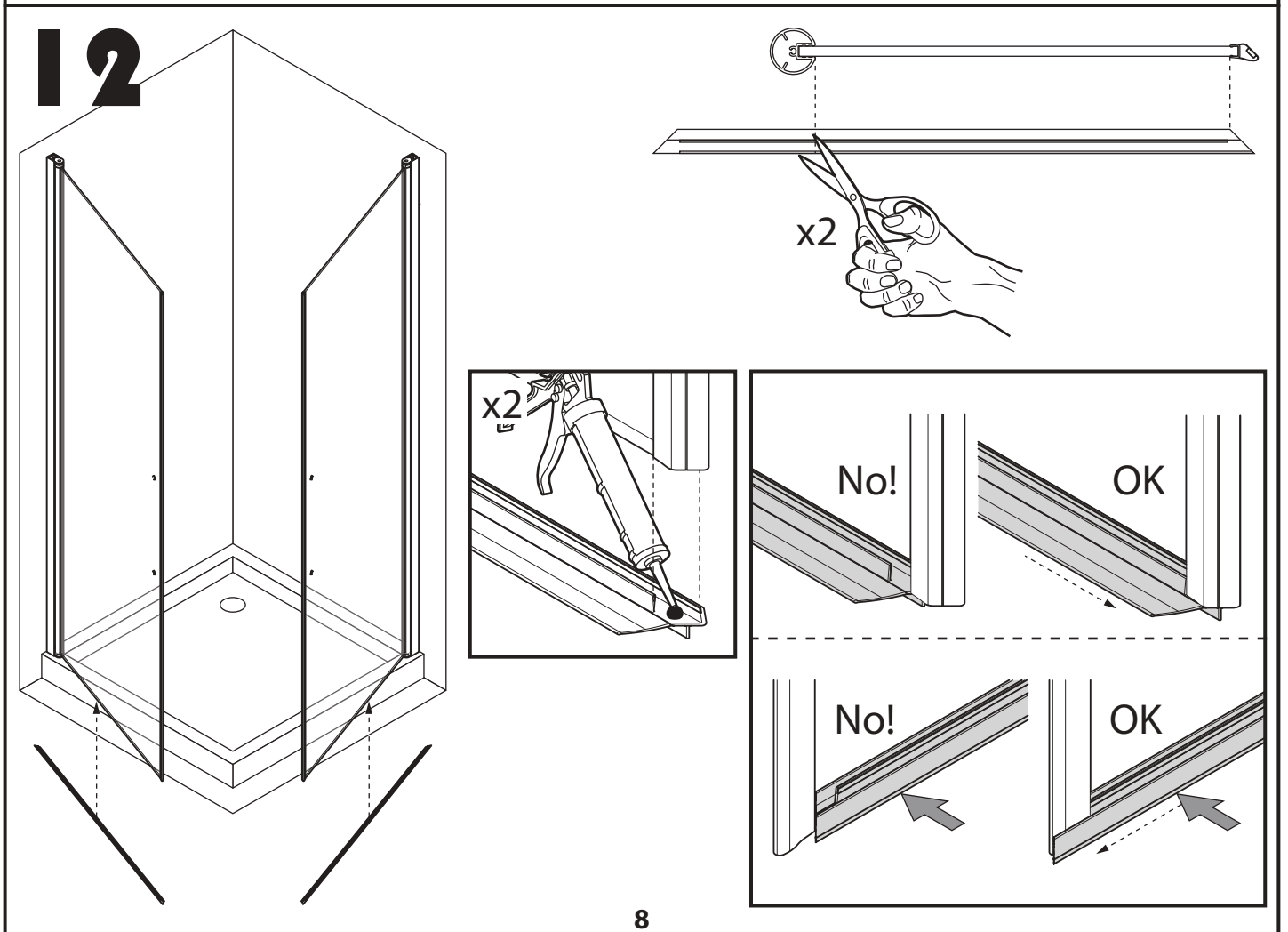
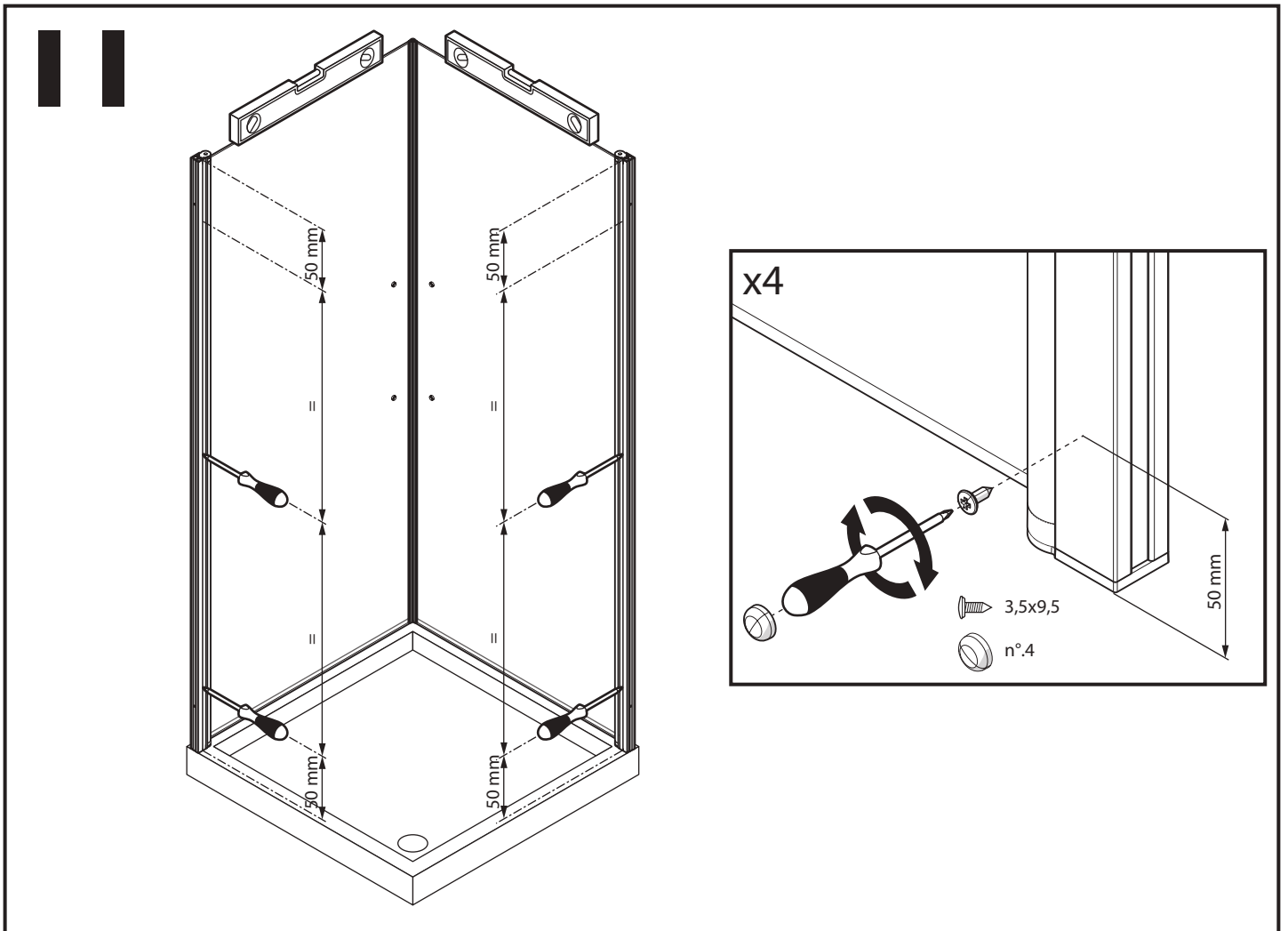
9



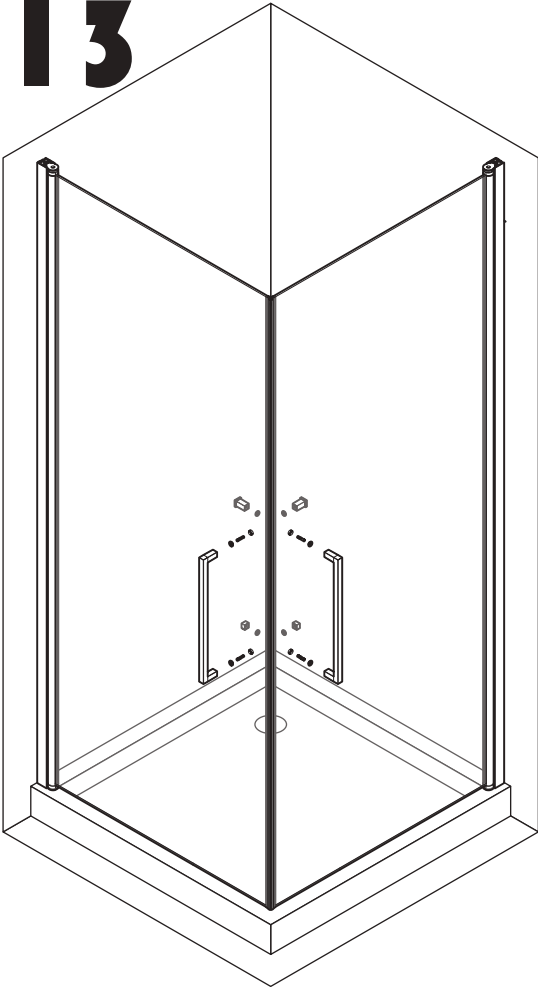
10



7

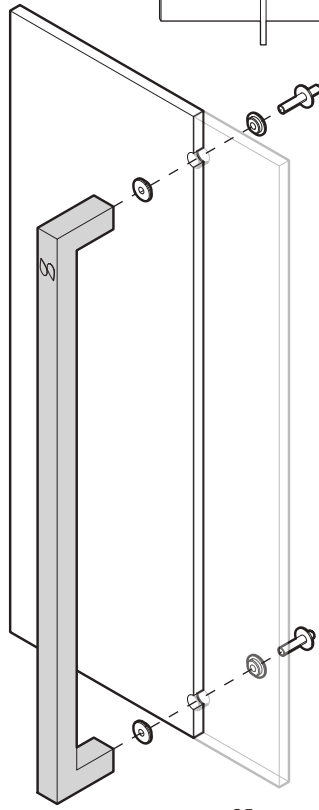


13

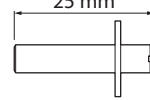


x2

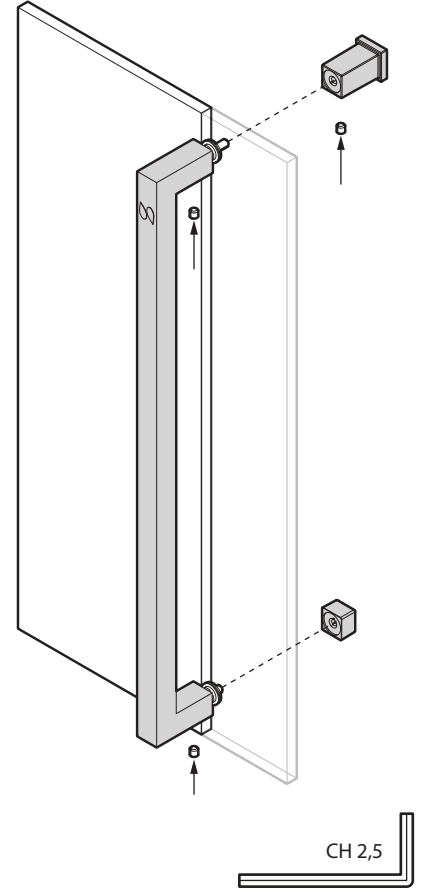
31 mm



25 mm

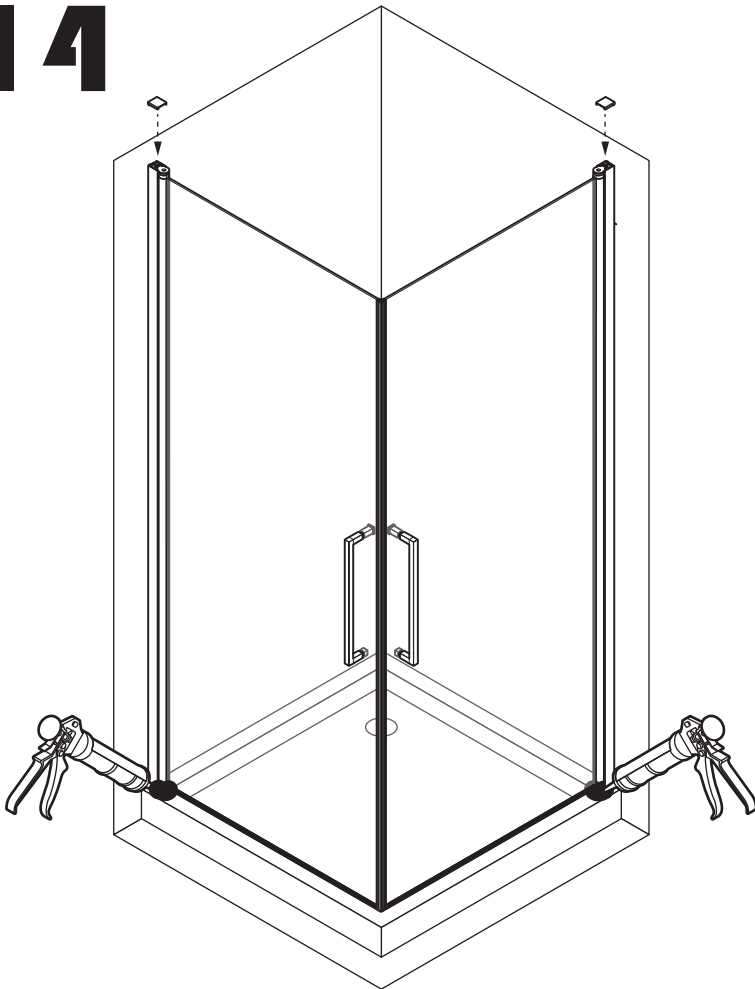


x2

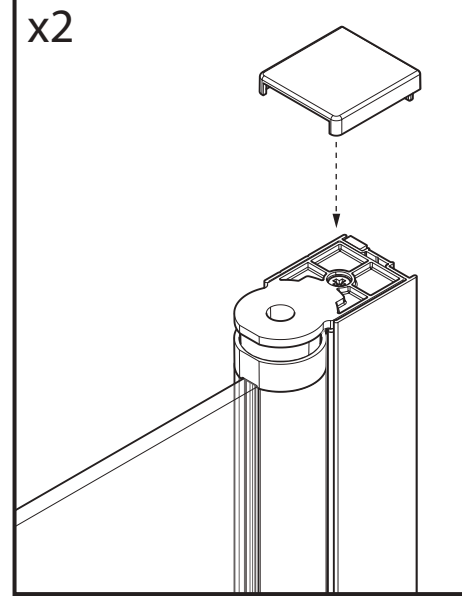


CH 2,5

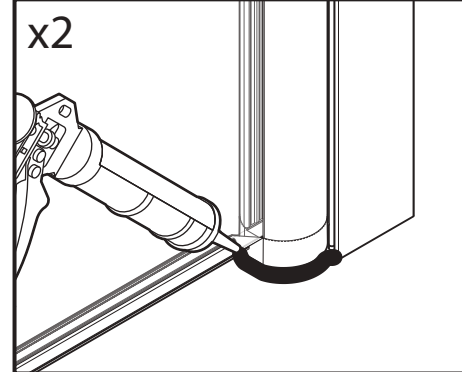
14



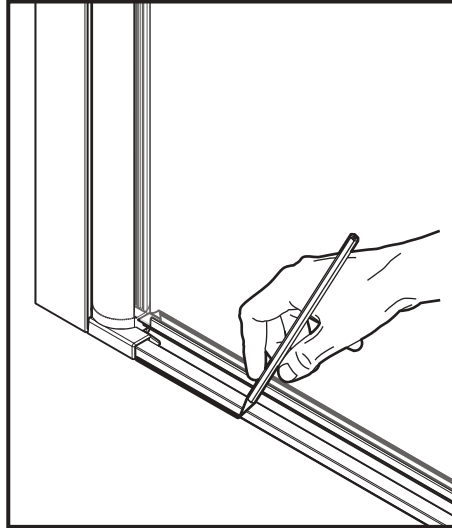
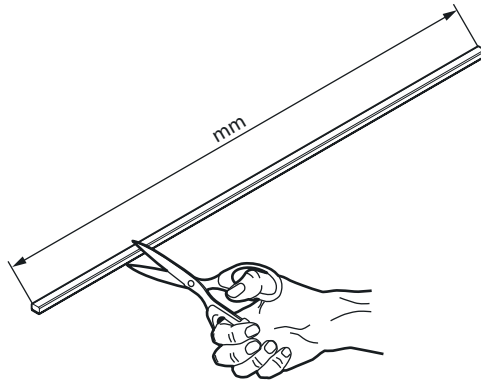
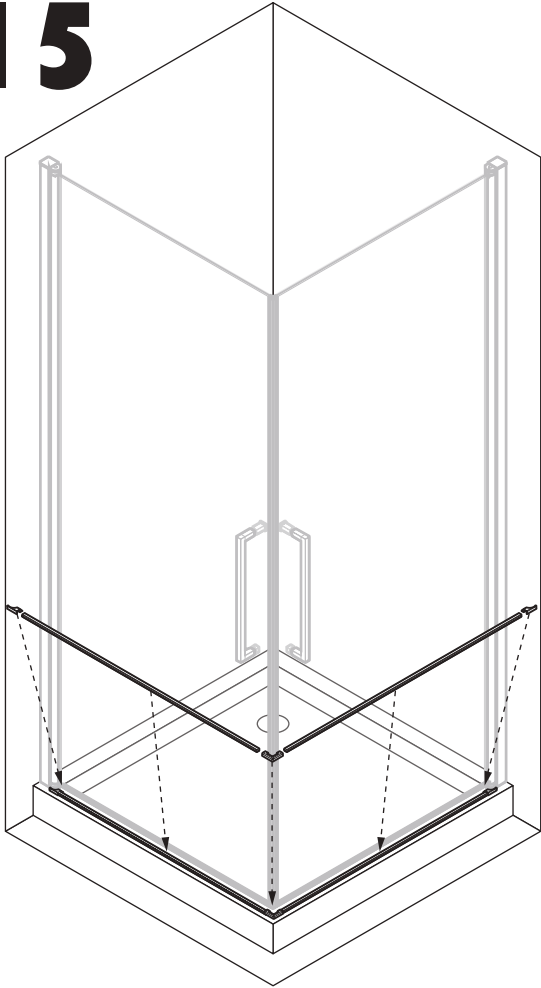
x2



x2

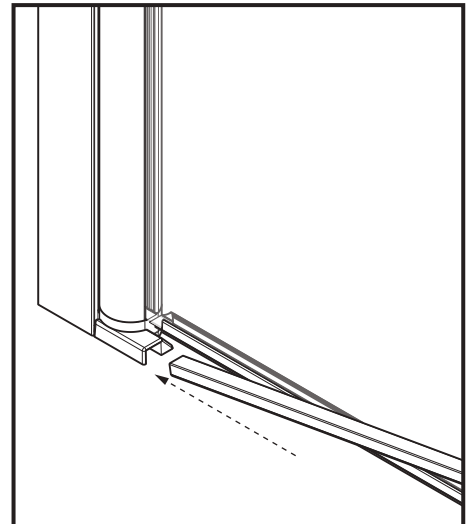
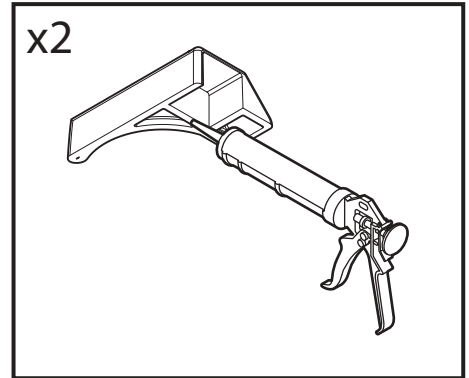
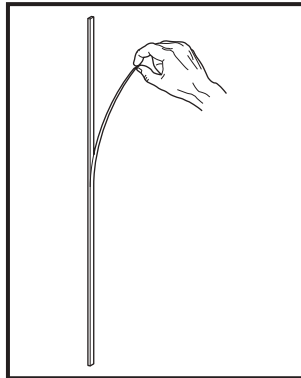
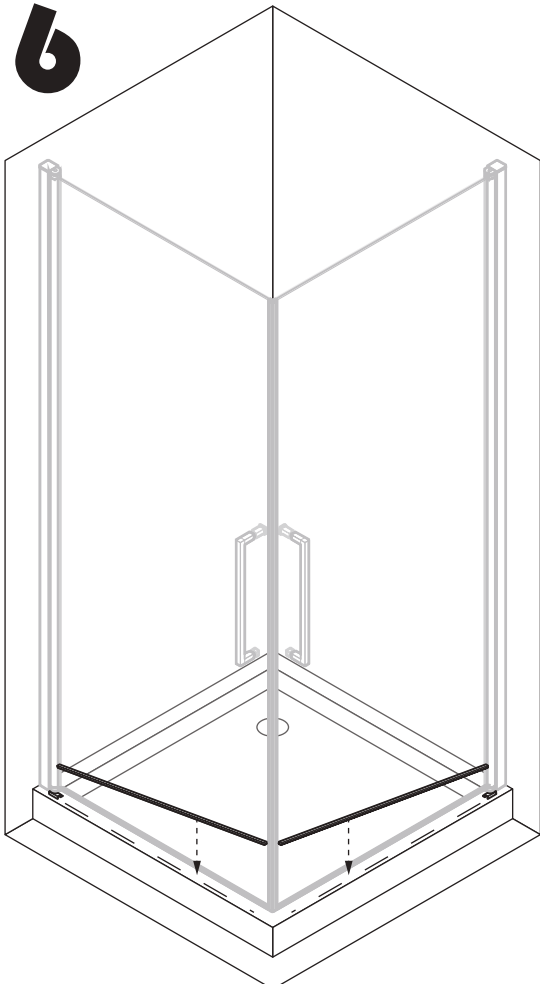


15

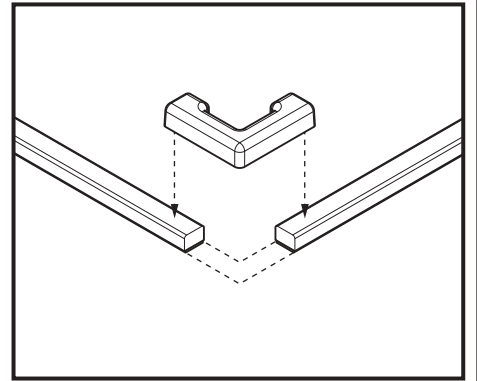
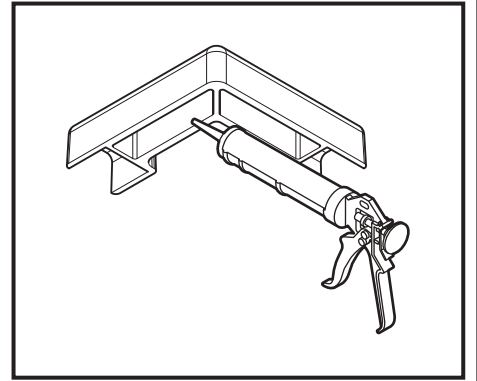
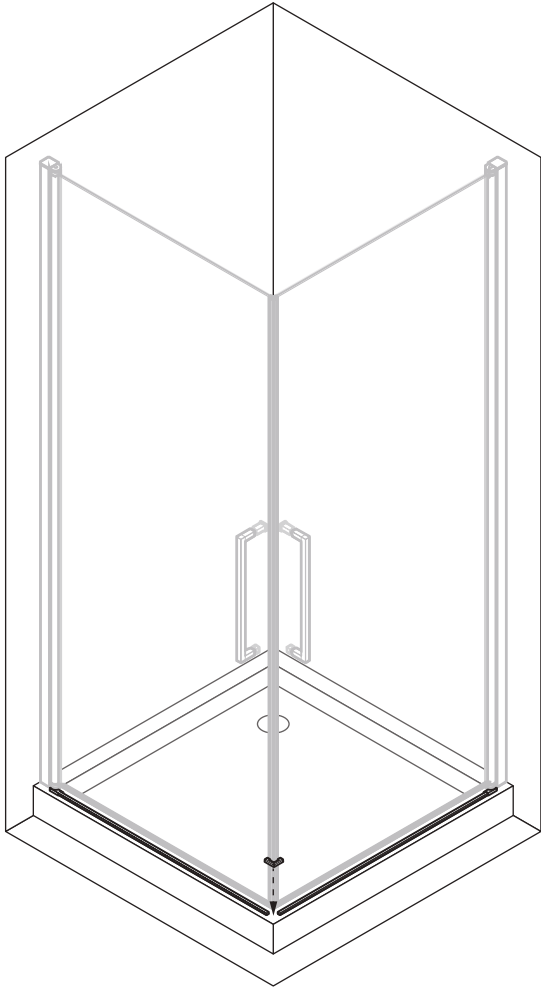


mod. 2G	mm
57-59	482
59-61	502
61-63	522
65-67	562
67-69	582
69-71	602
72-74	632
74-76	652
76-78	672
77-79	682
79-81	702
81-83	722
85-87	762
87-89	782
89-91	802
91-93	822
95-97	862
97-99	882
99-101	902
101-103	922
106-108	972

16



17



18

