

TECHNICAL DATA SHEET

Antique Pine Millennium Toilet Seat - O104M

TAVISTOCK

NO.	Description	Product Code	Fixings included	Gross Weight	Seat Weight
1	Antique Pine Millennium Toilet Seat	O104M	YES	3.1kg	N/A



Spares Codes

Spare Hinges (pair) - TSP0284

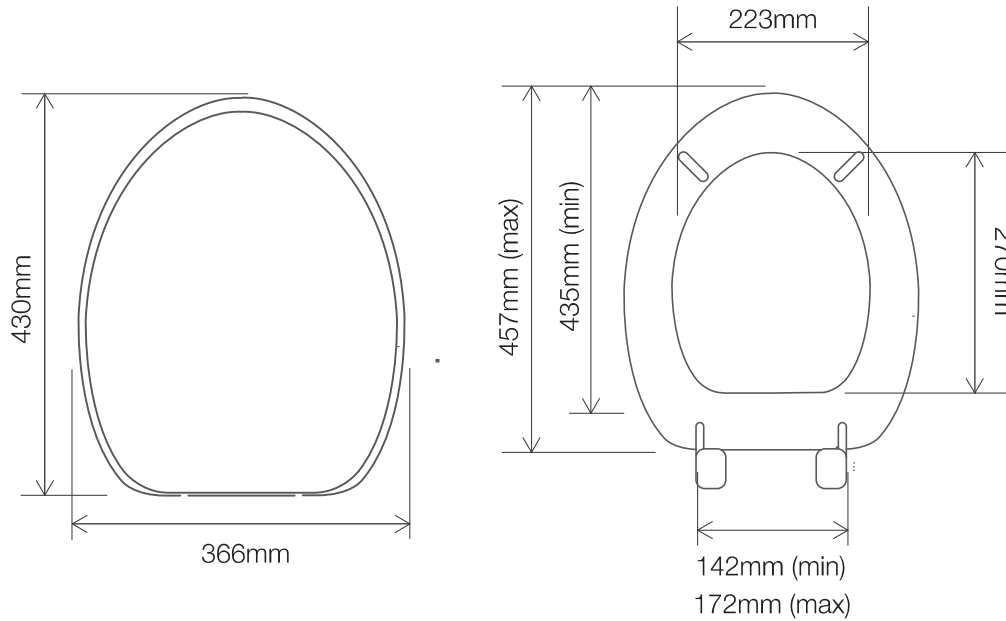
Hing Fixing Pack - TSP0287

Lid Buffer - SP10777

Ring Buffer - SP10776

DIMENSIONS

DIAGRAMS NOT TO SCALE | ALL DIMENSIONS IN MM | TOLERANCE OF ± 5 MM
ALL PRODUCTS CONFORM TO THE BRITISH FIXING STANDARDS



*Dimensions are subject to change, customers are advised to measure actual product before commencing installation.

FAQs

Q - What's the maximum test load of the seat?

A - 150kg

Q - What are the hinges made from?

A - Chrome plated brass

Q - What is the substrate?

A - Pine Veneer on MDF

Key Dimensions Descriptions	Key Dimensions (mm)
Seat/Lid Front to Back	430mm
Seat/Lid Left to Right	366mm
Ring Hole Front to Back	270mm
Ring Hole Left to Right	223mm
Seat Ring Thickness	15mm
Min/Max Adjustment for Fixings	142/172, 435/457