

INSTALLATION MANUAL

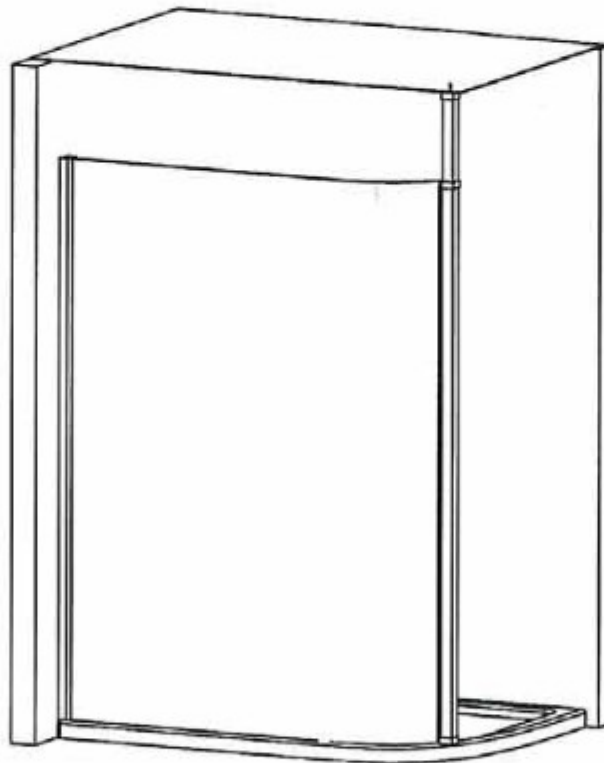
Eastbrook Code	Adjustment	Eastbrook Code	Adjustment
69.0149	990-1000	69.015	1090-1100
69.0151	1190-1200	69.0152	1290-1300
69.0153	1390-1400		

This product should only be fitted by a fully qualified installer

The product must be unpacked and checked for quality prior to installation .

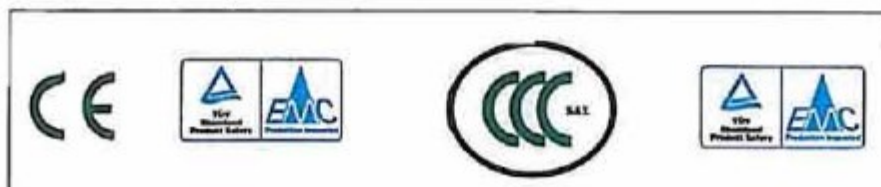
Any missing parts or damage must be reported to your supplier within 10 days of purchase and before installation .

No claims can be enforced outside of these terms .

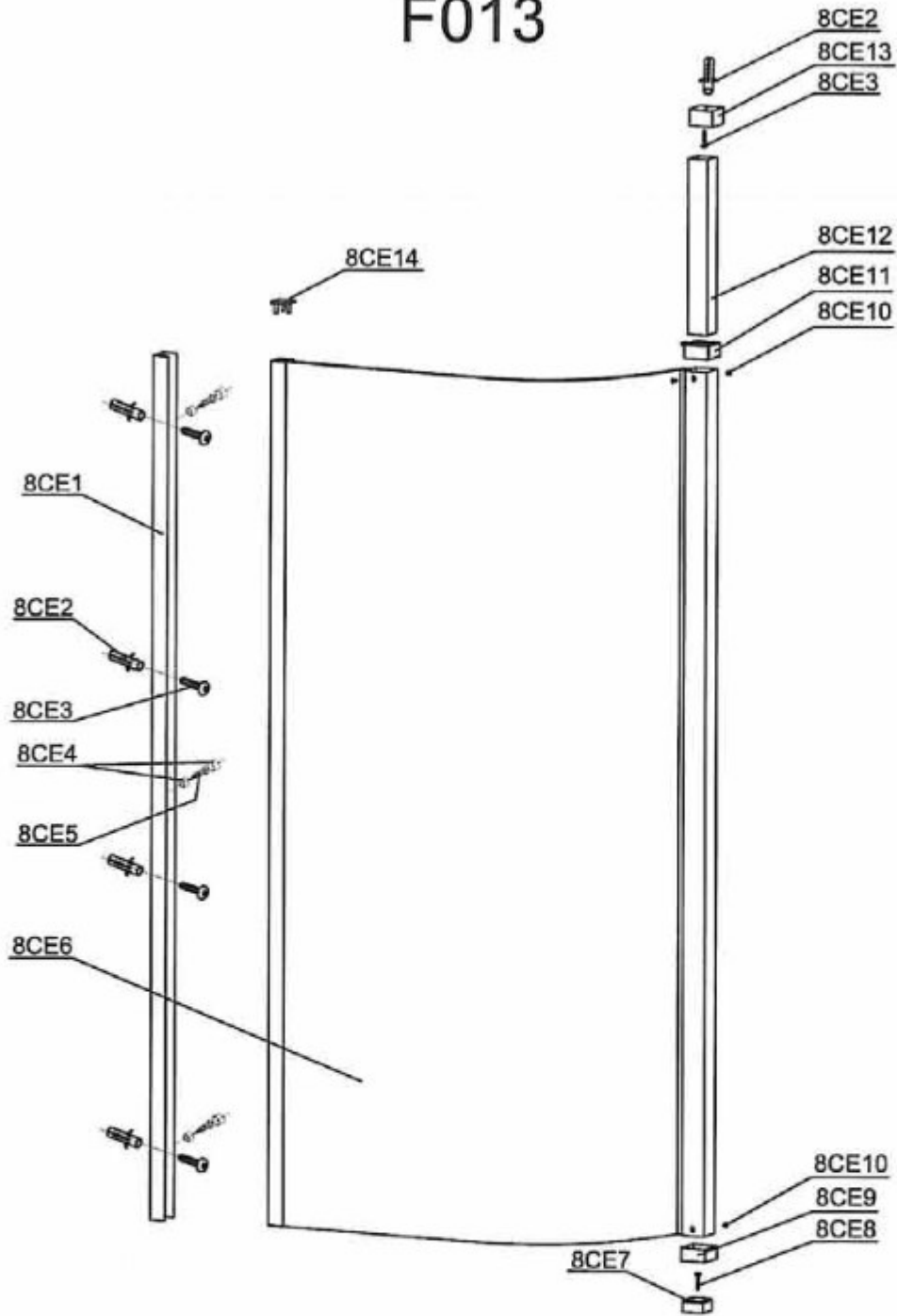




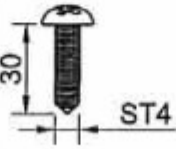

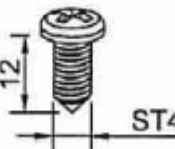

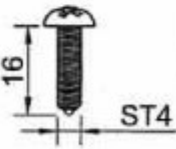






Please make the following checks before commencing installation:

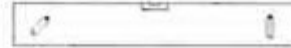
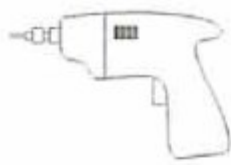
- **The product supplied is the required size and adjustment is compatible with the site situation**
- **Check all component parts are present, see packing list and product schematic diagram for reference.**
- **Make sure you have all the required tools.**



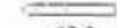
F013



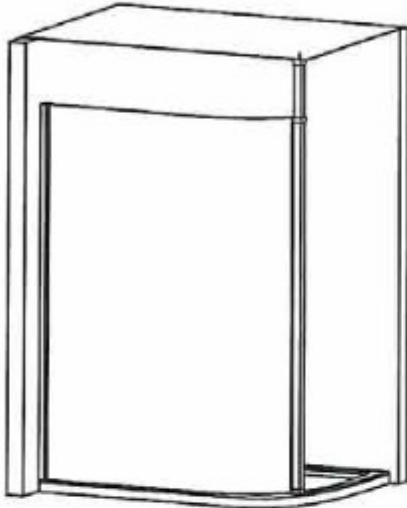
<p>8CE1</p>  <p>1X</p>	<p>8CE2</p>  <p>5X</p>	<p>8CE3</p>  <p>5X</p>	<p>8CE4</p>  <p>3X</p>	<p>8CE5</p>  <p>3X</p>	<p>8CE7</p>  <p>1X</p>	<p>8CE8</p>  <p>1X</p>
<p>8CE9</p>  <p>1X</p>	<p>8CE10</p>  <p>3X</p>	<p>8CE11</p>  <p>2X</p>	<p>8CE12</p>  <p>1X</p>	<p>8CE13</p>  <p>1X</p>	<p>8CE14</p>  <p>1X</p>	



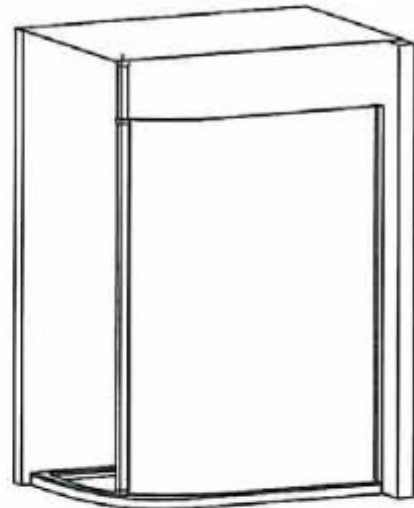
Ø6



Ø3.2

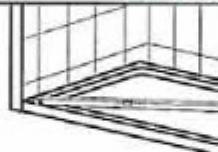


LH



RH

1L



12mm

8CE1

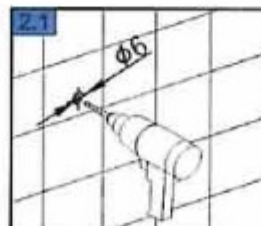
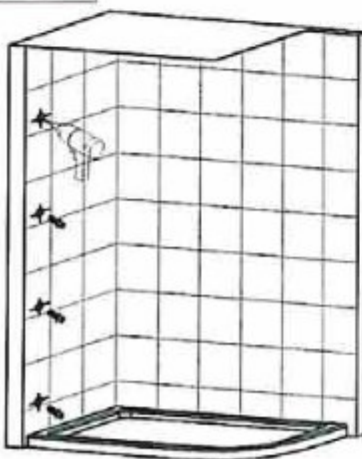
1R



12mm

8CE1

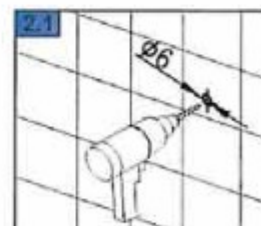
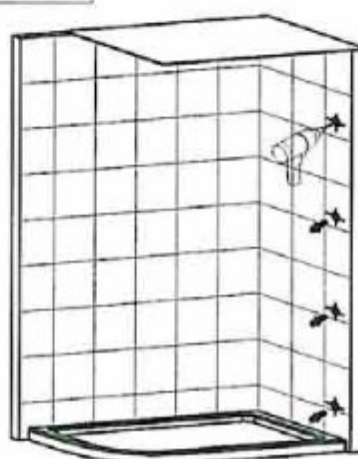
2L



8CE2(4X)



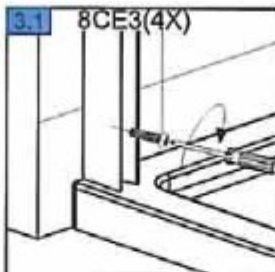
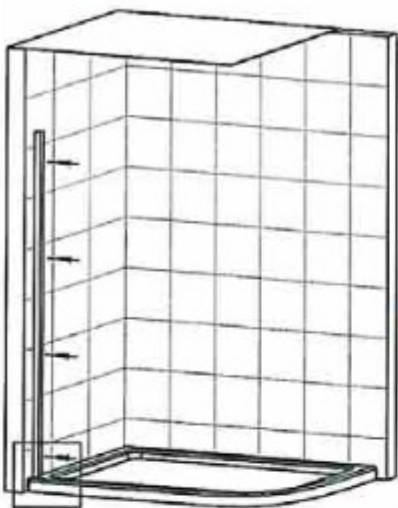
2R



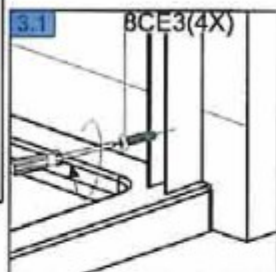
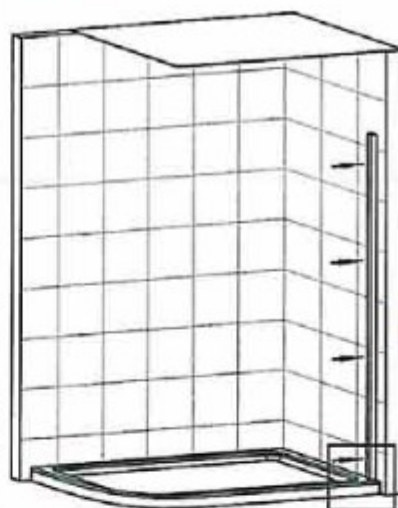
8CE2(4X)



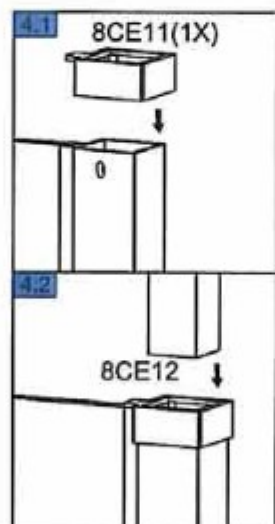
3L



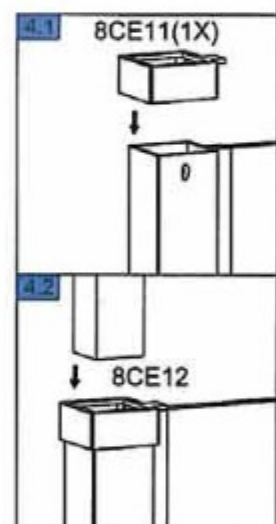
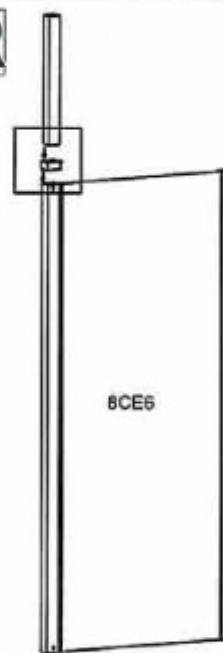
3R



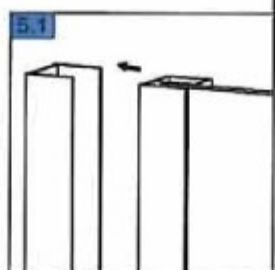
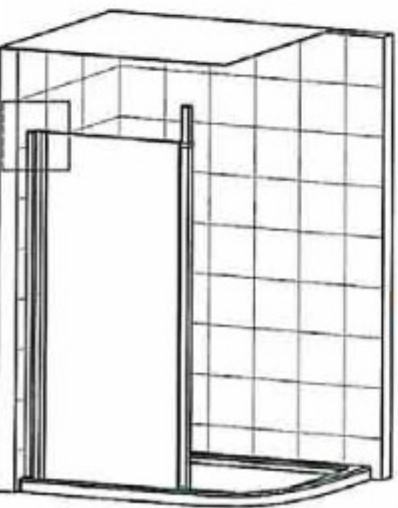
4L



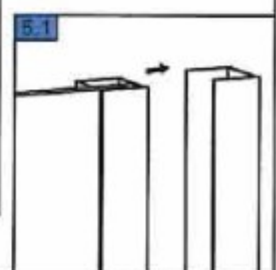
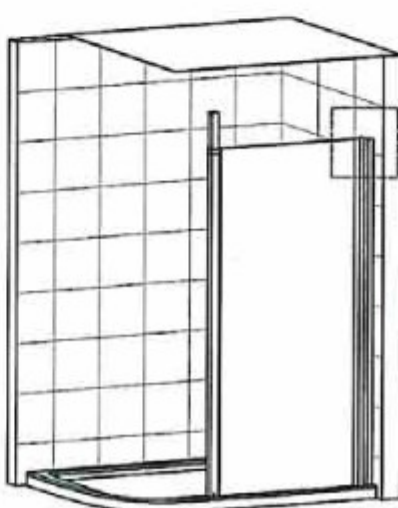
4R



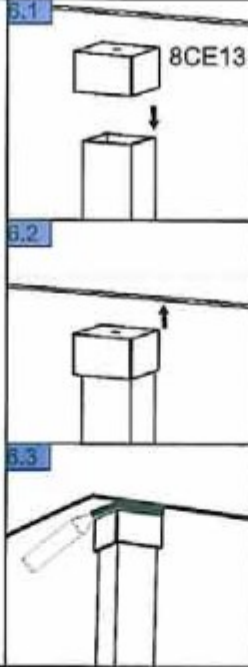
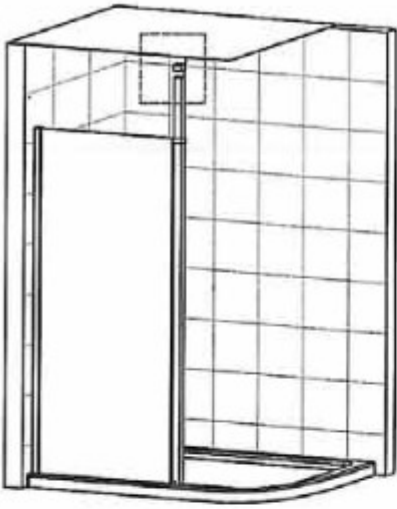
5L



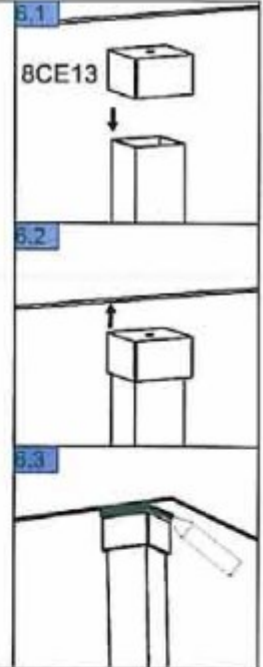
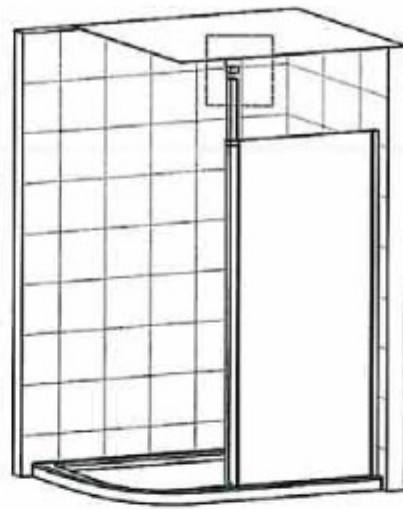
5R



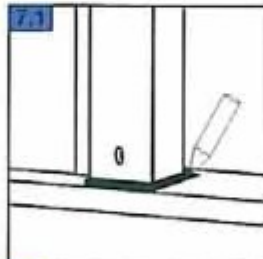
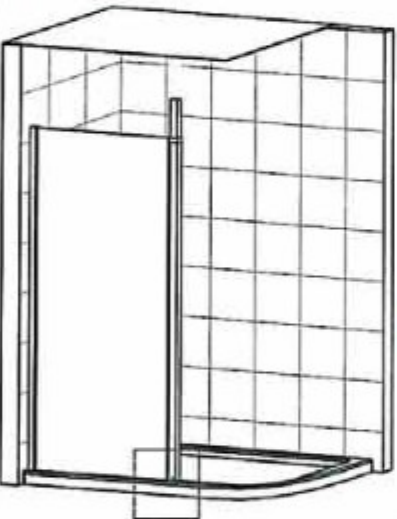
6L



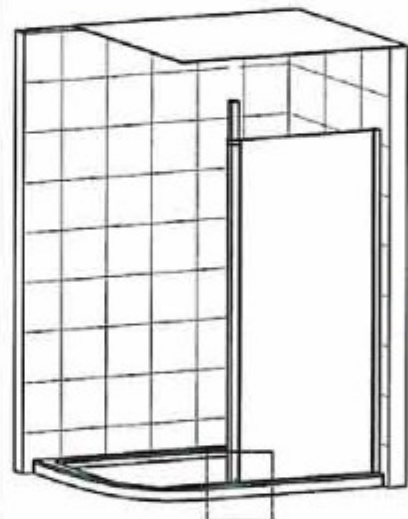
6R



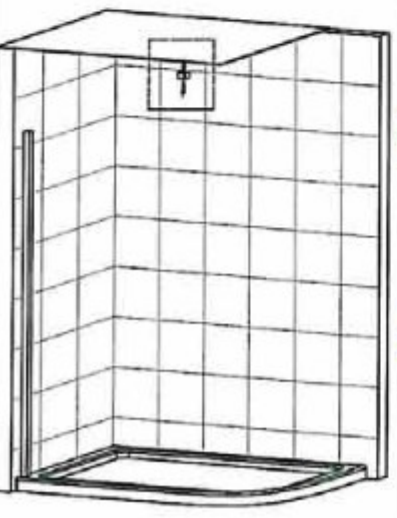
7L



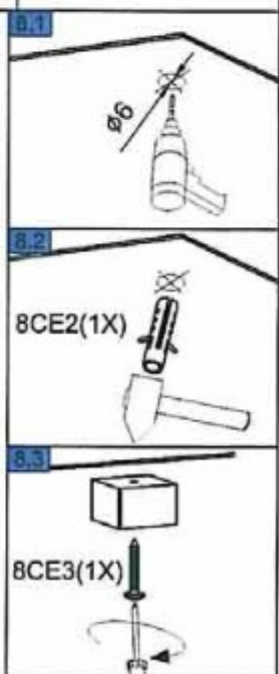
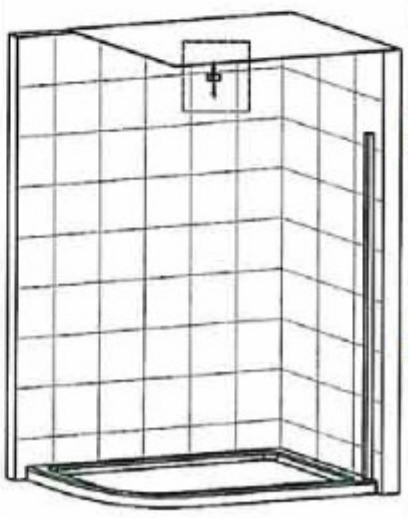
7R



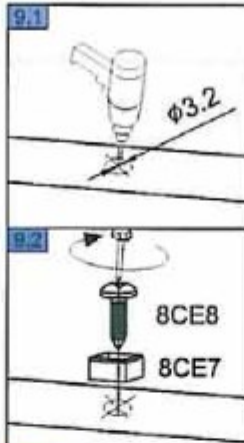
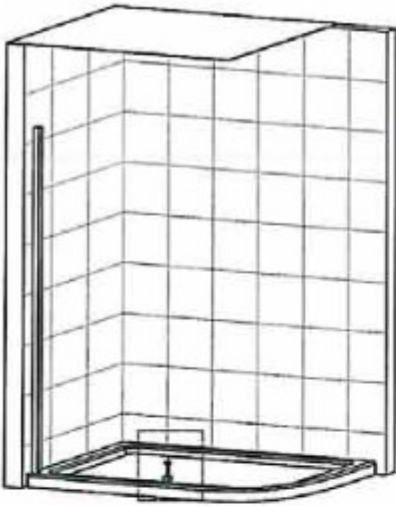
8L



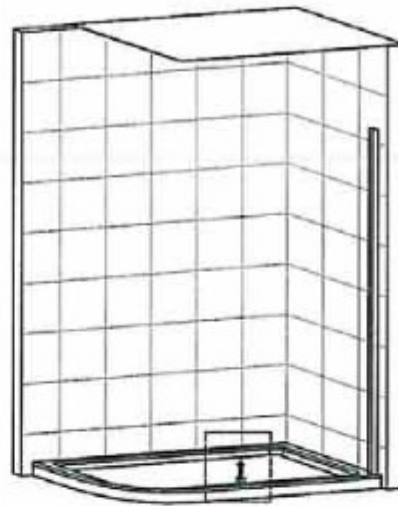
8R



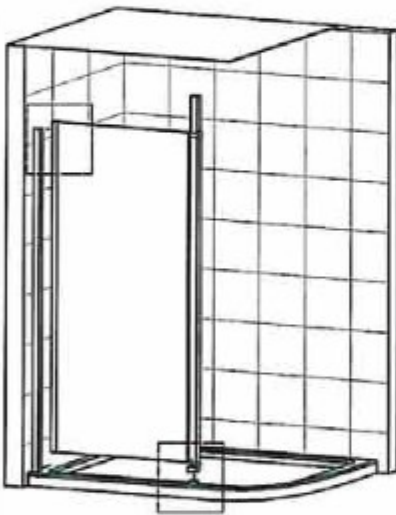
9L



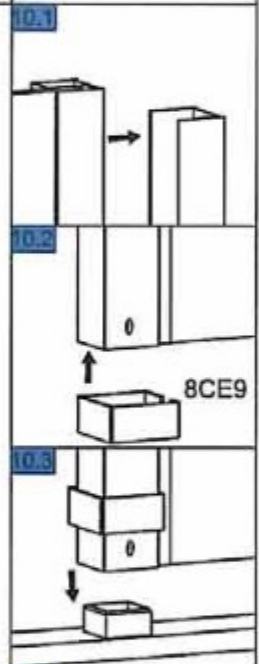
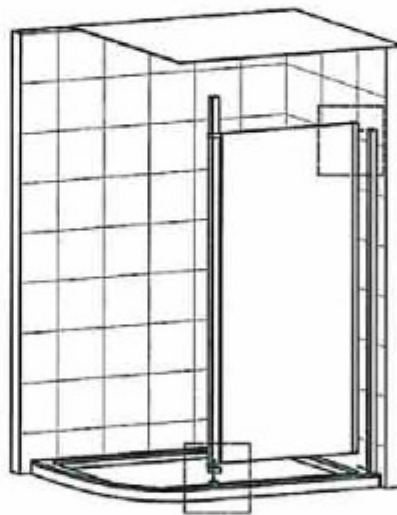
9R



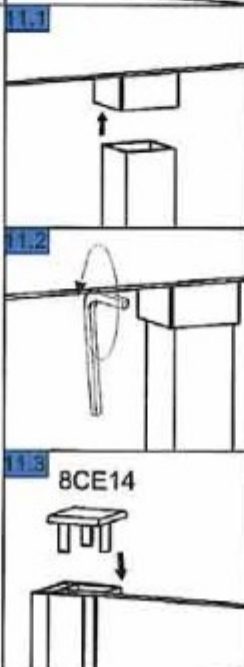
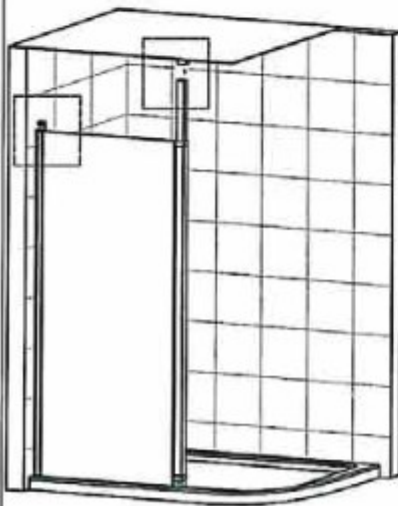
10L



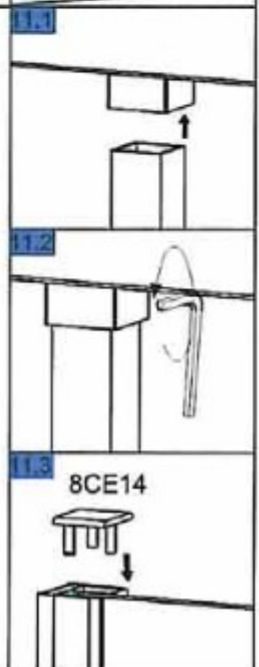
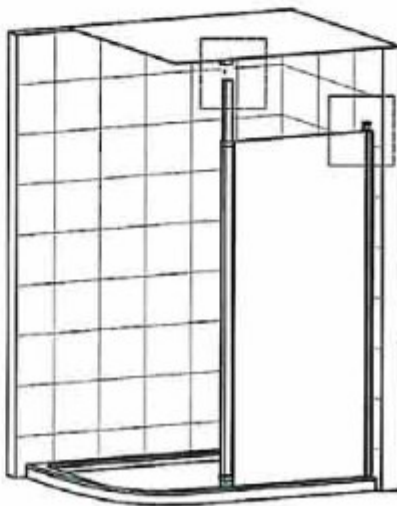
10R



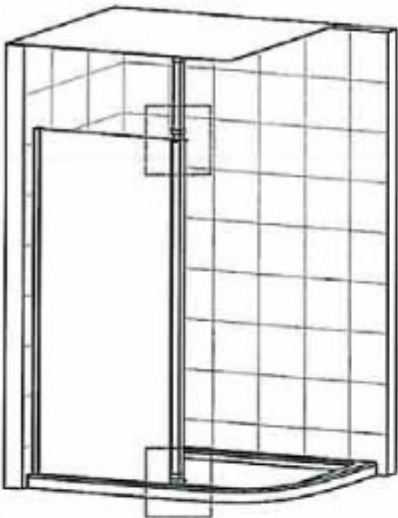
11L



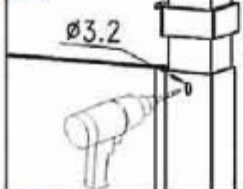
11R



12L



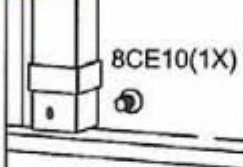
12.1



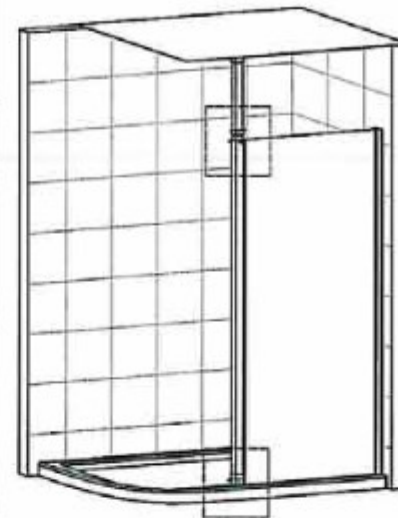
12.2



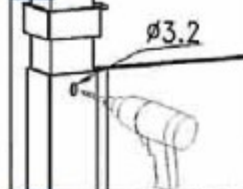
12.3



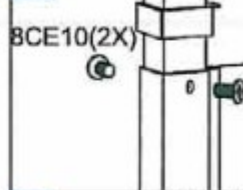
12R



12.1



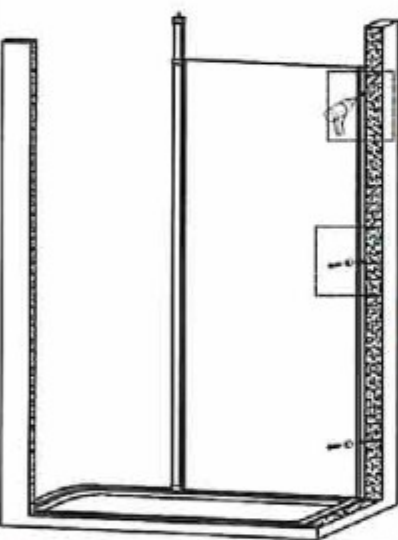
12.2



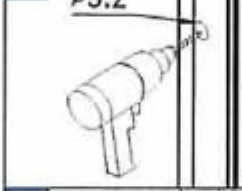
12.3



13L



13.1



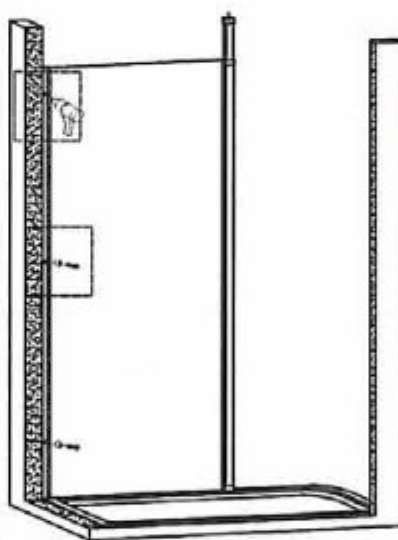
13.2



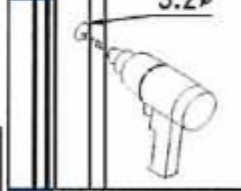
13.3



13R



13.1



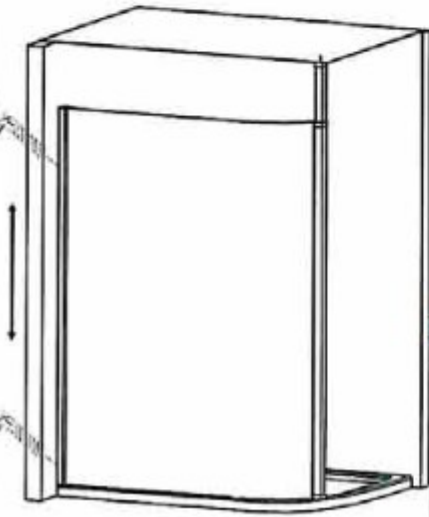
13.2



13.3



14L

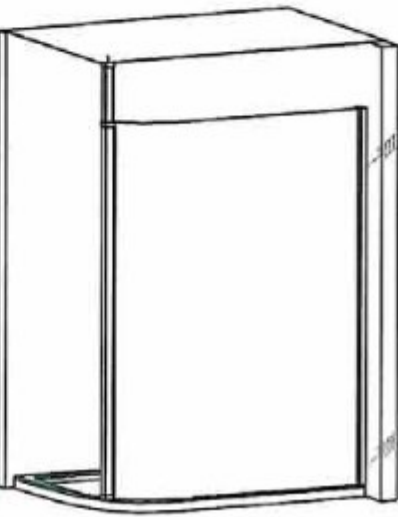


Silicone on outside only as illustrated

14.1



14R



Silicone on outside only as illustrated

14.1



Cleaning Maintenance

Don't clean the shower enclosure with irritant detergent such as alcohol, bleach or other chemical cleaners

Only clean with warm soapy water.

Helpline :01452 317890
Monday---Friday:8:00am---5:00pm