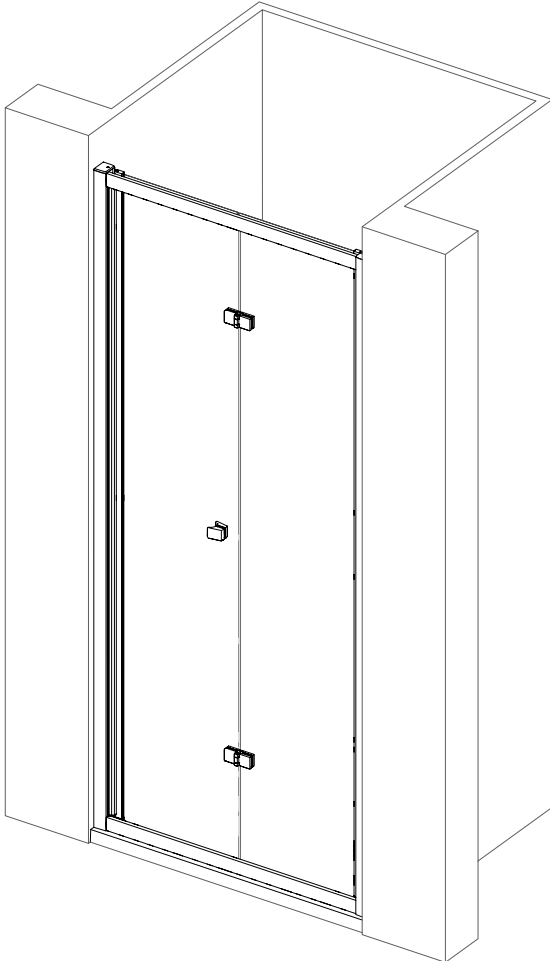


BIFOLD DOOR 760, 800 & 900mm

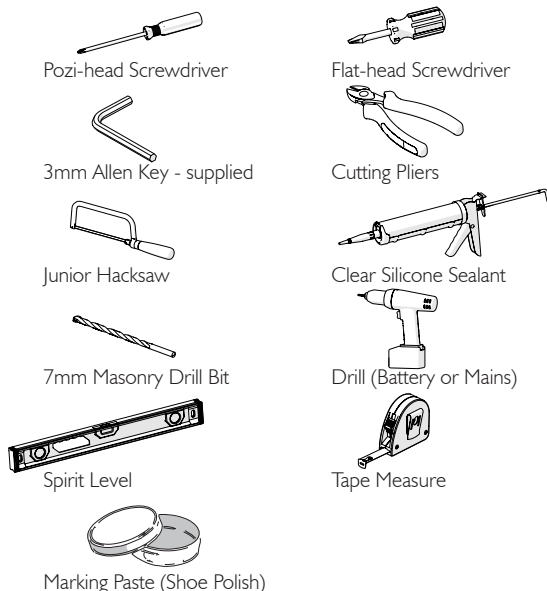
Please read these instructions throughout before installing as incorrect fitting will invalidate the guarantee.
If you are unsure about these instructions please contact Kudos Shower Products 01539 564040.

HEALTH & SAFETY WARNING

DUE TO THE WEIGHT & SIZE OF THE GLASS PANEL(S) A MINIMUM OF TWO PERSONS ARE REQUIRED TO MOVE AND INSTALL THIS ENCLOSURE



Tools Required



Cleaning - General

For the wall post and fixings use only warm soapy water and damp cloth/ sponge on a regular basis. After cleaning please rinse with clean water to remove any residue.

Do not use abrasive scouring powders, chemicals or aerosol cleaners - these may result in damage to the surfaces, in particular, the plated component parts.

Kudos LifeShield Glass Treatment

The glass panels are pre-treated with Life Shield on the inside surfaces only. Whilst this makes cleaning the glass easier and helps prevent the build up of harmful lime-scale and soap deposits, the glass still needs to be maintained on a regular basis. We recommend the use of a detergent and aroma free glass cleaner (A 50/50 mix of white vinegar and water works well).

DO NOT use strong detergents, abrasive cleaners or abrasive scrubbing equipment for cleaning, these can damage the coating.

DO use a squeegee to remove remaining droplets of water from glass after showering, any build up of residue can be removed easily using an appropriate cleaner and agitation from soft cleaning equipment.

Important

Check appearance of all product - any defects must be reported to Kudos Shower Products before assembly/installation. Claims for imperfections will only be accepted prior to assembly/installation.

Any claims made under the terms of the Lifetime Guarantee must be reported to Kudos within 21 days of the fault occurring.

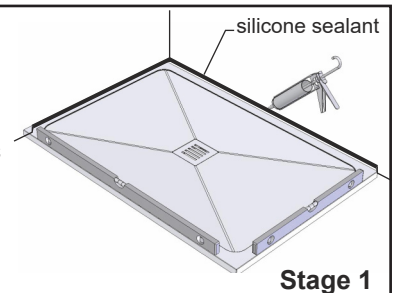
Check the enclosure adjustment sizes are suitable for your installation.

Use care when drilling into the walls to avoid hidden pipes or electric cables.

Shower Tray

Ensure the top of shower tray is LEVEL in ALL directions.

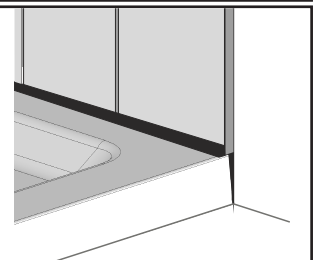
Once the tray is installed but before the wall tiles are fitted, any gap between the tray and the walls must be filled with silicone sealant flush with the top of the tray.



Stage 1

Once the walls have been tiled but before the enclosure is installed, the tiles must be silicone sealed to the tray all of the way around in one continuous bead.

Failure to follow these instructions will result in leakage problems.



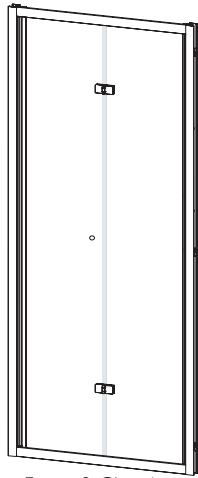
Stage 2

THESE INSTRUCTIONS ARE TO BE LEFT WITH THE CONSUMER

Important

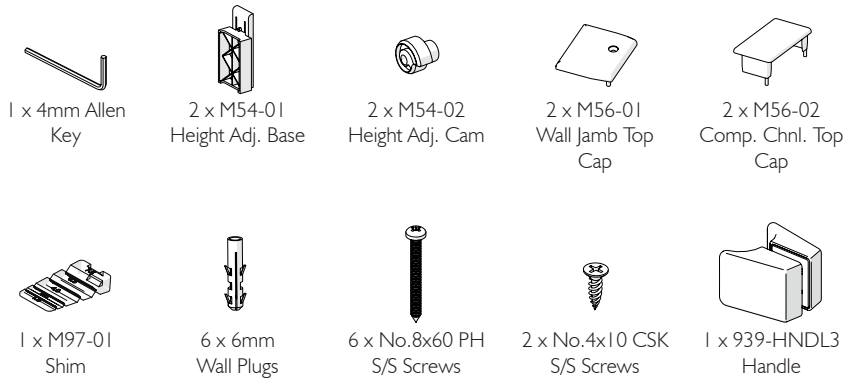
IF YOU ARE INSTALLING A **SIDE PANEL** TOGETHER WITH THIS DOOR, PLEASE READ THESE INSTRUCTIONS IN CONJUNCTION WITH THE INSTRUCTIONS FOR THE SIDE PANEL PROVIDED IN THE SIDE PANEL PACKING.

Parts List



1 x Frame & Glass Assembly

Installation Pack



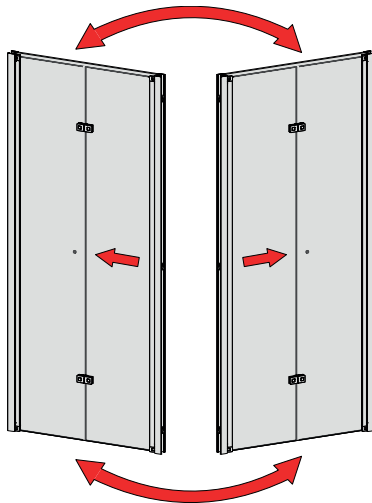
Installation Steps

Important

BEFORE CARRYING OUT THESE INSTALLATION INSTRUCTIONS PLEASE DECIDE THE HANDING OF THE DOOR. IF HINGING OFF A SIDE PANEL OPTION IS REQUIRED PLEASE REFER TO THE SUPPLEMENTARY STEPS FOUND ON PAGE 5.

Step 1 - Determine Handing of the Door

1. Stand the 'Frame Assembly' upright, leaning against a wall with the door glass facing the user, coming away from the wall, **so that the door can't hinge open. Ensure all contact corners are protected.** Determine if the shower enclosure is to be opening from the left or right (handle hole will be on the left for right handed and right for left handed) as shown by arrows.

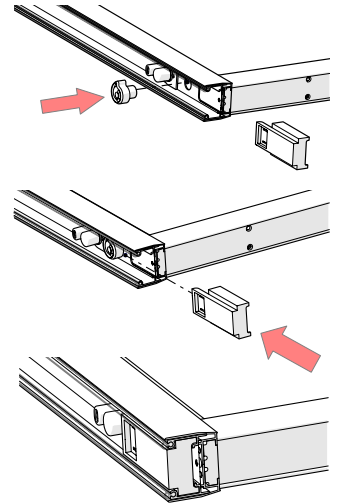


Step 2 - Fit Height Adjusters

1. Once opening has been determined. Insert 'Height Adj. Cam (M54-02)' into the hole on bottom corner of the outer face of the frame, ensure the cam is orientated as shown.

2. Slide the 'Height Adj. Base (M54-01)' into the frame, over the 'Height Adj. Cam,' It 'clicks' once engaged.

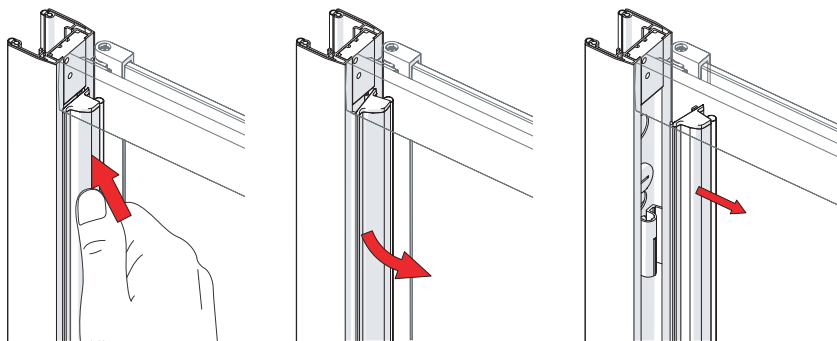
3. Push the 'Height Adj. Base' fully into the frame, flush to the bottom. Repeat for opposite side.



Step 3 - Remove Clip-In Extrusions

1. Locate the clip-in extrusions down the in side of the frame, press and rotate the clip-in extrusion at top, middle and bottom of door frame, to gently prise the extrusion away from the frame by hand only.

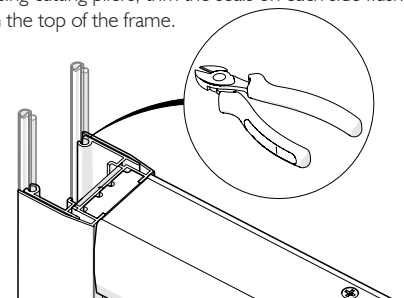
2. Remove the clip-in extrusion from each side of the frame.



Step 4 - Trim Excess Seal

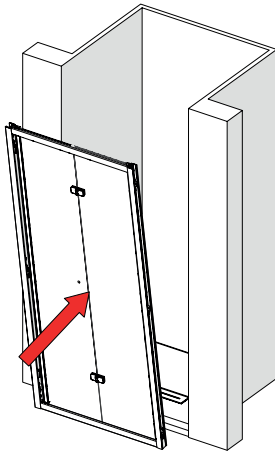
1. During the manufacturing process the seals on each side of the frame are often left 'long' to allow for expansion and contraction during transit. Ensure the seals are sitting flush with the bottom of the frame on each side.

2. Using cutting pliers, trim the seals on each side flush with the top of the frame.

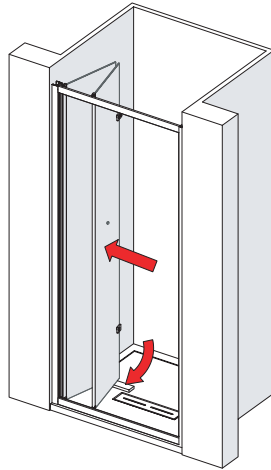


Step 5 - Offer Up & Adjust Fit

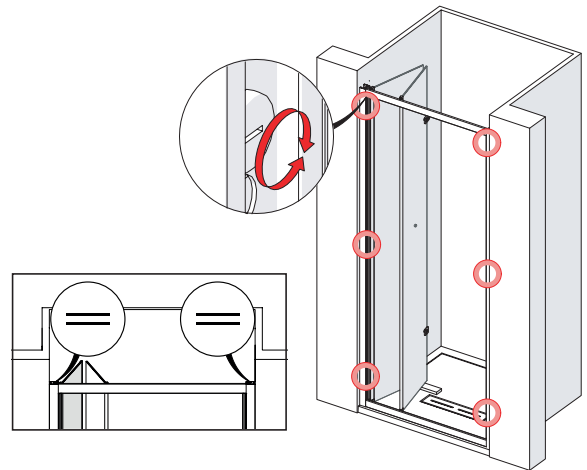
1. 'Offer up' the frame into the recess, ensuring the bottom is sat firmly on the shower tray. **Take care as door can swing open.**



2. Use polystyrene from the packaging to 'prop' the door open, or use a suitable 'packer'. **Make sure the door is secure.** Otherwise the door will want to move whilst installing.

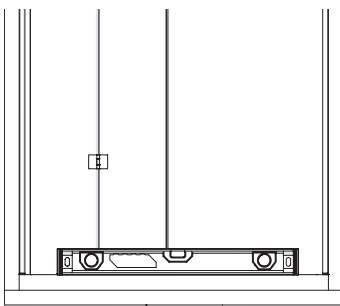


3. Using a flat headed screwdriver, adjust the six nylon adjustment screws, three down each side, in an **anti-clockwise direction**, until the frame has expanded and is only slightly wedged. Try to adjust each side equally, to achieve equal spacings down each side of the frame.

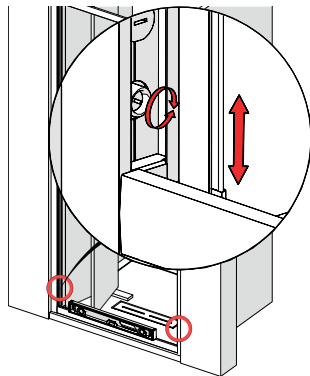


Step 6 - Adjust Height

1. Using a spirit level, check to see if the bottom frame is level, ensure the spirit level is sat down fully onto the sill.

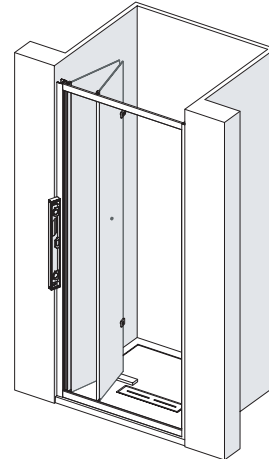


2. Using a flat-head screwdriver adjust the two nylon height adjustment screws (lower screw in each corner). Adjust until the bottom frame is level.

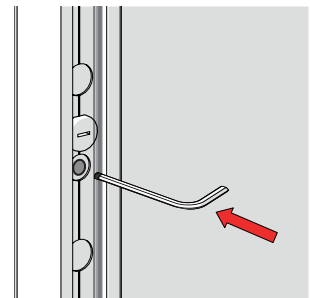


Step 7 - Mark Position of Holes

1. Using a spirit level, check that the frame is 'plumb' vertical.



2. Using a 3mm rod (we recommend a small Allen key or drill bit), place a small amount of marking paste (we recommend shoe polish) on the end of the rod, and 'spot' through the 3 screw holes down each side of the frame (blue lined).

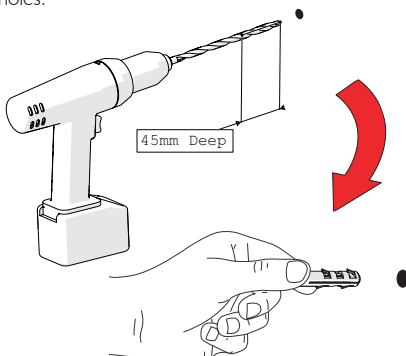


Step 8 - Drill Holes & Insert Wall Plugs

1. Remove the 'prop/packing' for under the door. Remove the frame from the recess, loosening the adjustment screws along each side if required (do not adjust the bottom height adjustment screws). Placing safely off to one-side. **Take care when handling frame as the door can move whilst moving.**

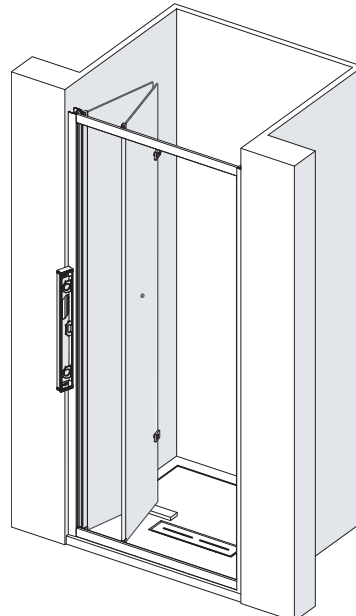
2. Using a 7mm masonry drill bit and drill (or appropriate drill bit if drilling tiles), drill six holes using the 'spot' marks from step 7, each hole should be 45mm in depth.

3. Insert the six '6mm Wall Plugs' into the six holes.

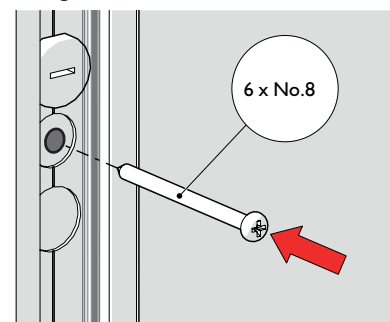


Step 9 - Fitting the Frame

1. Insert the frame back into position. Add the 'packing' to prop the door, so that the door is secure. Tighten the adjustment screws once again until the frame is even in the gap and held fast. Using a spirit level, check that the frame is 'plumb' vertical and the holes in the frame line up with the plugs in the wall. Ensure that the frame is not twisted or buckled and square on all sides.

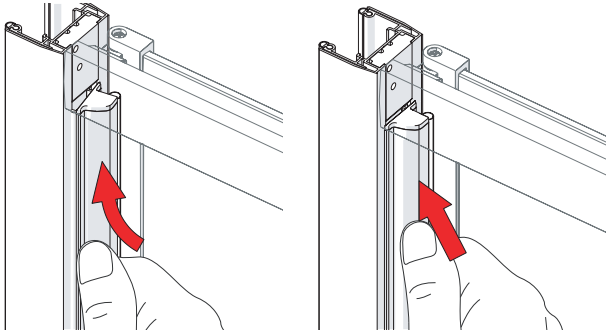


2. Using 6 x No.8 Pan-head 60mm screws provided, screw the frame to the wall on each side. **Take care not to scratch when drilling.** Be sure not to over tighten the middle screws (finger tighten only) as this may cause "bowing" of the door frame. Using the 'clip-in' extrusions as a straight edge, rest the straight edge against edge side of the frame, you'll be able to see any bowing that may have occurred. The middle screws may now be adjusted to assist in plumbing the door frame and removing the "bow."



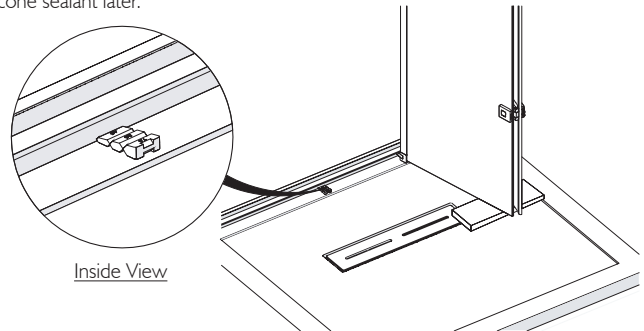
Step 10 - Re-fit Clip-In Extrusions

1. Re-fit both clip-in extrusions, which were removed in step 3. The clip-in extrusion with "flipper seal" should be on the handle side of door. Ensure the leading edge is properly located along the full height before pressing the clip-in extrusion into the door frame, it will not locate properly if twisted.



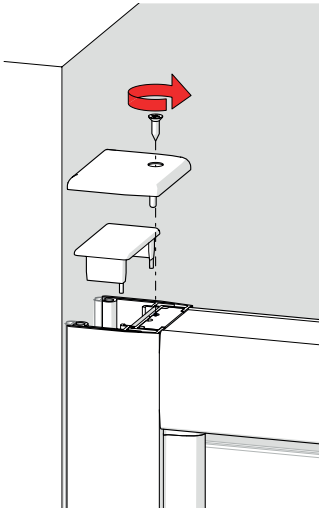
Step 11 - Shim Frame

1. Often shower trays have different angled top faces, in order to help keep the frame supported use the 'Shim (M197-01)' supplied. On the inside of the enclosure measure the gap between the bottom of the rail and top of the tray, select the height required from the shim strip supplied, break off and insert under rail at the centre. This will support rail when glass is fitted. The shim will be concealed by silicone sealant later.



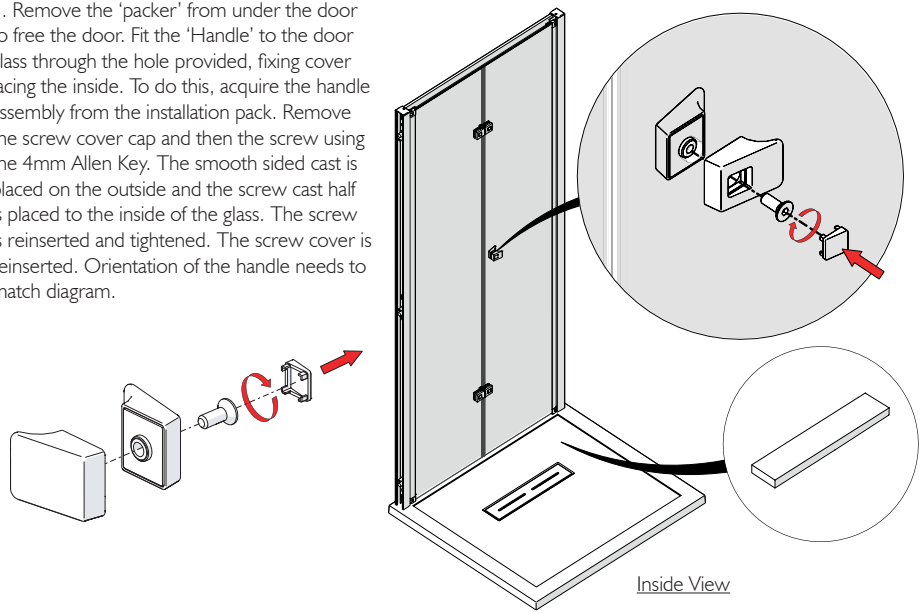
Step 12 - Fit Cover Caps

1. At both top corners, fit the inner 'Comp. Chnl. Top Caps (M56-02)' followed by the 'Wall Jamb Top Caps (M56-01)'. Securing in place with the No.4x10mm CSK screws provided.



Step 13 - Fit Handle

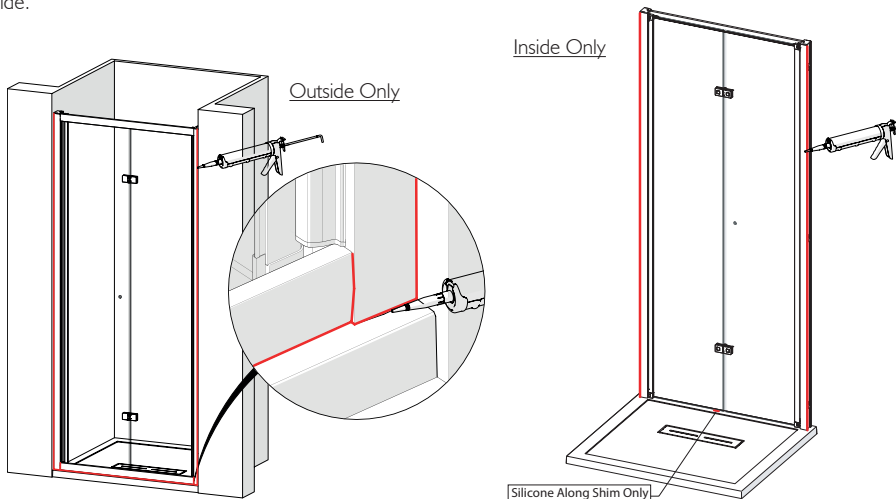
1. Remove the 'packer' from under the door to free the door. Fit the 'Handle' to the door glass through the hole provided, fixing cover facing the inside. To do this, acquire the handle assembly from the installation pack. Remove the screw cover cap and then the screw using the 4mm Allen Key. The smooth sided cast is placed on the outside and the screw cast half is placed to the inside of the glass. The screw is reinserted and tightened. The screw cover is reinserted. Orientation of the handle needs to match diagram.



Step 14 - Silicone

1. On the outside, silicone around all three junctions with the wall and tray, and also on the frame where the sill meets the uprights. On the inside, only silicone along the two vertical junctions with the wall, and around the shim.

Do not silicone seal on the inside of unit (except where shown). Sealing the wall posts & sills to the tray on the inside can result in leakage problems- please note that, in use, water can penetrate into the frame extrusions- this has no detrimental effect to the product- however, this water must be allowed to drain out of the extrusions to the inside.



Step 15 - Wait 24hr

1. Allow 24 hours before using the shower.



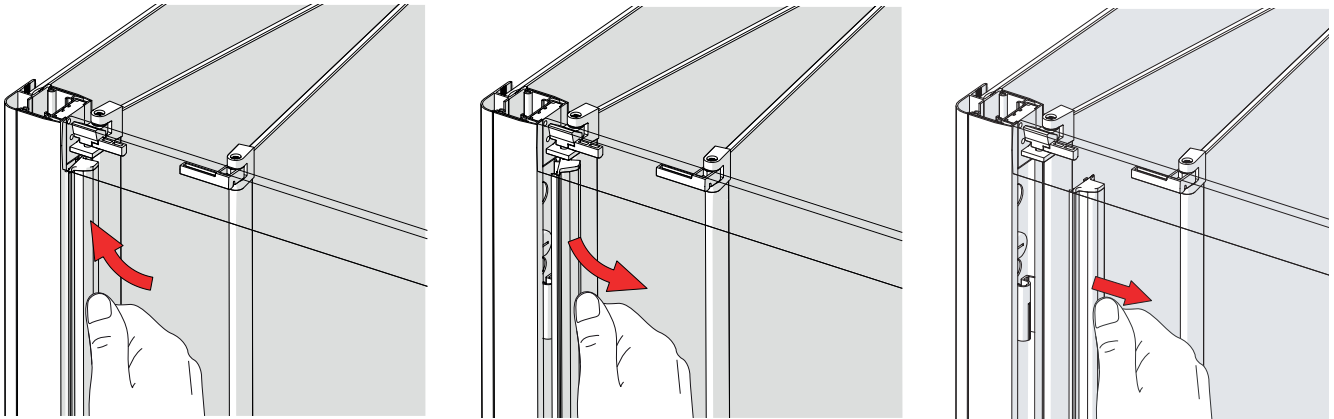
Supplementary Steps for Hingeing off Side Panel

Important

THESE INSTRUCTIONS ARE FOR THE PURPOSE FOR IF THE DOOR NEEDS TO HINGE OFF THE SIDE PANEL IN A CORNER SITUATION. IN WHICH CASE THEY SHOULD BE FOLLOWED BEFORE PROCEEDING WITH THE INSTALLATION INSTRUCTIONS. IF YOU DO NOT REQUIRE THE DOOR TO OPEN IN THIS POSITION PLEASE IGNORE THESE INSTRUCTIONS AND REFER DIRECTLY TO THE MAIN INSTALLATION INSTRUCTIONS.

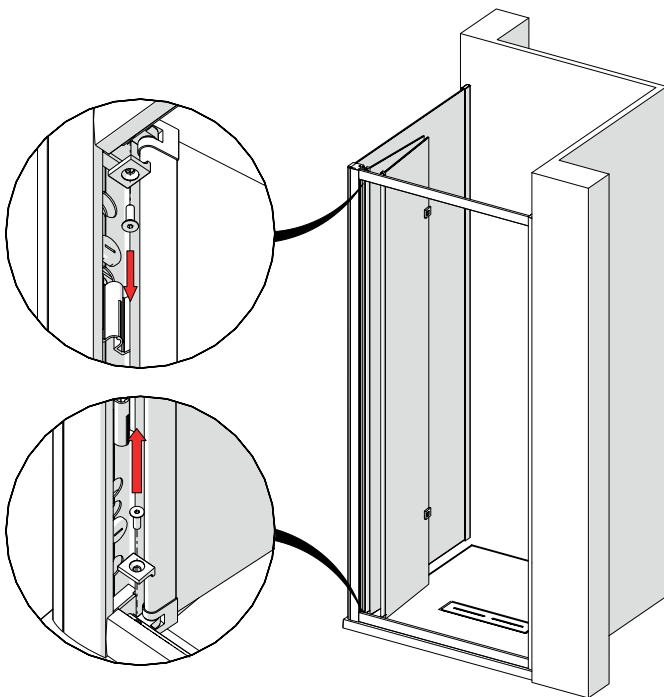
Step 1 - Remove Clip-In Extrusions

1. Locate the clip-in extrusion down the inside of the frame, on the side with the side panel. Press and rotate the clip-in extrusion at top, middle and bottom of door frame, to gently prise the extrusion away from the frame by hand only. Place the clip-in extrusion to the side in a safe place where it won't fall or get scratched.



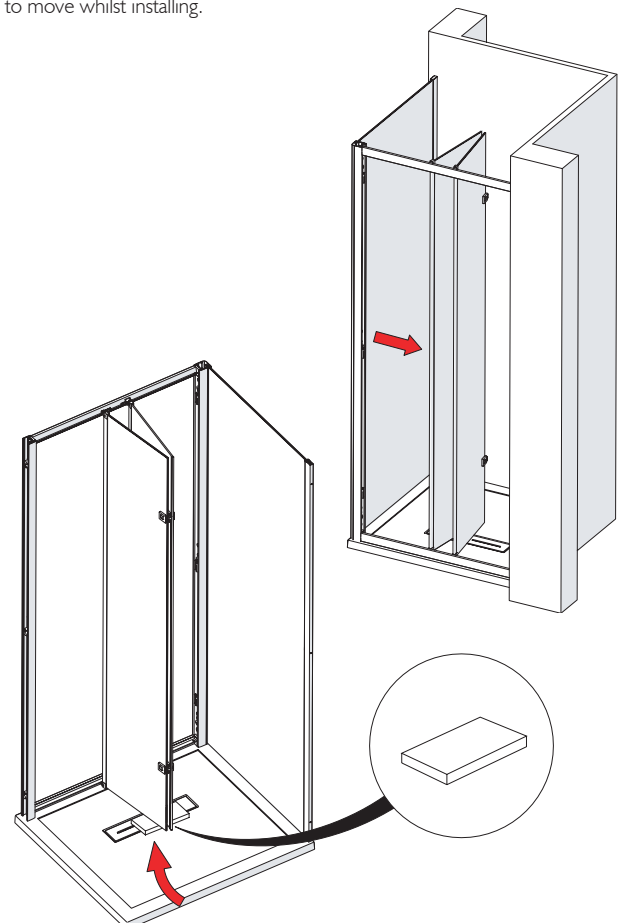
Step 2 - Free Door Assembly

1. Using the Allen key provided remove the top screw that secures the door frame top casting. Put the screw and the bracket half safe to one side.
2. Using the Allen key provided remove the bottom screw that secures the door frame bottom casting. Put the screw and the bracket half safely to one side. Before you remove the last screw make sure you have a grasp on the door assembly for the next step.



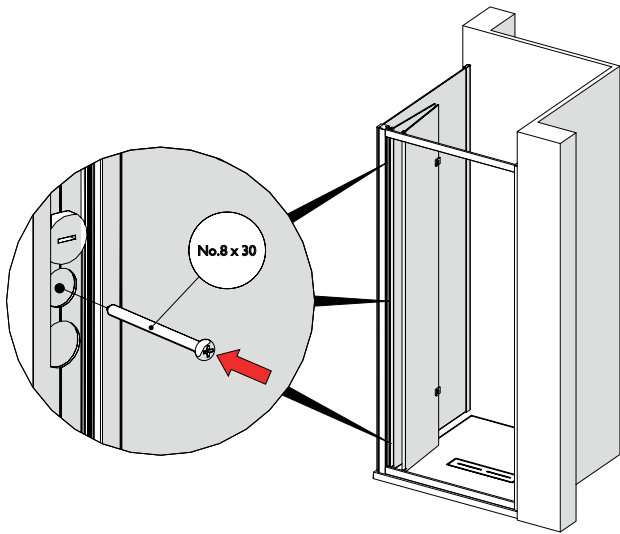
Step 3 - Remove Clip-In Extrusions

1. With two hands carefully slide the Door assembly to the middle as shown below.
2. Use polystyrene from the packaging to 'prop' the door open, or use a suitable 'packer'. **Make sure the door is secure.** Otherwise the door will want to move whilst installing.



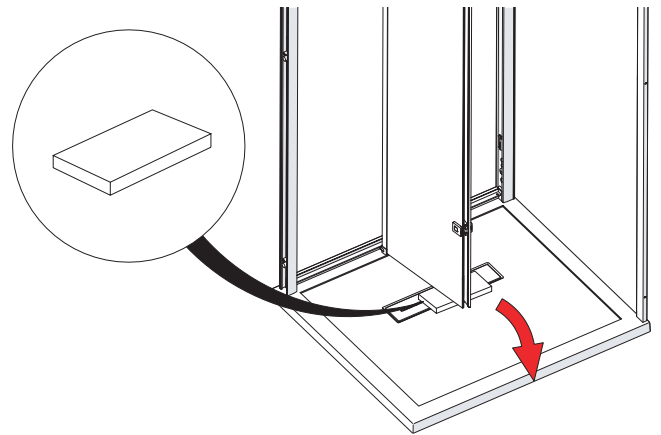
Step 4 - Secure Door Assembly

1. Using 3 x No.8 Pan-head 30mm screws provided, screw through the three holes (blue inserts) in the post from the door unit into the corner post. Do not use the No.8x60 screws long screws for corner post fix.



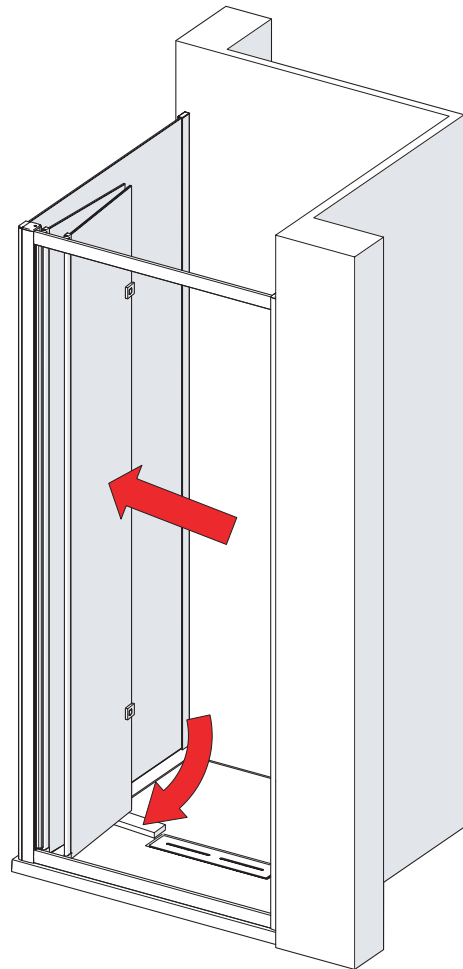
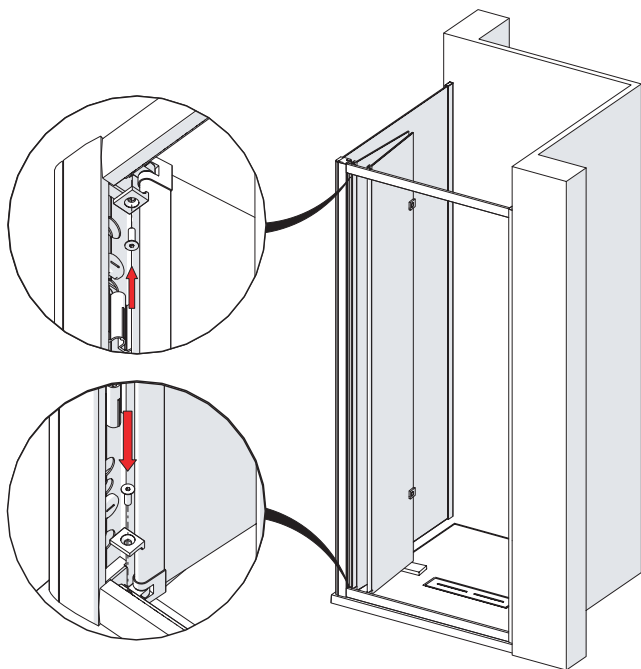
Step 5 - Remove 'Packing'

1. Remove the 'packer' from underneath the glass door.
2. Carefully with two hands slide the Door assembly back to the end of the railing where it was originally moved from. **Be careful when moving the door.**
3. Add the 'packer' back under the door. **Make sure door is secure.**



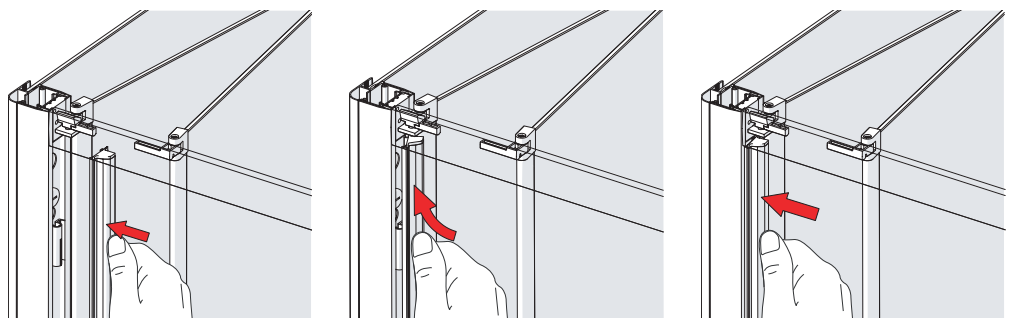
Step 6 - Secure Door Assembly

1. Acquire the Allen key provided and re-insert the bottom bracket and screw to the bottom bracket on the door assembly using two hands. You'll need to line up both brackets with the hole in the rail.
2. Once the bottom is secure do the same with the top.



Step 7 - Remove Clip-In Extrusions

1. Re-fit clip-in extrusions, which were removed in step 1. The clip-in extrusion with "flipper seal" should be on the handle side of door. Ensure the leading edge is properly located along the full height before pressing the clip-in extrusion into the door frame, it will not locate properly if twisted.

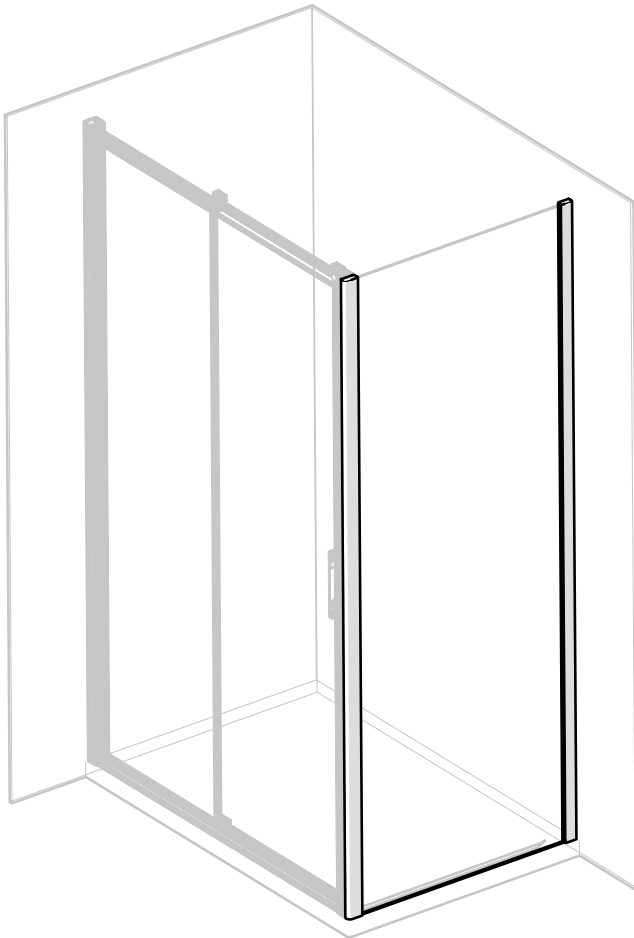


INSTALLATION INSTRUCTIONS - SIDE PANEL

Please read these instructions throughout before installing as incorrect fitting will invalidate the guarantee.
If you are unsure about these instructions please contact Kudos Shower Products 01539 564040.

HEALTH & SAFETY WARNING

DUE TO THE WEIGHT & SIZE OF THE GLASS PANEL ONLY A CAPABLE PERSON SHOULD MOVE AND INSTALL THIS ENCLOSURE



Tools Required

 Pozi-head Screwdriver

 Flat-head Screwdriver

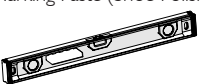
 Cutting Pliers

 7mm Masonry Drill Bit

 Drill (Battery or Mains)

 Clear Silicone Sealant

 Marking Paste (Shoe Polish)

 Spirit Level

Cleaning - General

For the wall post and fixings use only warm soapy water and damp cloth/ sponge on a regular basis. After cleaning please rinse with clean water to remove any residue.

Do not use abrasive scouring powders, chemicals or aerosol cleaners - these may result in damage to the surfaces, in particular, the plated component parts.

Kudos LifeShield Glass Treatment

The glass panels are pre-treated with Life Shield on the inside surfaces only. Whilst this makes cleaning the glass easier and helps prevent the build up of harmful lime-scale and soap deposits, the glass still needs to be maintained on a regular basis. We recommend the use of a detergent and aroma free glass cleaner (A 50/50 mix of white vinegar and water works well).

DO NOT use strong detergents, abrasive cleaners or abrasive scrubbing equipment for cleaning, these can damage the coating.

DO use a squeegee to remove remaining droplets of water from glass after showering, any build up of residue can be removed easily using an appropriate cleaner and agitation from soft cleaning equipment.

Important

Check appearance of all product - any defects must be reported to Kudos Shower Products before assembly/installation. Claims for imperfections will only be accepted prior to assembly/installation.

Any claims made under the terms of the Lifetime Guarantee must be reported to Kudos within 21 days of the fault occurring.

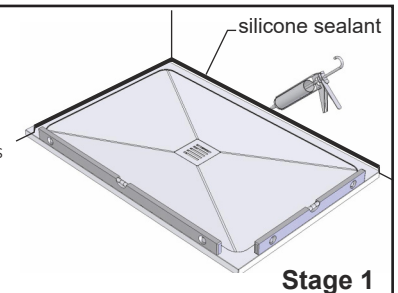
Check the enclosure adjustment sizes are suitable for your installation.

Use care when drilling into the walls to avoid hidden pipes or electric cables.

Shower Tray

Ensure the top of shower tray is LEVEL in ALL directions.

Once the tray is installed but before the wall tiles are fitted, any gap between the tray and the walls must be filled with silicone sealant flush with the top of the tray.



Stage 1

Once the walls have been tiled but before the enclosure is installed, the tiles must be silicone sealed to the tray all of the way around in one continuous bead.



Stage 2

Failure to follow these instructions will result in leakage problems.

THESE INSTRUCTIONS ARE TO BE LEFT WITH THE CONSUMER

Tray Sizes - Please Check Enclosure Sizes Match Showertray Installation

Side Panel Adjustment - (X)

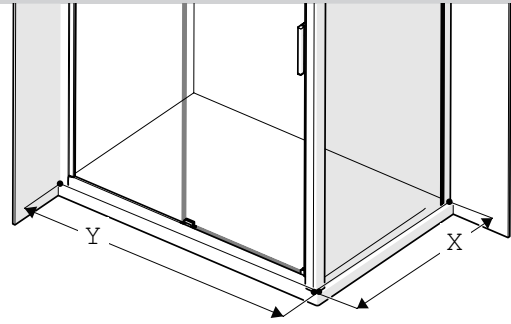
700mm = 672-692
760mm = 732-752

800mm = 772-792
900mm = 872-892

Door Unit Adjustment - (Y)

760mm = 732-752mm
800mm = 772-792mm
900mm = 872-892mm
1000mm = 972-992mm
1100mm = 1072-1092mm

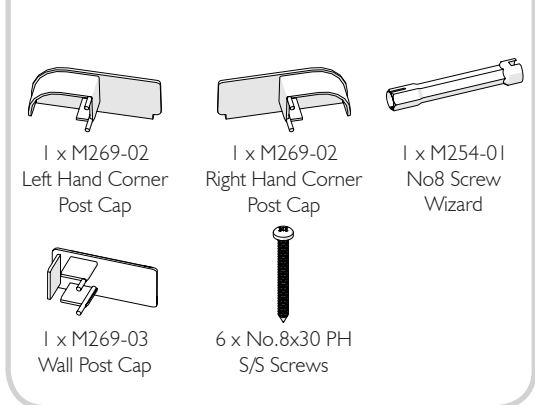
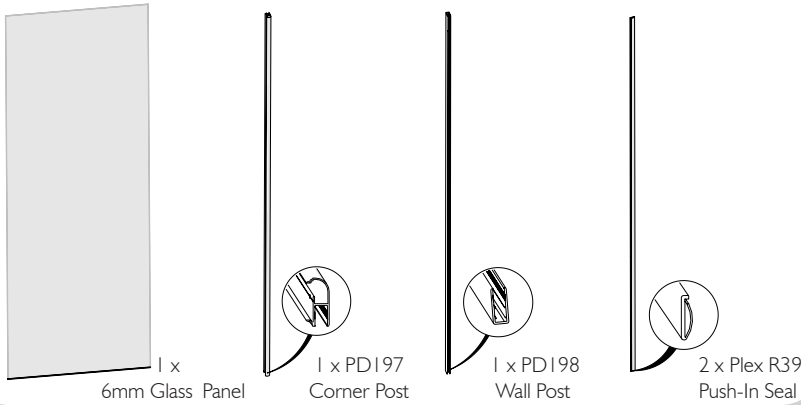
1200mm = 1172-1192mm
1400mm = 1372-1392mm
1500mm = 1472-1492mm
1600mm = 1572-1592mm
1700mm = 1672-1692mm



Parts List

Packing Assembly - Please remove Push-in Seals and separate before installation

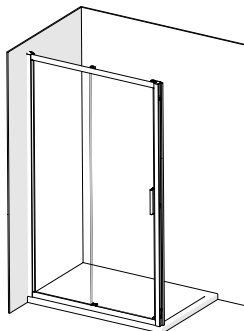
Installation Pack



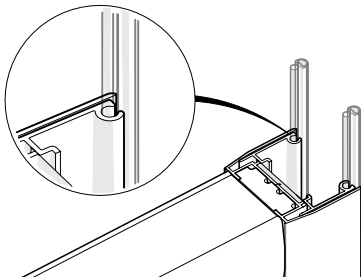
Installation Steps

Step 1 - Fit Door Unit & Remove Seals

1. Fit the access door unit, either the sliding or pivot door, stopping at the installation step which requires fixing the posts to each wall. Ensuring adjustment in door and panel will allow for the side panel position, level the unit on tray by adjusting height (refer to door instructions). Fix the post to the wall on the desired side (opposite to the Side Panel) leaving the 'Side Panel' wall post unsecured.

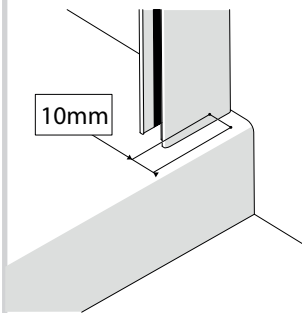


2. Remove the two 'bubble seals' from the post on the side facing the 'side panel.' Discarding the bubble seals and the three No.8x60 screws left over from the door units wall post installation step. Ensure the post is 'wound in' so only the outer post is visible.

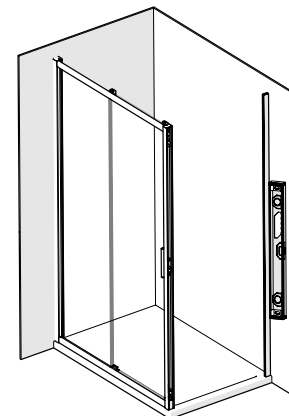


Step 2 - Fit Side Panel Wall Post

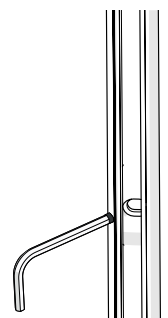
1. Place the 'Wall Post' 10mm off the vertical edge of the tray (10mm is a reference measurement only, please refer to the 'Tray Sizes' table for specific enclosure information).



2. Using a Spirit Level, ensure the post is 'plumb' vertical



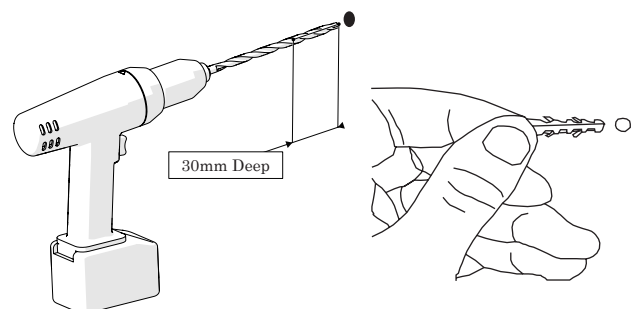
3. Using a 4mm rod (we recommend a small Allen key or drill bit), place a small amount of marking paste (we recommend shoe polish) on the end of the rod, and 'spot' through the 3 screw holes down each side of the frame.



Step 3 - Drill Mounting Holes & Insert Wall Plugs

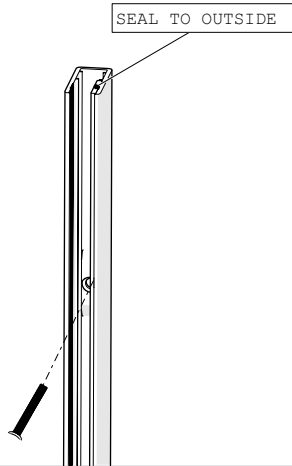
1. Remove the post from the wall, Using a 7mm masonry drill bit and drill (or appropriate drill bit if drilling tiles), drill three holes using the 'spot' marks from step 2, each hole should be 30mm in depth.

2. Insert the three '6mm Wall Plugs' into the six holes.



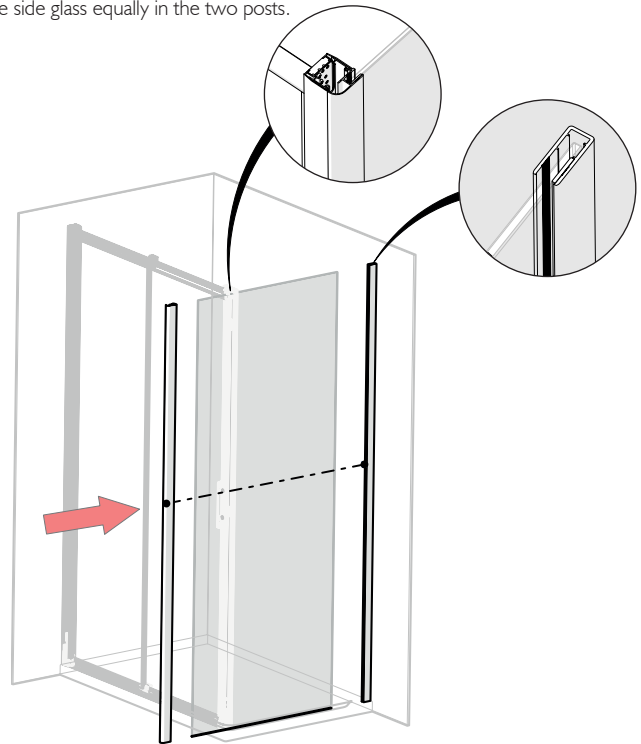
Step 4 - Fit Wall Post

1. Insert the Side Panel Wall Post back into position, ensuring the rectangular seal in the post is on the outside of the enclosure. Using the 'Screw Wizard' locate the 3 x No.8 Pan-head 30mm screws in the holes, then screw the post to the wall using a screw driver. .



Step 5 - Fit Side Panel Glass

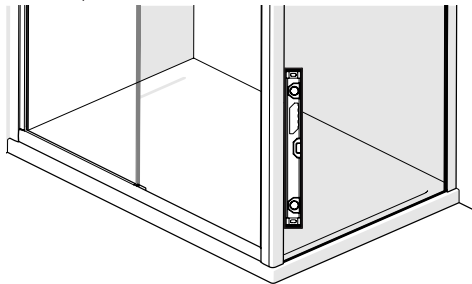
1. Slide the 'Glass Side Panel' into the fixed wall post, followed by the 'Corner Post' onto the glass side panel. Ensure that the glass edge with the seal is at the bottom, and surface treated with LIFESHIELD faces to INSIDE of shower enclosure - see label on glass. Try to space the side glass equally in the two posts.



Step 6 - Adjust Fit

1. Ensure that both corresponding profiles in the corner post of the side panel and the post of the door unit are seated tightly together.

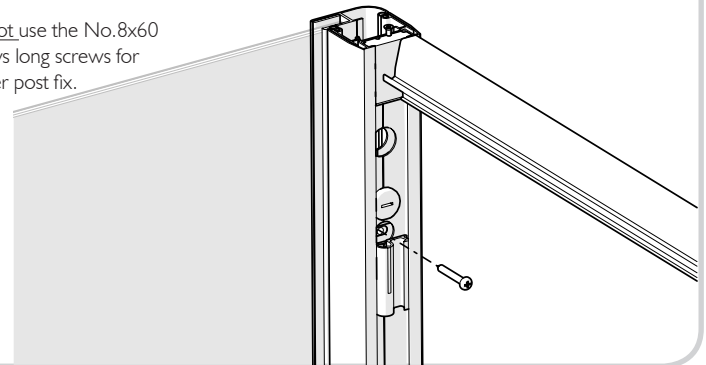
2. Using a spirit level, Plumb the door and panel at the corner junction. If possible avoid adjusting the compensating channel at the corner and adjust at the walls to achieve vertical setting. See door instructions for adjusting the plumb of the door unit. Also check that both the side panel and door unit are running parallel with both sides of the shower tray.



Step 7 - Fix Corner Post

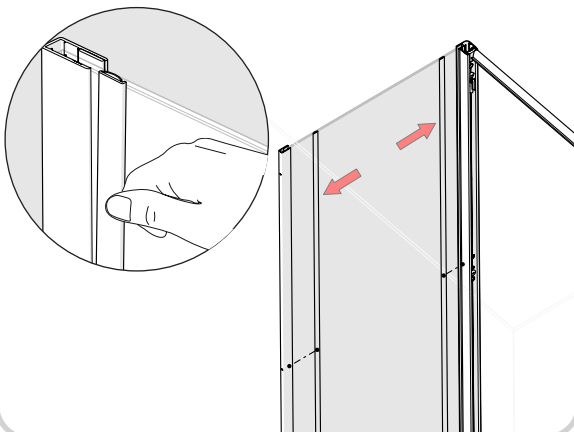
1. Using 3 x No.8 Pan-head 30mm screws provided, screw through the three holes (blue inserts) in the post from the door unit into the corner post.

Do not use the No.8x60 screws long screws for corner post fix.



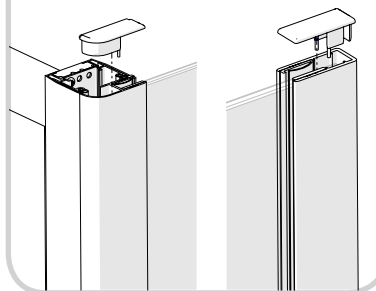
Step 8 - Insert Push-In Seals

1. Take the two 'Push-In Seals (PlexR39),' Insert the seals to the inside of the enclosure, between the side glass panel and lip of the metal on both posts, ensuring the curved surface is contacting the glass. Start at the top and work downward, until the seal is fully inserted all the way down the panel, if tight, lubricate the seal with water.

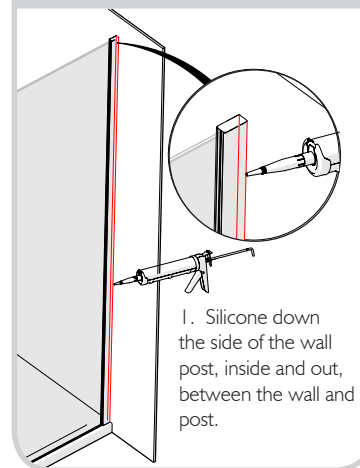


Step 9 - Insert Push-In Caps

1. Insert the 'Wall Post Cap' into the wall post. Followed by either the left or right handed 'Corner Post Cap' into the corner post, discarding the unrequired hand.



Step 10 - Silicone Wall Post



1. Silicone down the side of the wall post, inside and out, between the wall and post.

ONCE COMPLETE CONTINUE WITH THE INSTALLATION OF THE DOOR UNIT