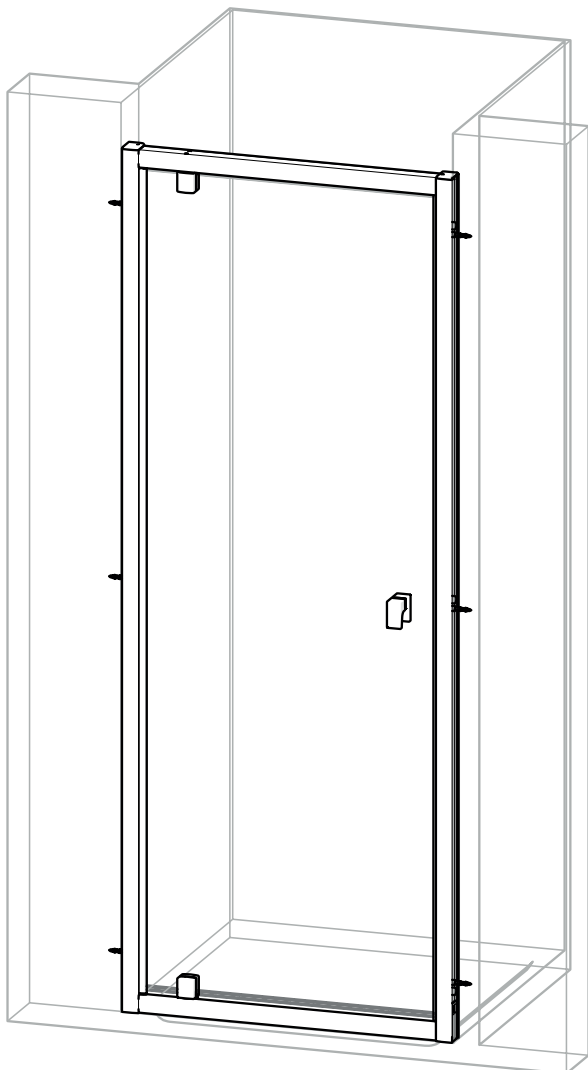


INSTALLATION INSTRUCTIONS - PIVOT DOOR

Please read these instructions throughout before installing as incorrect fitting will invalidate the guarantee.
If you are unsure about these instructions please contact Kudos Shower Products 01539 564040.

HEALTH & SAFETY WARNING

DUE TO THE WEIGHT & SIZE OF THE GLASS PANEL ONLY A CAPABLE PERSON SHOULD MOVE AND INSTALL THIS ENCLOSURE



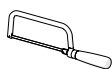
Tools Required



Pozi-head Screwdriver



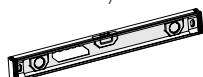
4mm Allen Key - supplied



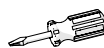
Junior Hacksaw



7mm Masonry Drill Bit



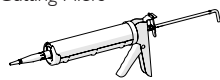
Spirit Level



Flat-head Screwdriver



Cutting Pliers



Clear Silicone Sealant



Drill (Battery or Mains)



Marking Paste (Shoe Polish)

Cleaning - General

For the wall post and fixings use only warm soapy water and damp cloth/ sponge on a regular basis. After cleaning please rinse with clean water to remove any residue.

Do not use abrasive scouring powders, chemicals or aerosol cleaners - these may result in damage to the surfaces, in particular, the plated component parts.

Kudos LifeShield Glass Treatment

The glass panels are pre-treated with Life Shield on the inside surfaces only. Whilst this makes cleaning the glass easier and helps prevent the build up of harmful lime-scale and soap deposits, the glass still needs to be maintained on a regular basis. We recommend the use of a detergent and aroma free glass cleaner (A 50/50 mix of white vinegar and water works well).

DO NOT use strong detergents, abrasive cleaners or abrasive scrubbing equipment for cleaning, these can damage the coating.

DO use a squeegee to remove remaining droplets of water from glass after showering, any build up of residue can be removed easily using an appropriate cleaner and agitation from soft cleaning equipment.

Important

Check appearance of all product - any defects must be reported to Kudos Shower Products before assembly/installation. Claims for imperfections will only be accepted prior to assembly/installation.

Any claims made under the terms of the Lifetime Guarantee must be reported to Kudos within 21 days of the fault occurring.

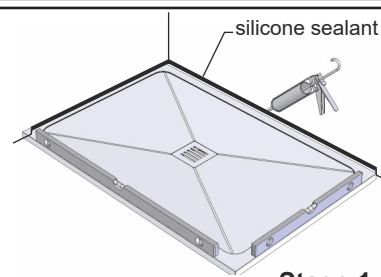
Check the enclosure adjustment sizes are suitable for your installation.

Use care when drilling into the walls to avoid hidden pipes or electric cables.

Shower Tray

Ensure the top of shower tray is LEVEL in ALL directions.

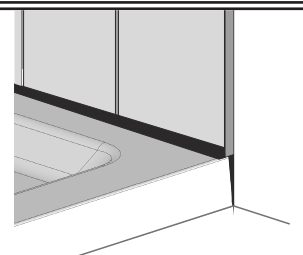
Once the tray is installed but before the wall tiles are fitted, any gap between the tray and the walls must be filled with silicone sealant flush with the top of the tray.



Stage 1

Once the walls have been tiled but before the enclosure is installed, the tiles must be silicone sealed to the tray all of the way around in one continuous bead.

Failure to follow these instructions will result in leakage problems.



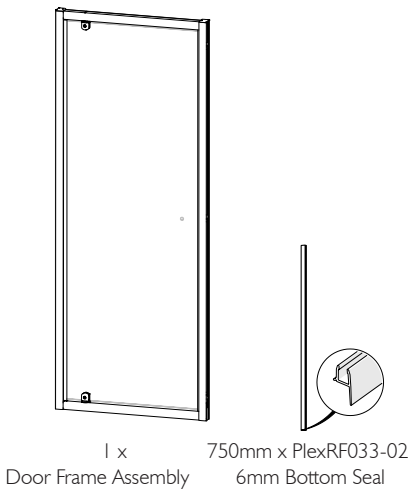
Stage 2

THESE INSTRUCTIONS ARE TO BE LEFT WITH THE CONSUMER

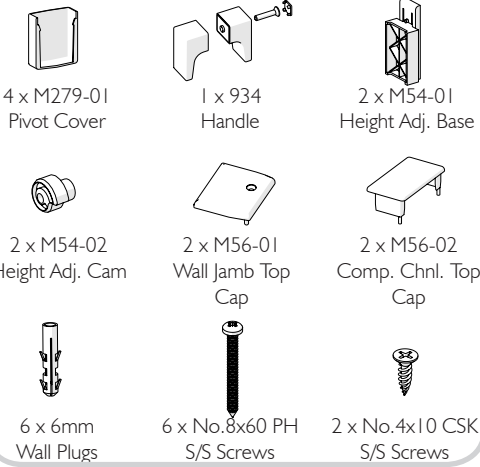
Important

IF YOU ARE INSTALLING A **SIDE PANEL** TOGETHER WITH THIS DOOR, PLEASE READ THESE INSTRUCTIONS IN CONJUNCTION WITH THE INSTRUCTIONS FOR THE SIDE PANEL PROVIDED IN THE SIDE PANEL PACKING.

Parts List



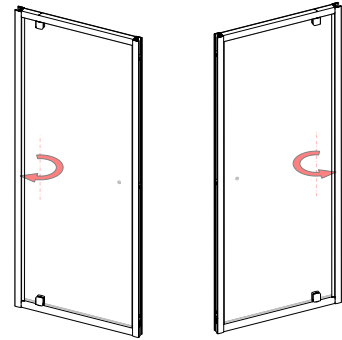
Installation Pack



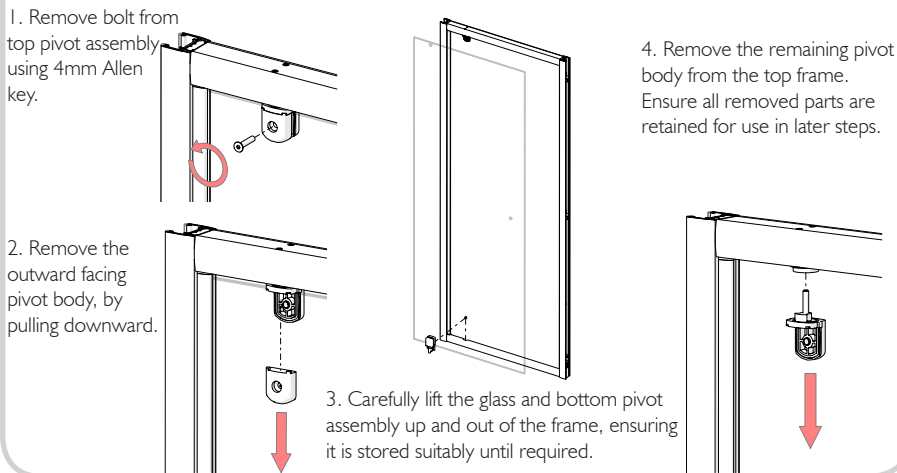
Installation Steps

Step 1 - Determine Door Opening

1. Determine whether door is to be left or right opening. This will then identify which is the top of the door, (the door can be installed either way up and this establishes whether the door is to be left or right hand opening).

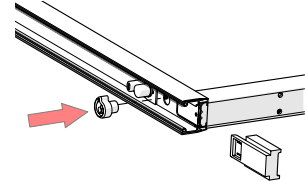


Step 2 - Remove Glass And Pivots

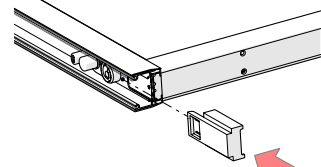


Step 3 - Fit Height Adjusters

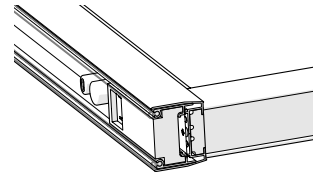
1. Insert 'Height Adj. Cam (M54-02)' into the hole on bottom corner of the outer face of the frame, ensure the cam is orientated as shown.



2. Slide the 'Height Adj. Base (M54-01)' into the frame, over the 'Height Adj. Cam,' It 'clicks' once engaged.



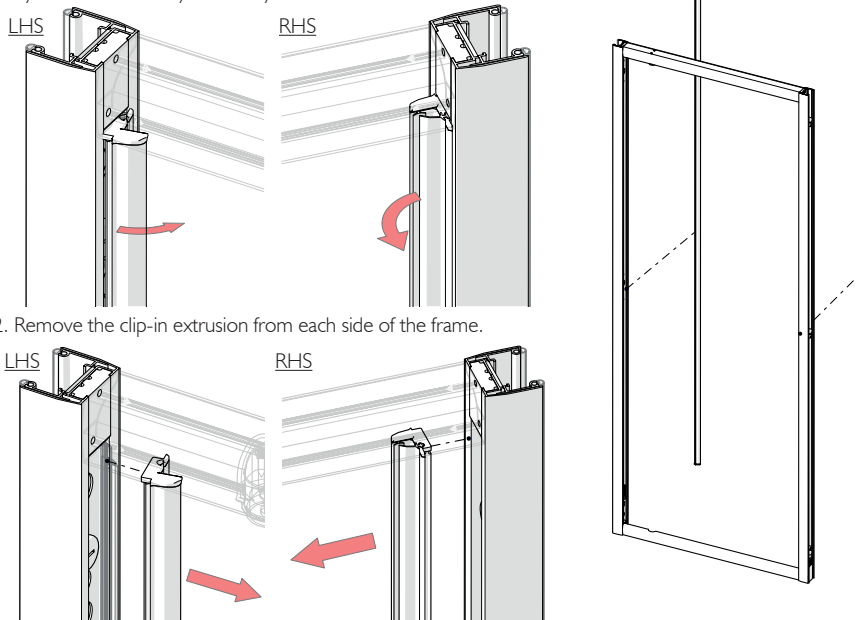
3. Push the 'Height Adj. Base' fully into the frame, flush to the bottom. Repeat for opposite side.



Step 4 - Remove Clip-In Extrusions

1. Locate the clip-in extrusions down the in side of the frame, press and rotate the clip-in extrusion at top, middle and bottom of door frame, to gently prise the extrusion away from the frame by hand only.

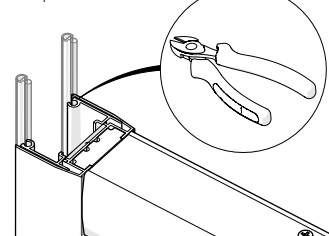
3. Ensure the removed extrusions are kept separate, as left and right.



Step 5 - Trim Excess Seal

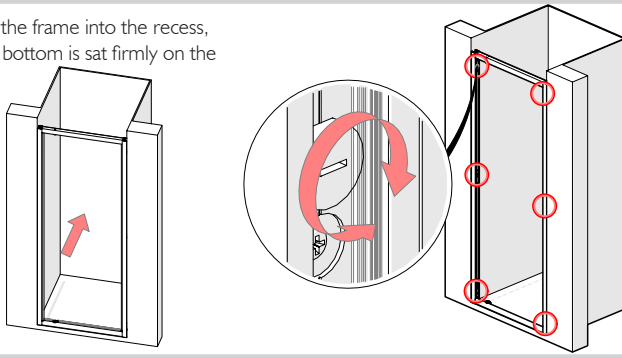
1. During the manufacturing process the seal on each side of the frame is often left 'long' to allow for expansion and contraction during transit. Ensure the seal is sat flush with the bottom of the frame on each side.

2. Using cutting pliers, trim the seals on each side flush with the top of the frame.

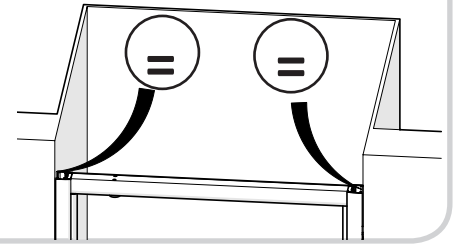


Step 6 - Offer Up & Adjust Fit

1. 'Offer up' the frame into the recess, ensuring the bottom is sat firmly on the shower tray.



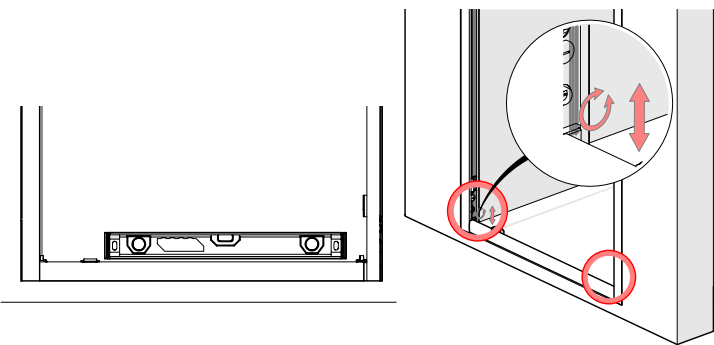
2. Using a flat headed screwdriver, adjust the six nylon adjustment screws, three down each side, in an **anti-clockwise direction**, until the frame has expanded and is only slightly wedged. Try to adjust each side equally, to achieve equal spacings down each side of the frame.



Step 7 - Adjust Height

1. Using a spirit level, check to see if the bottom frame is level, ensure the spirit level is sat down fully onto the sill.

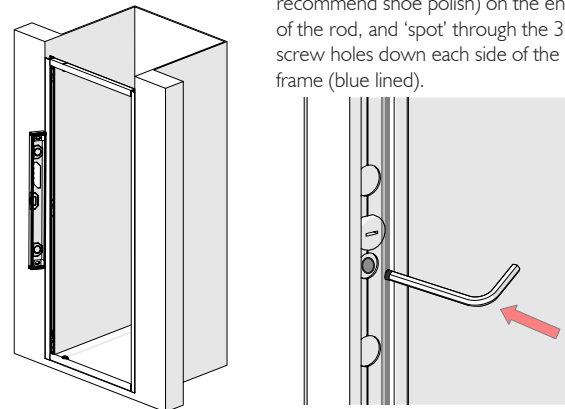
2. Using a flat-head screwdriver adjust the two nylon height adjustment screws (lower screw in each corner). Adjust until the bottom frame is level.



Step 8 - Mark Position of Holes

1. Using a spirit level, check that the frame is 'plumb' vertical.

2. Using a 4mm rod (we recommend a small Allen key or drill bit), place a small amount of marking paste (we recommend shoe polish) on the end of the rod, and 'spot' through the 3 screw holes down each side of the frame (blue lined).

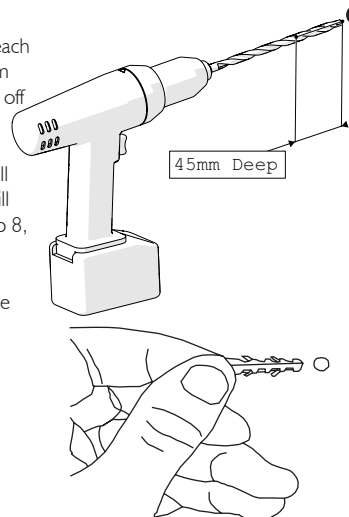


Step 9 - Drill Mounting Holes & Insert Wall Plugs

1. Remove the frame from the recess, loosening the adjustment screws along each side if required (do not adjust the bottom height adjustment screws). Placing safely off to one-side.

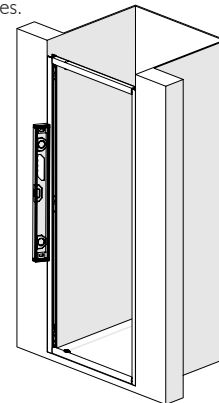
2. Using a 7mm masonry drill bit and drill (or appropriate drill bit if drilling tiles), drill six holes using the 'spot' marks from step 8, each hole should be 45mm in depth.

3. Insert the six '6mm Wall Plugs' into the six holes.

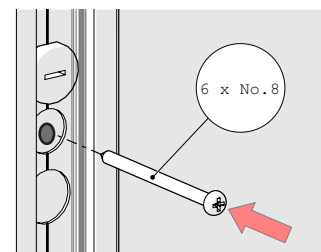


Step 10 - Fitting the Frame

1. Insert the frame back into position, tighten the adjustment screws once again until the frame is even in the gap and held fast. Using a spirit level, check that the frame is 'plumb' vertical and the holes in the frame line up with the plugs in the wall. Ensure that the frame is not twisted or buckled and square on all sides.

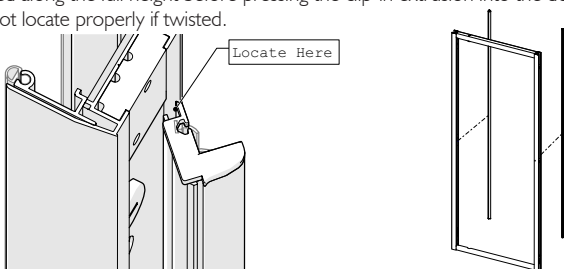


2. Using 6 x No.8 Pan-head 60mm screws provided, screw the frame to the wall on each side. Be sure not to over tighten the middle screws (finger tighten only) as this may cause "bowing" of the door frame. Using the 'clip-in' extrusions as a straight edge, rest the straight edge against edge side of the frame, you'll be able to see any bowing that may have occurred. The middle screws may now be adjusted to assist in plumbing the door frame and removing the "bow."



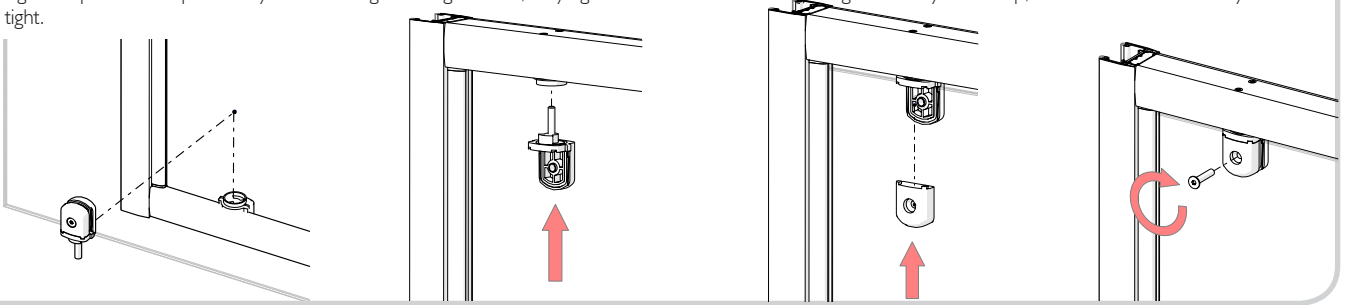
Step 11 - Re-fit Clip-In Extrusions

1. Re-fit clip-in extrusions, which were removed in stage 4. The clip-in extrusion with "flipper seal" should be on the handle side of door. Ensure the leading edge is properly located along the full height before pressing the clip-in extrusion into the door frame, it will not locate properly if twisted.



Step 12 - Re-fit Glass Door

1. Re-fit the glass door, which was removed in step 2, by first inserting the pivot spindle of the bottom pivot on the door into the pivot body on the bottom sill. When re-fitting the top half of the pivot body back to the glass using the bolt, only tighten the bolt so its holding the glass loosely at the top, around two full turn away from been tight.

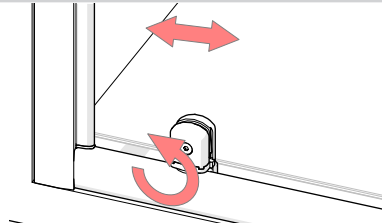


Step 13 - Adjust Glass

1. Using the Allen key provided, loosen the bottom pivot bolt, until the rubber gasket inside the pivot half disengages the glass, allowing some movement.

2. Adjust the door glass left or right so that it meets the closing seal evenly top to bottom and there is sufficient pressure on the edge of the glass to hold the door closed in the seals.

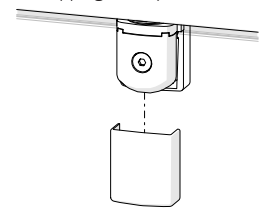
IMPORTANT: You must ensure that the bottom of the glass door runs completely parallel with the top surface of the bottom rail, if not you need to adjust the enclosure ensuring everything is level. Failure to follow this instruction will cause the bottom seal to tear prematurely and invalidate the seals 2 year guarantee.



3. Once glass is in place, re-tighten bolts top and bottom on the pivot assemblies, only tighten until the inner gasket is holding the glass securely.

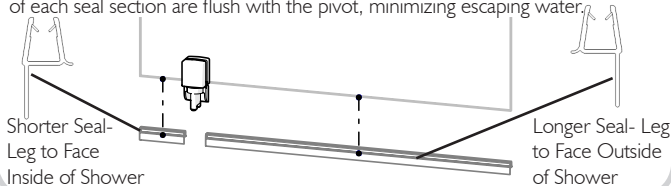
Step 14 - Fit Pivot Covers

1. Clip on four 'Pivot Covers (M279-01),' these are pushed on by hand (if necessary these can be removed again by carefully levering the lower edge of the caps to release the clipping action).



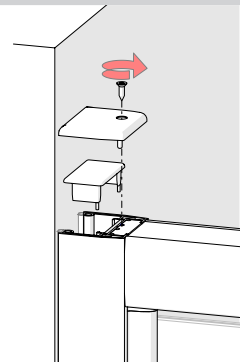
Step 15 - Cut and Fit Drip Seal

1. Taking the '6mm Bottom Seal (PlexRF033-02),' cut the bottom seal to fit the bottom-exposed edges of the door glass to the left and right of the pivot points and clip this into position, use a junior hacksaw for the hard plastic edge and cutting pliers/craft knife for the soft plastic leg. Fit so that the flexible leg on the longer length of the seal is to the outside of enclosure, and to the inside on the short length. Ensure the two outer ends are flush with glass and the other end of each seal section are flush with the pivot, minimizing escaping water.



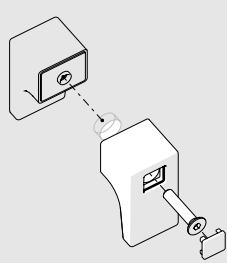
Step 16 - Fit Cover Caps

1. At both top corners, fit the inner 'Comp. Chnl. Top Caps (M56-02)' followed by the 'Wall Jamb Top Caps (M56-01).' Securing in place with the No.4x10mm CSK screws provided.



Step 17 - Fit Handle

1. Fit the 'Handle (934)' to the glass door, ensuring the half with the cap is facing to the inside.



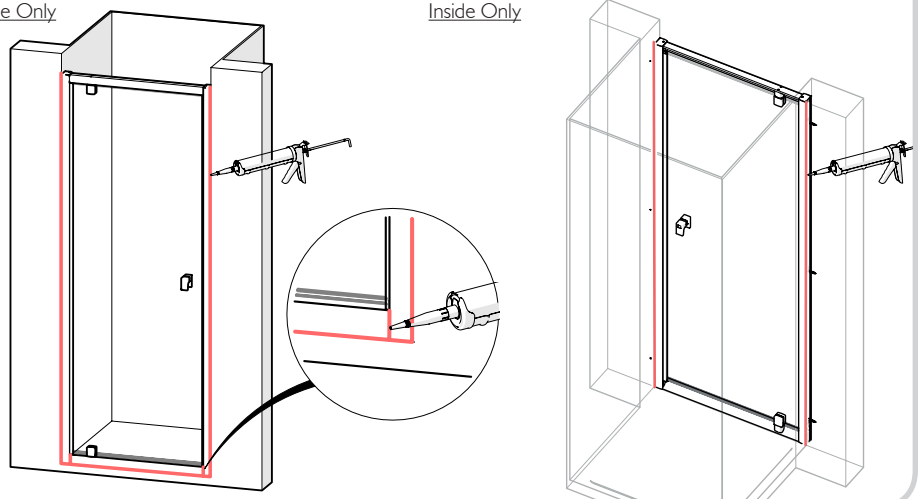
Step 18 - Silicone

1. On the outside, silicone around all three junctions with the wall and tray, and also on the frame where the sill meets the uprights. On the inside, only silicone along the two vertical junctions with the wall.

Do not silicone seal on the inside of unit (except where shown). Sealing the wall posts & sills to the tray on the inside can result in leakage problems- please note that, in use, water can penetrate into the frame extrusions- this has no detrimental effect to the product- however, this water must be allowed to drain out of the extrusions to the inside.

Outside Only

Inside Only



Step 19 - Wait 24hr

1. Allow 24 hours before using the shower.

