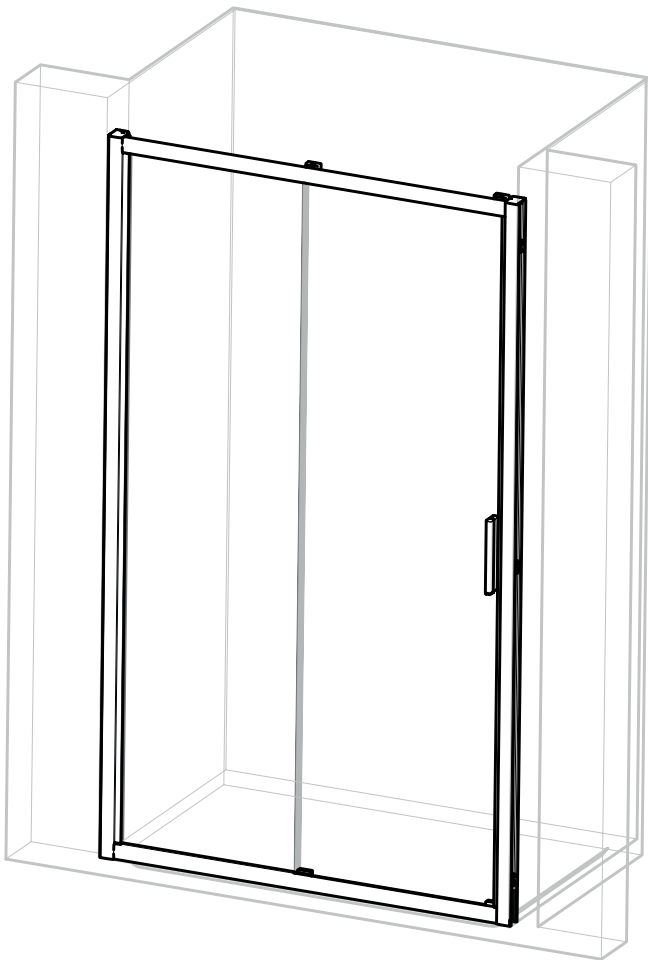


STRAIGHT SLIDING DOOR 1400 & 1500mm

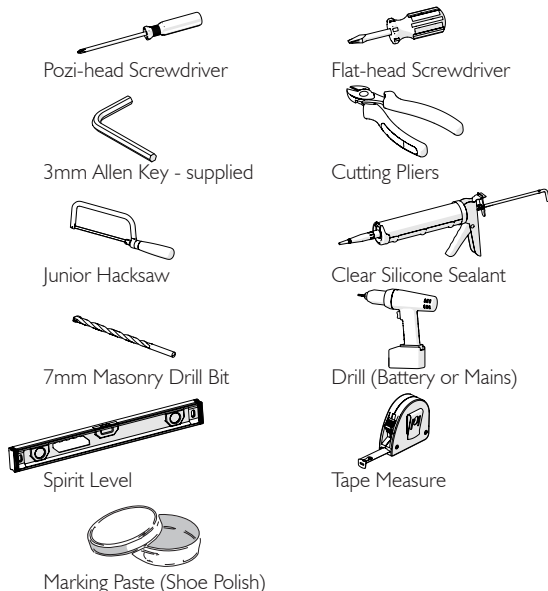
Please read these instructions throughout before installing as incorrect fitting will invalidate the guarantee.
If you are unsure about these instructions please contact Kudos Shower Products 01539 564040.

HEALTH & SAFETY WARNING

DUE TO THE WEIGHT & SIZE OF THE GLASS PANEL(S) A MINIMUM OF TWO PERSONS ARE REQUIRED TO MOVE AND INSTALL THIS ENCLOSURE



Tools Required



Cleaning - General

For the wall post and fixings use only warm soapy water and damp cloth/ sponge on a regular basis. After cleaning please rinse with clean water to remove any residue.

Do not use abrasive scouring powders, chemicals or aerosol cleaners - these may result in damage to the surfaces, in particular, the plated component parts.

Kudos LifeShield Glass Treatment

The glass panels are pre-treated with Life Shield on the inside surfaces only. Whilst this makes cleaning the glass easier and helps prevent the build up of harmful lime-scale and soap deposits, the glass still needs to be maintained on a regular basis. We recommend the use of a detergent and aroma free glass cleaner (A 50/50 mix of white vinegar and water works well).

DO NOT use strong detergents, abrasive cleaners or abrasive scrubbing equipment for cleaning, these can damage the coating.

DO use a squeegee to remove remaining droplets of water from glass after showering, any build up of residue can be removed easily using an appropriate cleaner and agitation from soft cleaning equipment.

Important

Check appearance of all product - any defects must be reported to Kudos Shower Products before assembly/installation. Claims for imperfections will only be accepted prior to assembly/installation.

Any claims made under the terms of the Lifetime Guarantee must be reported to Kudos within 21 days of the fault occurring.

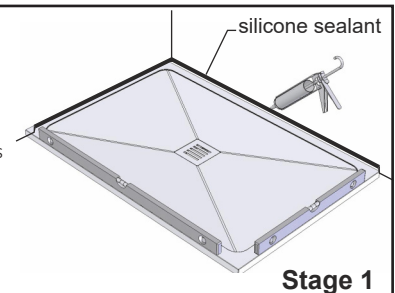
Check the enclosure adjustment sizes are suitable for your installation.

Use care when drilling into the walls to avoid hidden pipes or electric cables.

Shower Tray

Ensure the top of shower tray is LEVEL in ALL directions.

Once the tray is installed but before the wall tiles are fitted, any gap between the tray and the walls must be filled with silicone sealant flush with the top of the tray.



Once the walls have been tiled but before the enclosure is installed, the tiles must be silicone sealed to the tray all of the way around in one continuous bead.

Failure to follow these instructions will result in leakage problems.

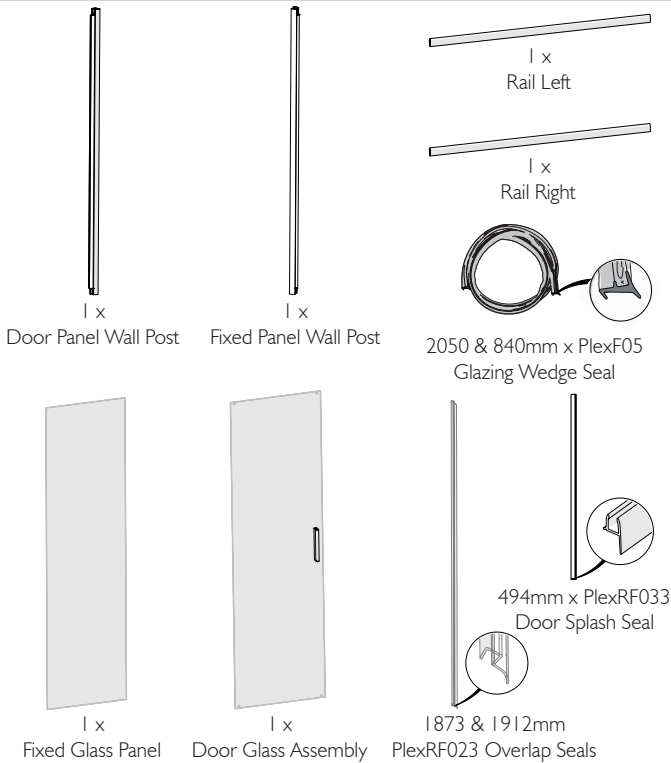


THESE INSTRUCTIONS ARE TO BE LEFT WITH THE CONSUMER

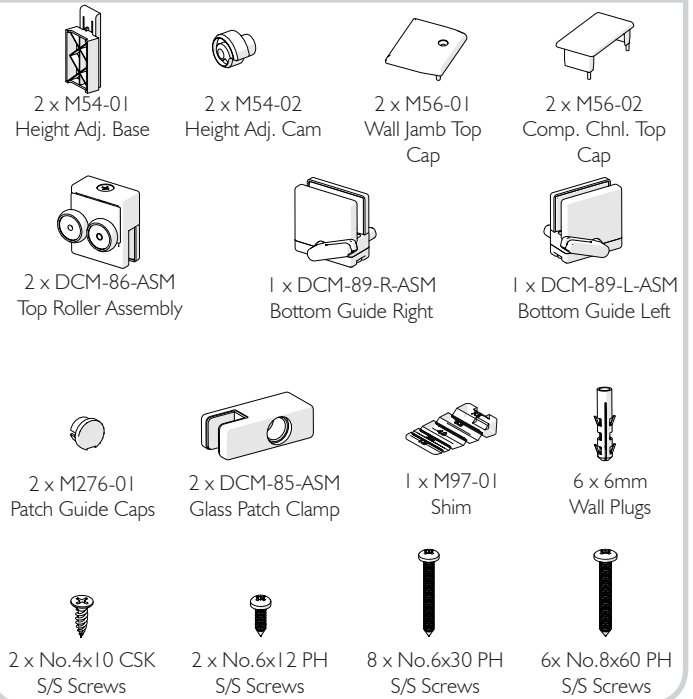
Important

IF YOU ARE INSTALLING A **SIDE PANEL** TOGETHER WITH THIS DOOR, PLEASE READ THESE INSTRUCTIONS IN CONJUNCTION WITH THE INSTRUCTIONS FOR THE SIDE PANEL PROVIDED IN THE SIDE PANEL PACKING.

Parts List



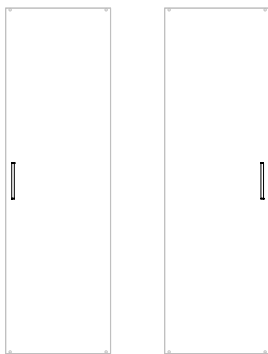
Installation Pack



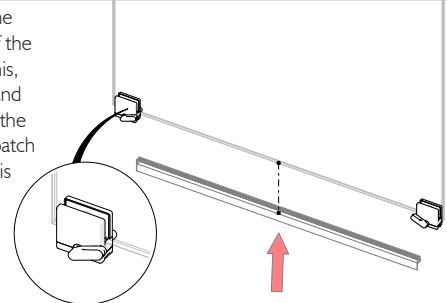
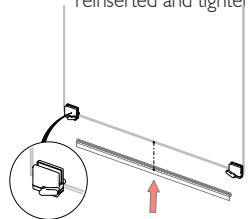
Installation Steps

Step 1 - Determine Opening Side

1. Stand the 'Door Glass Assembly' upright, leaning against a wall ensuring all contact corners are protected. Determine if the shower enclosure is to be opening from the left or right (the handle will be next to the wall when in the closed position). Ensuring the Lifeshield remains to the inside of the enclosure (rear face, resting on the wall).



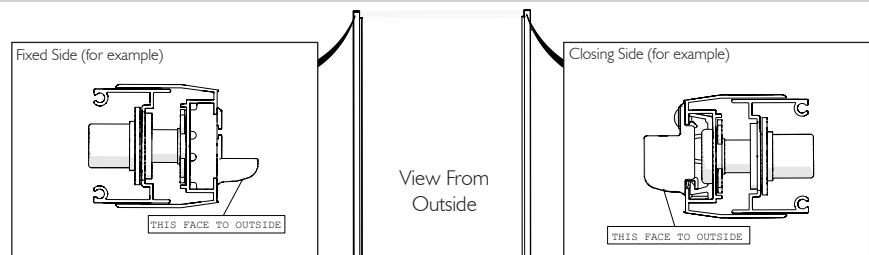
2. Once the 'handing' has been determined, fit the two 'Top Roller Assemblies' to the top corners of the glass, with the wheels facing the outside. To do this, the screw is removed using the 3mm Allen key, and the small casting half and patch pad are placed to the inside of the glass, before the wheel casting and patch are placed to the outside of the glass. The screw is reinserted and tightened.



3. Now take the right and left 'Bottom Guides' and fit to the bottom left and right corners of the glass. Again removing the screw, and sandwiching the glass between the two casting and patches pads, before reinserting the screw and tightening, ensuring the grooved retaining arms are to the outside and pointing to the centre. Now take the 'Door Splash Seal' (PlexRF033) and place on to the bottom of the door between the bottom guides, with the skirt to the outside.

Step 2 - Handing of Unit

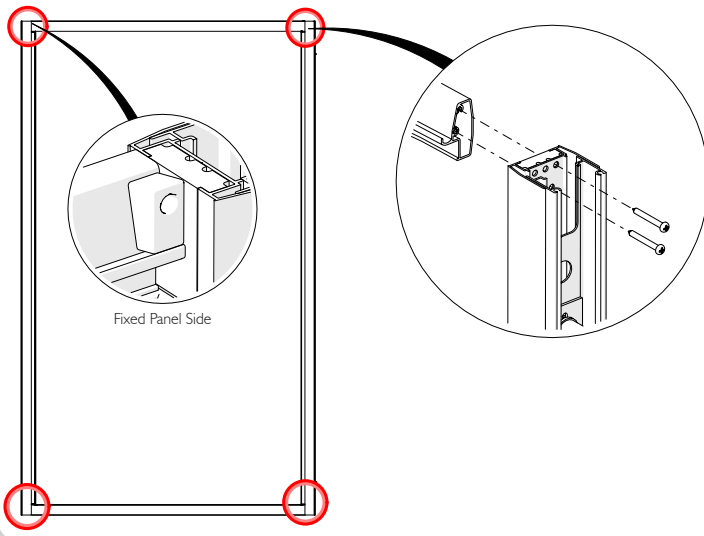
1. This stage will determine which side you wish to fit the fixed panel glass, to the left or to the right of the unit, to suit your installation. Arrange the wall posts into the correct position, either left or right depending on the door opening and fixed panel.



Door opening for this example

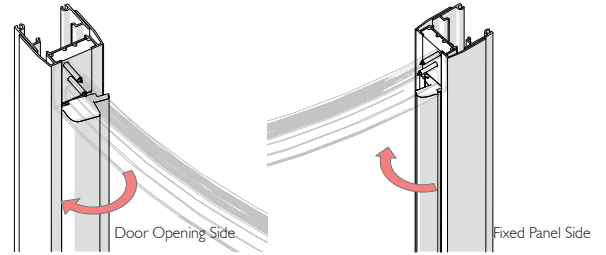
Step 3 - Assemble Framework

1. Using the 'No. 6's x 30mm' long screws and 'Rails,' insert each screw through the relevant holes in white plastic spacer blocks on the wall posts and into each screw-port, two screws for each corner of frame, ensuring these are fully tightened by hand. The side of the rails with the screwed in 'stop' should be to the fixed glass panel side, opposite to the door opening. Also ensure that the rails are fitted flush with ends of each wall-post.

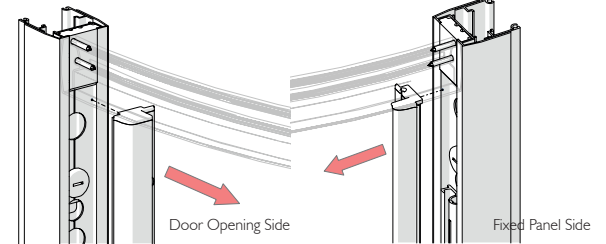


Step 4 - Remove Clip-In Extrusions

1. Locate the clip-in extrusions down the inside of the frame, press and rotate the clip-in extrusion at top, middle and bottom of door frame, to gently prise the extrusion away from the frame by hand only. (Handing shown below for example only).



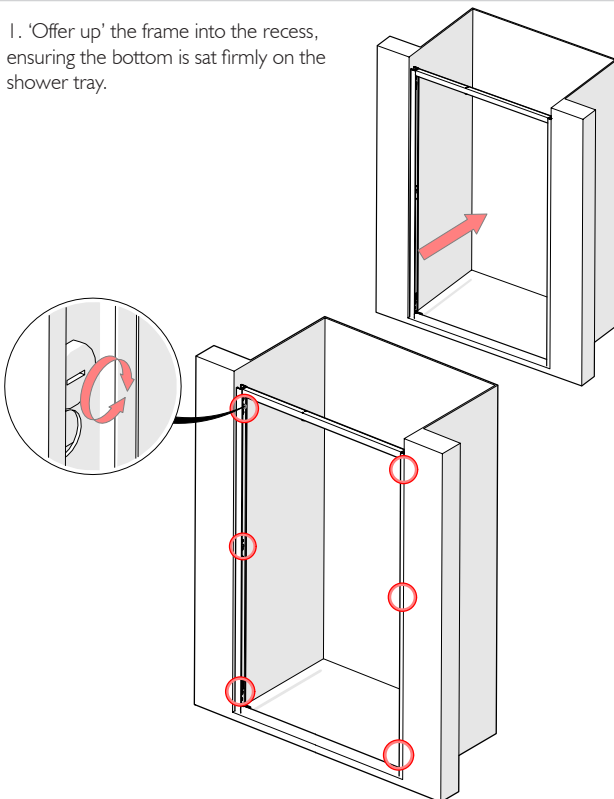
2. Remove the clip-in extrusion from each side of the frame.



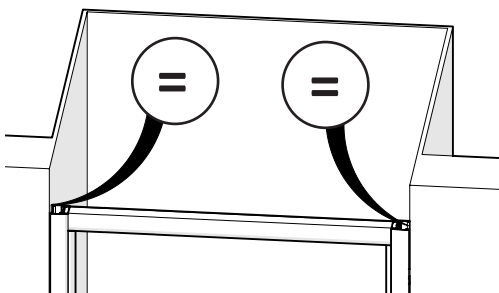
3. Ensure the removed extrusions are kept separate, as left and right.

Step 6 - Offer Up & Adjust Fit

1. 'Offer up' the frame into the recess, ensuring the bottom is sat firmly on the shower tray.

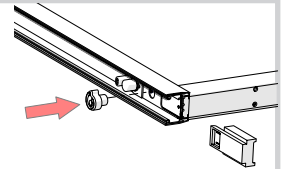


2. Using a flat headed screwdriver, adjust the six nylon adjustment screws, three down each side, in an **anti-clockwise direction**, until the frame has expanded and is only slightly wedged. Try to adjust each side equally, to achieve equal spacings down each side of the frame.

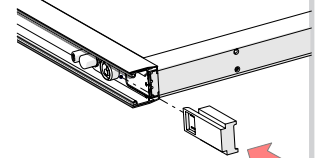


Step 5 - Fit Height Adjusters

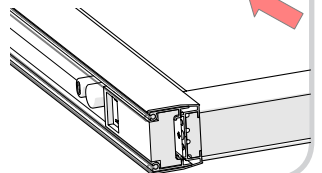
1. Insert 'Height Adj. Cam (M54-02)' into the hole on bottom corner of the outer face of the frame, ensure the cam is orientated as shown.



2. Slide the 'Height Adj. Base (M54-01)' into the frame, over the 'Height Adj. Cam,' it 'clicks' once engaged.



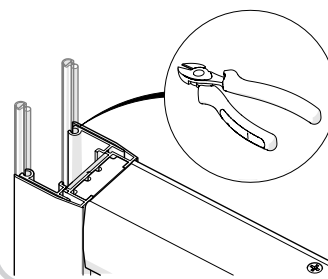
3. Push the 'Height Adj. Base' fully into the frame, flush to the bottom. Repeat for opposite side.



Step 7 - Trim Excess Seal

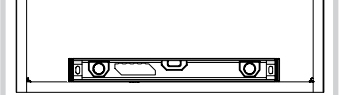
1. During the manufacturing process the seals on each side of the frame are often left 'long' to allow for expansion and contraction during transit. Ensure the seals are sitting flush with the bottom of the frame on each side.

2. Using cutting pliers, trim the seals on each side flush with the top of the frame.

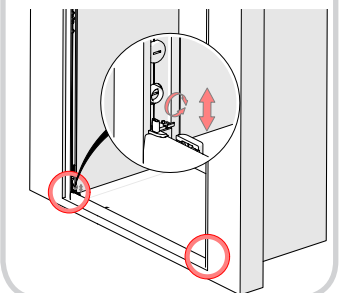


Step 8 - Adjust Height

1. Using a spirit level, check to see if the bottom frame is level, ensure the spirit level is sat down fully onto the sill.

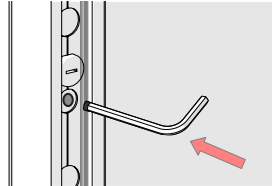
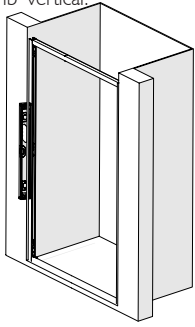


2. Using a flat-head screwdriver adjust the two nylon height adjustment screws (lower screw in each corner). Adjust until the bottom frame is level.



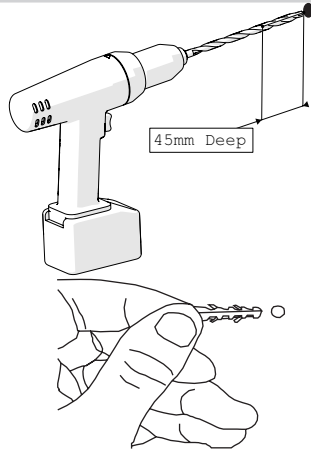
Step 9 - Mark Position of Holes

- Using a spirit level, check that the frame 'plumb' vertical.
- Using a 3mm rod (we recommend a small Allen key or drill bit), place a small amount of marking paste (we recommend shoe polish) on the end of the rod, and 'spot' through the 3 screw holes down each side of the frame (blue lined).



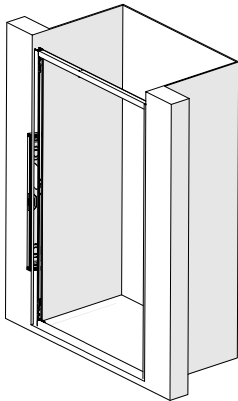
Step 10 - Drill Mounting Holes & Insert Wall Plugs

- Remove the frame from the recess, loosening the adjustment screws along each side if required (do not adjust the bottom height adjustment screws). Placing safely off to one-side.
- Using a 7mm masonry drill bit and drill (or appropriate drill bit if drilling tiles), drill six holes using the 'spot' marks from step 8, each hole should be 45mm in depth.
- Insert the six '6mm Wall Plugs' into the six holes.

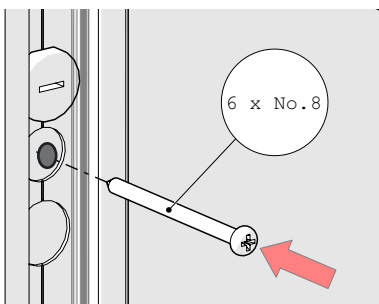


Step 11 - Fitting the Frame

- Insert the frame back into position, tighten the adjustment screws once again until the frame is even in the gap and held fast. Using a spirit level, check that the frame is 'plumb' vertical and the holes in the frame line up with the plugs in the wall. Ensure that the frame is not twisted or buckled and square on all sides.

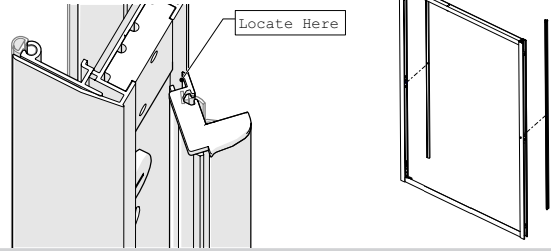


- Using 6 x No.8 Pan-head 60mm screws provided, screw the frame to the wall on each side. Be sure not to over tighten the middle screws (finger tighten only) as this may cause "bowing" of the door frame. Using the 'clip-in' extrusions as a straight edge, rest the straight edge against edge side of the frame, you'll be able to see any bowing that may have occurred. The middle screws may now be adjusted to assist in plumbing the door frame and removing the "bow."



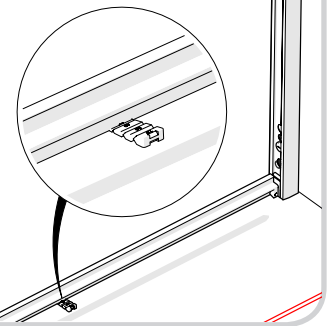
Step 12 - Re-fit Clip-In Extrusions

- Re-fit clip-in extrusions, which were removed in stage 4. The clip-in extrusion with "flipper seal" should be on the handle side of door. Ensure the leading edge is properly located along the full height before pressing the clip-in extrusion into the door frame, it will not locate properly if twisted.



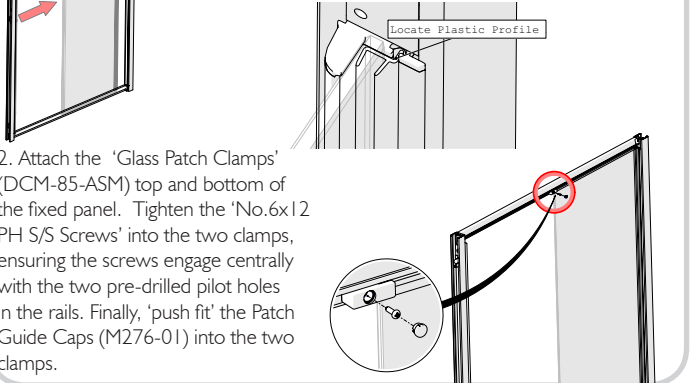
Step 13 - Shim Frame

- Often shower trays have different angled top faces, in order to help keep the frame supported use the 'Shim (M97-01)' supplied. On the inside of the enclosure measure the gap between the bottom of the rail and top of the tray, select the height required from the shim strip supplied, break off and insert under rail at fixed panel bracket position. This will support rail when glass is fitted. The shim will be concealed by silicone sealant later.



Step 14 - Fixed Glass Panel

- Fit the fixed panel glass, carefully fit glass panel into slot in wall-post, ensuring panel is square to wall. Tap the plastic profile firmly into groove of clip-in extrusion along full length, if this is not done, the fixed panel glass may interfere with the door glass when this is installed. Ensure that the glass surface treated with LIFESHIELD faces to INSIDE of shower enclosure - see label on glass.

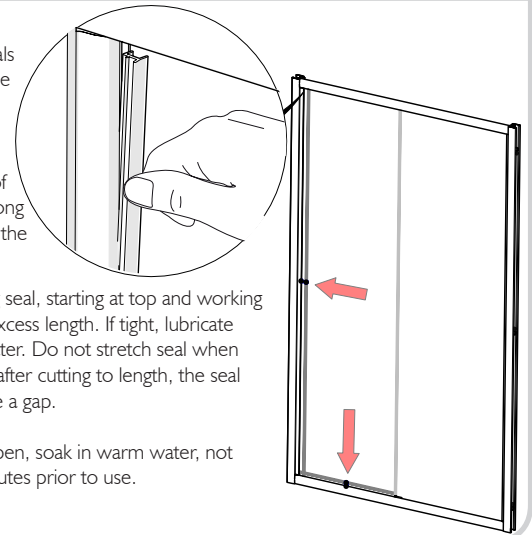


Step 15 - Fit Seal to Fixed Glass Panel

- Uncoil the two 'Glazing Wedge Seals (PlexF05)', Insert the seals to the outside of the enclosure, between the fixed glass panel and lip of the metal frame, along the side and across the bottom.

Inserting the glazing seal, starting at top and working downwards, trim excess length. If tight, lubricate glazing seal with water. Do not stretch seal when inserting, because, after cutting to length, the seal will shrink and leave a gap.

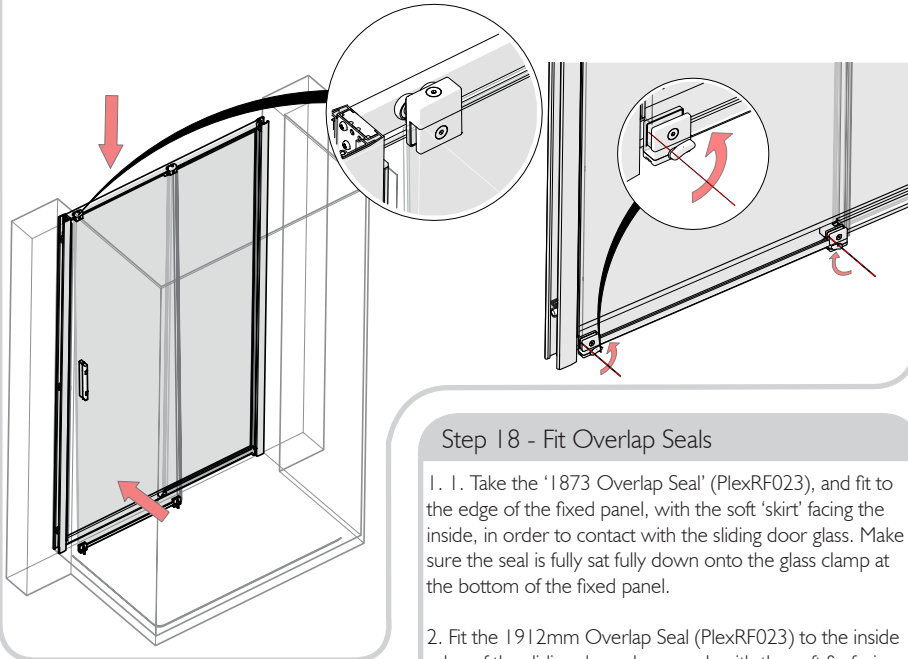
If the seal is misshapen, soak in warm water, not boiling, for 2-3 minutes prior to use.



Step 16 - Fit Glass Door

1. Fit the glass door, by first lifting the door into position with both sets of wheels sitting in the top rail profile. The rail should now take the doors weight.

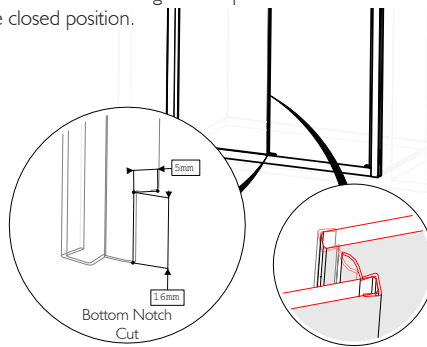
2. Turn the two release levers, until the slots in the rear arms of the release levers sits onto the bottom rail edge protrusion, holding the bottom of the door in-place.



Step 18 - Fit Overlap Seals

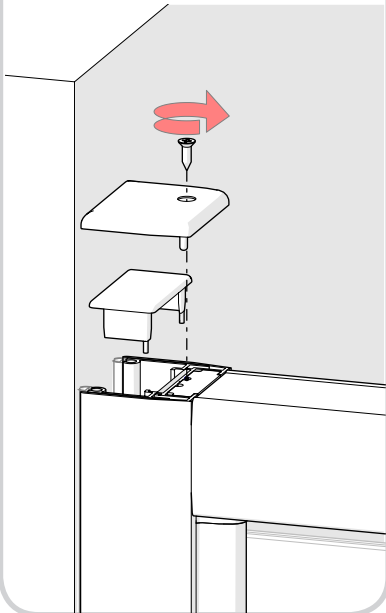
1. 1. Take the '1873 Overlap Seal' (PlexRF023), and fit to the edge of the fixed panel, with the soft 'skirt' facing the inside, in order to contact with the sliding door glass. Make sure the seal is fully sat fully down onto the glass clamp at the bottom of the fixed panel.

2. Fit the 1912mm Overlap Seal (PlexRF023) to the inside edge of the sliding door glass panel, with the soft fin facing the fixed panel. Notch the top and bottom (approximately 16mm at the bottom, and 25mm at the top), to ensure a tight contact with the glass clamp at the bottom when in the closed position.



Step 19 - Fit Cover Caps

1. At both top corners, fit the inner 'Comp. Chnl. Top Caps (M56-02)' followed by the 'Wall Jamb Top Caps (M56-01)'. Securing in place with the No.4x10mm CSK screws provided.

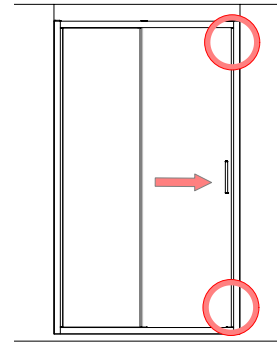


Step 21 - Wait 24hr

1. Allow 24 hours before using the shower.

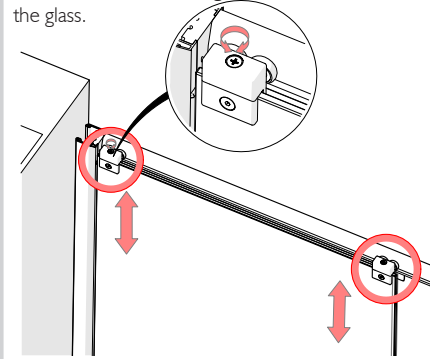


Step 17 - Adjust Glass



1. Looking from the outside of the enclosure, slide the door into the closed position, with the glass pushed up against the seal on the wall post. Check the door glass is level with the wall post down the entirety of its edge.

2. If there is an uneven gap, the glass in the door can be adjusted either up or down at each corner with the rollers. Using a Pozi-head Screwdriver, loosen or tighten the bolt located on the top of each roller set. Each roller has around 6mm of adjustment, clockwise will lower the glass, anti-clockwise raises the glass.



IMPORTANT: You must ensure that the bottom of the glass door runs completely parallel with the top surface of the bottom rail, if not you need to adjust the enclosure ensuring everything is level. Failure to follow this instruction will cause the bottom seal to tear prematurely and invalidate the seals 2 year guarantee.

Step 20 - Silicone

1. On the outside, silicone around all three junctions with the wall and tray, and also on the frame where the sill meets the uprights. On the inside, only silicone along the two vertical junctions with the wall, and around the shim.

Do not silicone seal on the inside of unit (except where shown). Sealing the wall posts & sills to the tray on the inside can result in leakage problems- please note that, in use, water can penetrate into the frame extrusions- this has no detrimental effect to the product- however, this water must be allowed to drain out of the extrusions to the inside.

Outside Only

Inside Only

