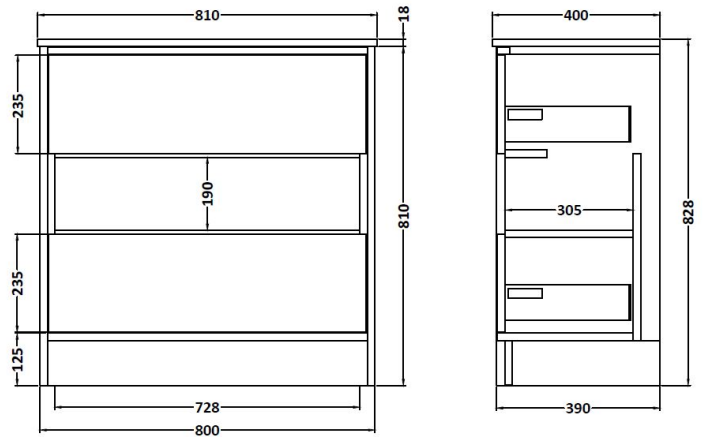


CUSTOMER DATA SHEET

SALES CODE: CST878

DESCRIPTION: Coast Fs 800mm Basin Unit - Option 2



PACKAGING DETAILS

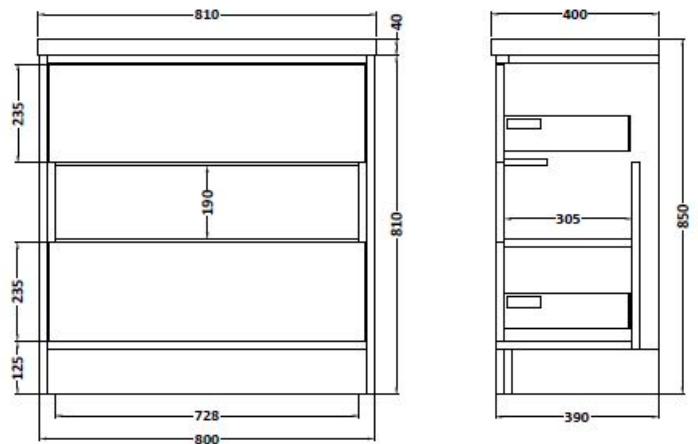
Barcode

5055275868324

CUSTOMER DATA SHEET - FURNITURE

SALES CODE: FMC878

DESCRIPTION: 800mm F/S 2 Dwr Van Central Open Shelf



PRODUCT DIMENSIONS

| Height (mm) | Width (mm) | Depth (mm) | Nett Wgt Kg |
|-------------|------------|------------|-------------|
| 810 | 800 | 390 | 29 |

PACKAGING DIMENSIONS

| Height (mm) | Width (mm) | Depth (mm) | Gross Wgt Kg |
|-------------|------------|------------|--------------|
| 400 | 840 | 850 | 29 |

PACKAGING DATA

| | | | |
|------------|---------------------|--------------|-------------|
| Box Colour | Brown Cardboard Box | | |
| Box Qty | 1 | Label Colour | White Label |
| Label Size | 100 x 50 | Label Qty | 2 |

OUTER BOX DIMENSIONS (If Applicable)

| Height (mm) | Width (mm) | Depth (mm) | Gross Wgt Kg |
|-------------|---------------|------------|--------------|
| | | | |
| Barcode | 5055369096961 | | |

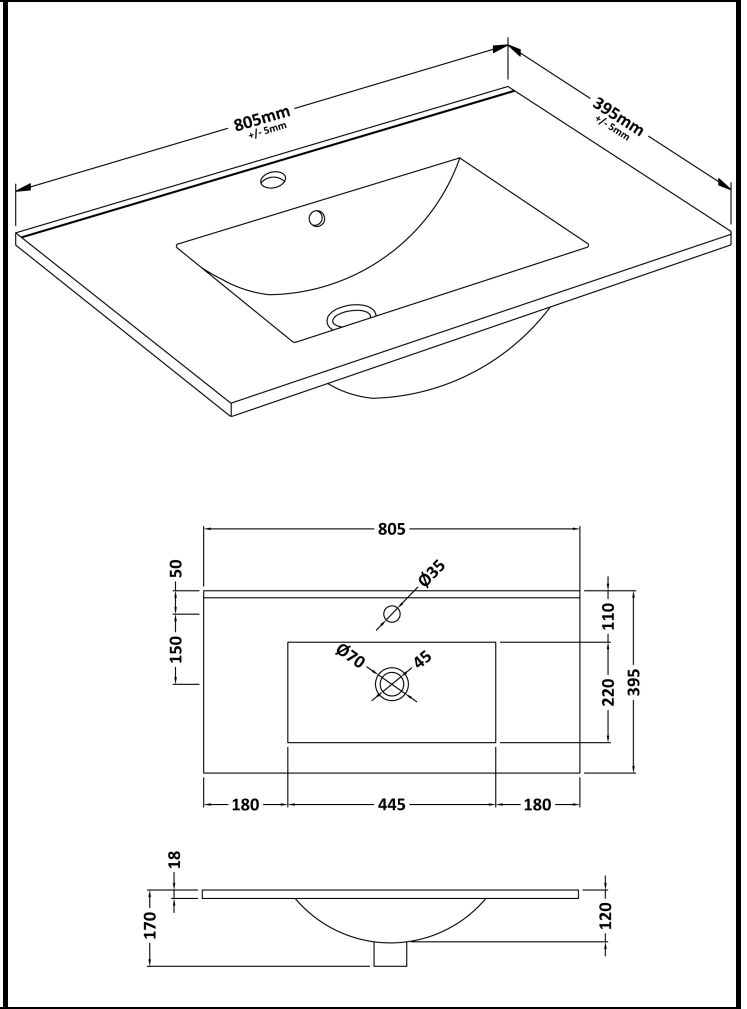
PRODUCT DETAILS

| | | | | |
|---------------------|----------------------------|-----|----|-----|
| Country of Origin | Ireland | | | |
| Fitting Instruction | No | | | |
| Constr' Method | Glue & Dowelled | | | |
| Cabinet Finish | MFC Gloss | | | |
| Cab Thickness (mm) | 18 | | | |
| Drawer Included | Yes | | | |
| No of Shelves | 0 | | | |
| Hinge Inc' | No | | | |
| Fixings Inc' | Yes | | | |
| Handle Inc' | No, Not Required | | | |
| Handle Type | Handleless | | | |
| Certification | FSC | Yes | CE | N/A |
| Colour | Grey Gloss/Driftwood | | | |
| Constr' Type | Rigid | | | |
| Fascia Finish | Mdf Vinyl Gloss | | | |
| Fas Thickness (mm) | 18 | | | |
| Drawer Type | Blum Tip-On (Push To Open) | | | |
| Hinge Type | Not Applicable | | | |
| Adjustable Legs | Yes, Supplied | | | |
| Handle Style | Not Applicable | | | |
| Waste Shroud | Yes | | | |

CUSTOMER DATA SHEET - CERAMICS

SALES CODE: NVM005

DESCRIPTION: Minimalist Basin 800mm



PRODUCT DIMENSIONS

| Height (mm) | Width (mm) | Depth (mm) | Nett Wgt Kg |
|-------------|------------|------------|-------------|
| 170 | 800 | 390 | 16.9 |

PACKAGING DIMENSIONS

| Height (mm) | Width (mm) | Depth (mm) | Gross Wgt Kg |
|-------------|------------|------------|--------------|
| 400 | 820 | 200 | 16.9 |

PACKAGING DATA

| | | | |
|------------|-------------------------------|--------------|-------------|
| Box Colour | Brown Cardboard Box - Printed | | |
| Box Qty | 1 | Label Colour | White Label |
| Label Size | 100 x 50 | Label Qty | 2 |

OUTER BOX DIMENSIONS (If Applicable)

| Height (mm) | Width (mm) | Depth (mm) | Gross Wgt Kg |
|-------------|---------------|------------|--------------|
| | | | |
| Barcode | 5055146194675 | | |

PRODUCT DETAILS

| | |
|---------------------|-------|
| Country of Origin | China |
| Fitting Instruction | No |

| | | | | | | |
|------------------|----------------|----|------|-----|-------------|-----|
| Certification | CE | No | WRAS | N/A | WRAS Number | N/A |
| Product Material | Vitreous China | | | | | |

PANS/BIDETS

| | | | |
|------------|----------------|---------------|----------------|
| Trap Style | Not Applicable | Includes Seat | Not Applicable |
|------------|----------------|---------------|----------------|

CISTERNS

| | | | |
|------------|----------------|----------------|----------------|
| Fittings | Not Applicable | Operating Type | Not Applicable |
| Lever Type | Not Applicable | | |

SEAT

| | | | |
|------------|----------------|----------------|----------------|
| Type | Not Applicable | Function | Not Applicable |
| Material | Not Applicable | | |
| Hinge Type | Not Applicable | Hinge Material | Not Applicable |

BASINS

| | | | |
|------------------|--------------|------------------|---------|
| Tap Hole | One Taphole | Chain Stay Hole | No |
| Template | Not Required | Waste Type Req'd | Slotted |
| Overflow Incl. | Yes | Overflow Cover | Yes |
| Inner Bowl Depth | 210mm | | |

GENERAL

| | |
|-----------------|----|
| Fixing Supplied | No |
|-----------------|----|