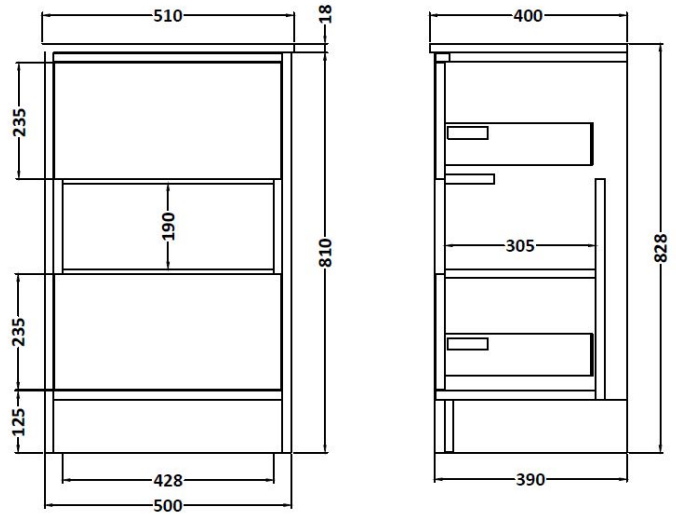


CUSTOMER DATA SHEET

SALES CODE: CST875

DESCRIPTION: Coast Fs 500 Basin Unit - Option 2



PACKAGING DETAILS

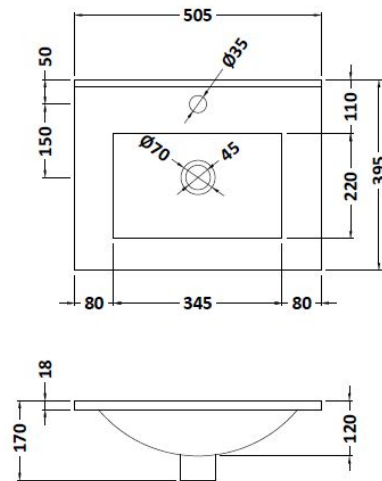
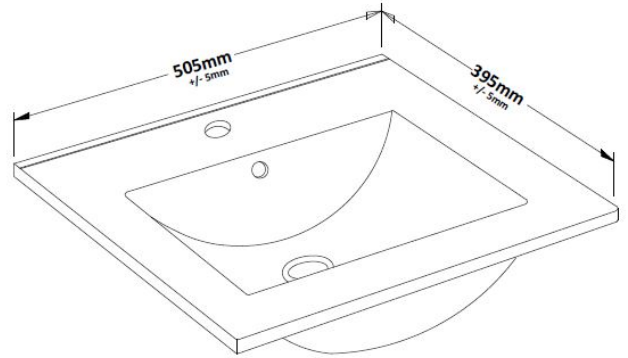
Barcode

5055275888209

CUSTOMER DATA SHEET - CERAMICS

SALES CODE: FCM002

DESCRIPTION: 500 Minimalist Basin 1Th



PRODUCT DIMENSIONS

Height (mm)	Width (mm)	Depth (mm)	Nett Wgt Kg
170	500	390	9

PACKAGING DIMENSIONS

Height (mm)	Width (mm)	Depth (mm)	Gross Wgt Kg
400	520	200	9

PACKAGING DATA

Box Colour	Brown Cardboard Box		
Box Qty	1	Label Colour	White Label
Label Size	105 x 50	Label Qty	1

OUTER BOX DIMENSIONS (If Applicable)

Height (mm)	Width (mm)	Depth (mm)	Gross Wgt Kg
Barcode	5055275831755		

PRODUCT DETAILS

Country of Origin	China
Fitting Instruction	No

Certification	CE	WRAS	WRAS Number
Product Material	Vitreous China		

PANS/BIDETS

Trap Style	Not Applicable	Includes Seat	Not Applicable
------------	----------------	---------------	----------------

CISTERNS

Fittings	None Included	Operating Type	Not Applicable
Lever Type	Not Applicable		

SEAT

Type	Not Applicable	Function	Seat Not Include
Material	Not Applicable		
Hinge Type	Not Relevant	Hinge Material	Not Applicable

BASINS

Tap Hole	One Taphole	Chain Stay Hole	No
Template	Not Required	Waste Type Req'd	Slotted
Overflow Incl.	Yes	Overflow Cover	Yes
Inner Bowl Depth	220mm		

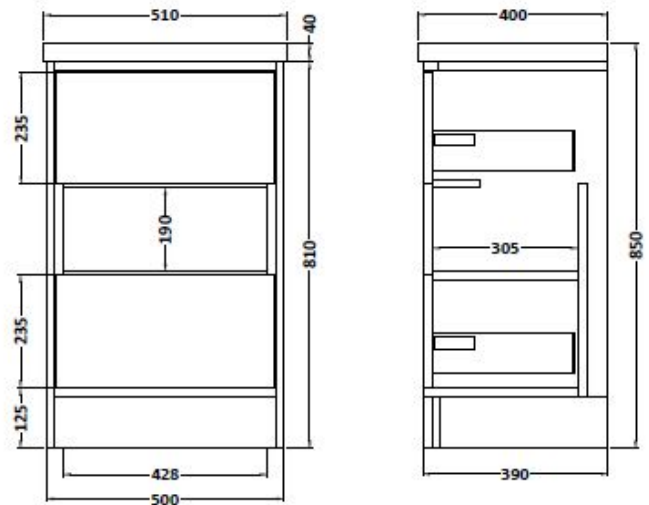
GENERAL

Fixing Supplied	No
-----------------	----

CUSTOMER DATA SHEET - FURNITURE

SALES CODE: FMC874

DESCRIPTION: 500mm F/S 2 Dwr Van Central Open Shelf



PRODUCT DIMENSIONS

Height (mm)	Width (mm)	Depth (mm)	Nett Wgt Kg
810	500	390	27

PACKAGING DIMENSIONS

Height (mm)	Width (mm)	Depth (mm)	Gross Wgt Kg
400	530	850	27

PACKAGING DATA

Box Colour	Brown Cardboard Box		
Box Qty	1	Label Colour	White Label
Label Size	100 x 50	Label Qty	2

OUTER BOX DIMENSIONS (If Applicable)

Height (mm)	Width (mm)	Depth (mm)	Gross Wgt Kg
Barcode	5055369096923		

PRODUCT DETAILS

Country of Origin	Ireland			
Fitting Instruction	No			
Constr' Method	Glue & Dowelled			
Cabinet Finish	MFC Gloss			
Cab Thickness (mm)	18			
Drawer Included	Yes			
No of Shelves	0			
Hinge Inc'	No			
Fixings Inc'	Yes			
Handle Inc'	No, Not Required			
Handle Type	Handleless			
Certification	FSC	Yes	CE	N/A
Colour	Grey Gloss/Driftwood			
Constr' Type	Rigid			
Fascia Finish	Mdf Vinyl Gloss			
Fas Thickness (mm)	18			
Drawer Type	Blum Tip-On (Push To Open)			
Hinge Type	Not Applicable			
Adjustable Legs	Yes, Supplied			
Handle Style	Not Applicable			
Waste Shroud	Yes			