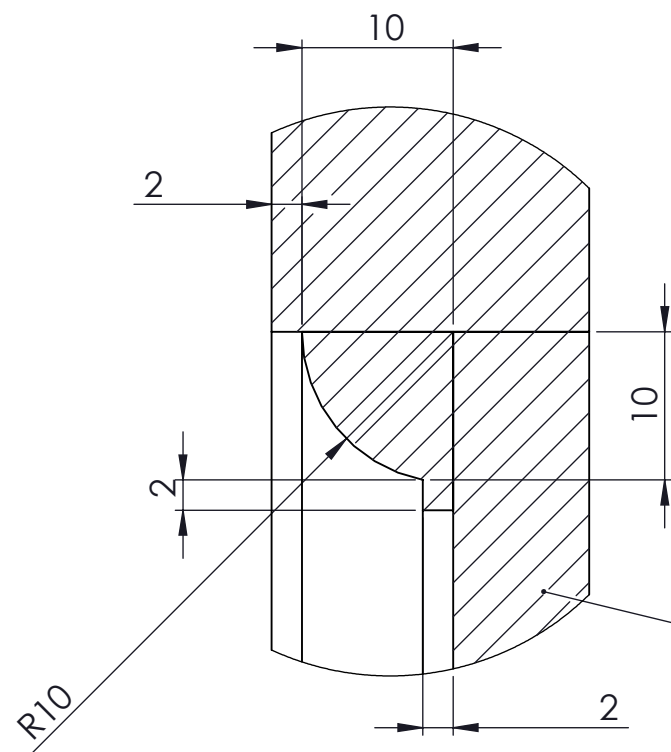
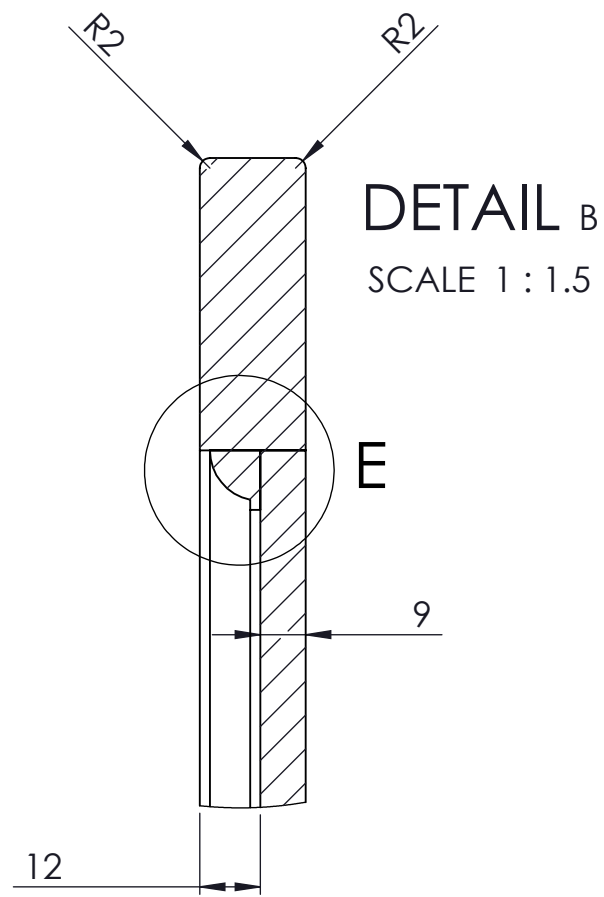


SECTION A-A



DETAIL E  
SCALE 2 : 1

NOTE:  
SAME BEADING PROFILE USED  
ON FLOOR MOUNTED FURNITURE

**ROPER RHODES**®

Design © Roper Rhodes Ltd

Copyright / design right owned by Roper Rhodes Ltd. In the event of this being infringed Roper Rhodes Ltd will take any necessary legal action to protect it.

Revision: 21 January 2021

Created: 20 January 2021

Sheet 1 of 2

Title: DRW\_BP900 - HAMPTON 1700 BATH PANEL - MAIN PANEL

Material: VARIOUS

Finish: PAINTED - HAMPTON FINISHES

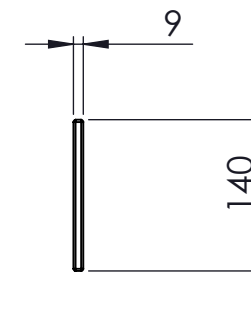
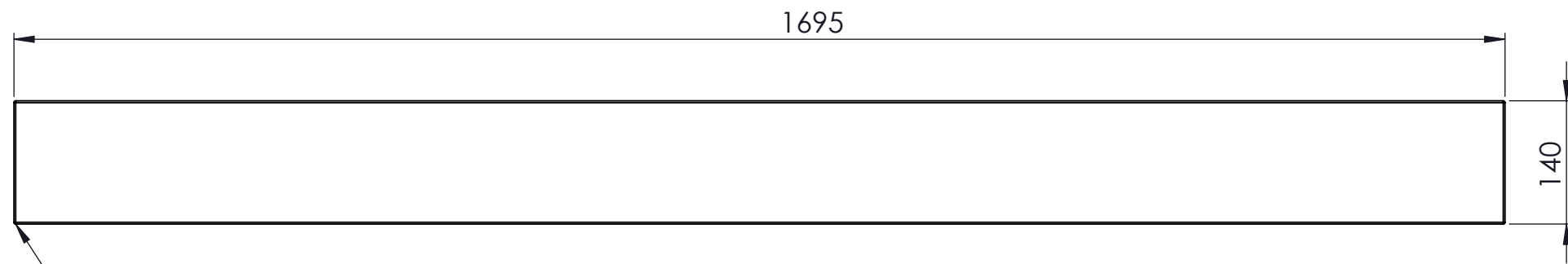
Dimensions: mm

Drawn by: Greg Williams

Scale: 1:7

**A3**





2MM RADIUS ON ALL EDGES  
FOR PAINT ADHERSION

**ROPER RHODES**<sup>®</sup>

Design © Roper Rhodes Ltd

Copyright / design right owned by Roper Rhodes Ltd. In the event of this being infringed Roper Rhodes Ltd will take any necessary legal action to protect it.

Revision: 21 January 2021

Created: 20 January 2021

Sheet 2 of 2

Title: DRW\_BP900 - HAMPTON 1700 BATH PANEL - MAIN PANEL PLINTH

Material: VARIOUS

Finish: PAINTED - HAMPTON FINISHES

Dimensions: mm

Drawn by: Greg Williams

Scale: 1:7

**A3**

