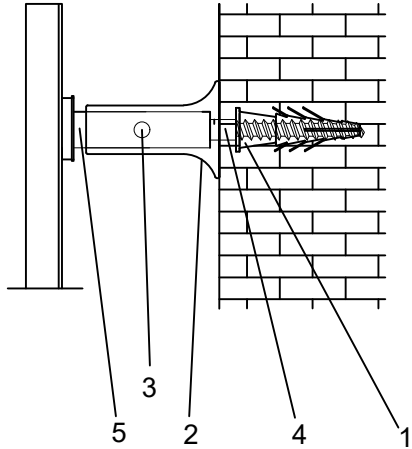


# PICOLI INSTALLATION GUIDE

This product must be fitted only by a fully qualified installer.

## DESCRIPTION ILLUSTRATION

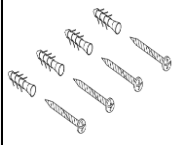


Ref	Description	Illustration	Qty
1	Screw anchor		x4
2	Mounting bracket		x4
3	Security screw		x4
4	Fixing screw		x4
5	Mounting screw		x4

Tolerance Dim :± 2 mm

## DESCRIPTION ILLUSTRATION

Fixing choose the appropriate fixing for the wall material if required



PTFE tape



Electric drill



Masonry drill bit appropriate to the fixings



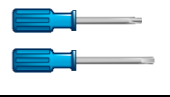
Adjustable spanner



Radiator valve hex key



Flat head and philips head screw drivers



1 lock shield valve and 1 gate or thermostatic valve



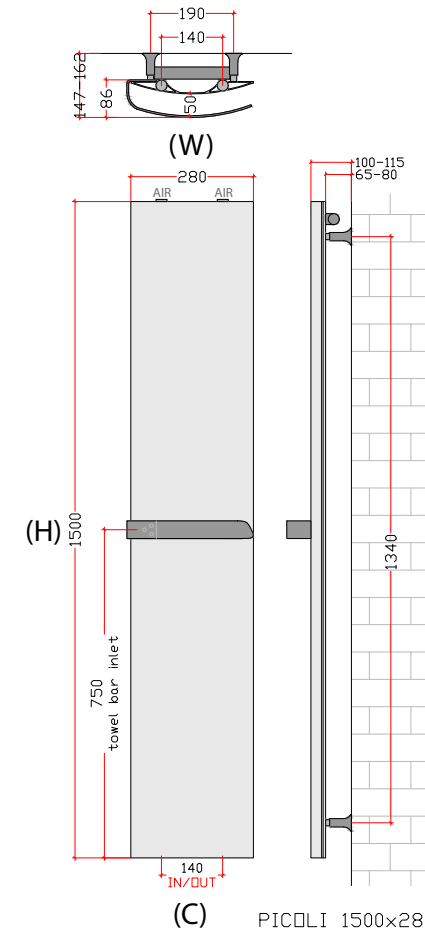
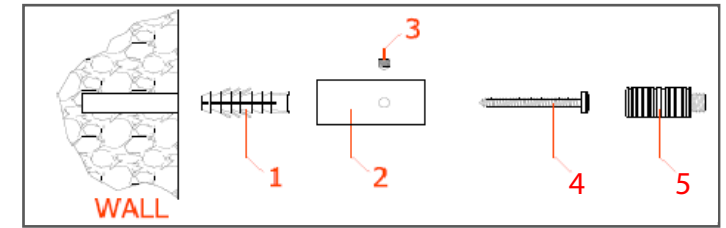
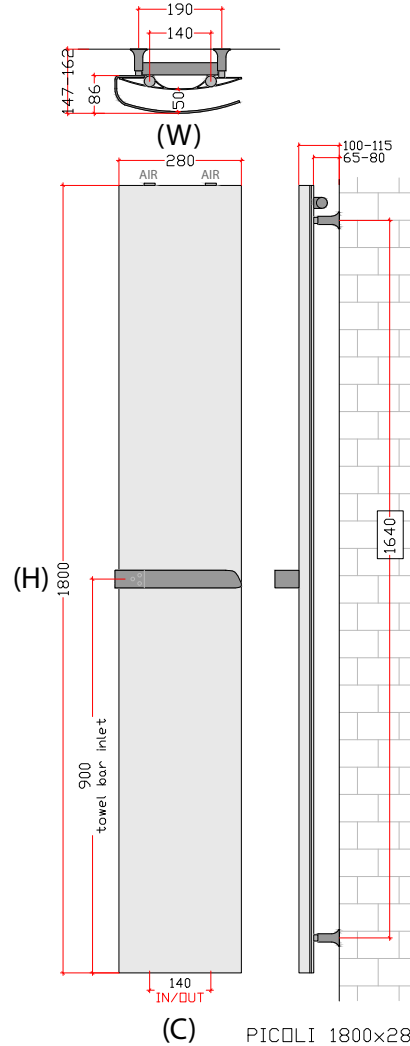
Spirit level



Measuring tape



HEIGHT (H)	WIDTH (W)	CONNECTION AXIS G 1/2" (C)
1800 mm	280 mm	140 mm
1500 mm	280 mm	140 mm



- The radiator should not be mounted closer than 50mm below any overhanging surface (i.e. shelf) and no lower than 100mm from the floor. Transfer the bracket drill position measurements to the wall.
- A** Drill the wall and insert wall anchors (1) (or other suitable fixings).
- B** Put the brackets (2) on the wall and screw them to the wall anchors (1) with fixing screws (4).
- C** Screw the brackets (5) onto the nuts welded on the back of the radiator.
- D** Insert brackets (5) into the brackets (2) and tighten the security screws (3).

## GENERAL RECOMMENDATION

- Before fitting the radiator it is necessary to wash out the heating system to remove any existing mud, scale, work residues, traces of flux, oil, etc.
- When the system water pH is outside the 5,5-8,5 range and/or when the dissolved is above 0,1mg/litre, it is always needed to protect the heating system components (the radiator is one of these) with a proper chemical treatment compatible with all parts in contact with water (silicon rubber too).
- In order to fit the radiator to the wall, it is necessary to choose the proper fixings for the wall material.
- If the system water exceeds 50°C, please install a warning mark near the radiator to avoid any accidental scalding.
- Clean the radiator surface only with a soft cloth to avoid scratching the finish and do not use chemical againts during cleaning operations. It is prohibited to climb on the radiator.
- Maximum working temperature 95°C, maximum working pressure 4 bar.