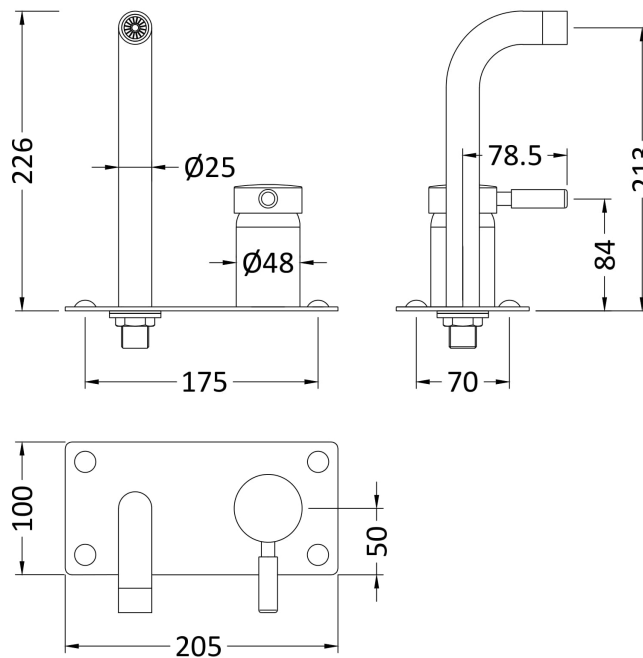


Sales Code: PK428

Description: Round W/H Basin/Bath Filler



Product Dimensions

Height (mm):	
Width (mm):	
Depth (mm):	
Length (mm):	
Nett Weight (kg):	3.26

Packaging Dimensions

Height (mm):	140
Width (mm):	180
Depth (mm):	350
Gross Weight (kg):	3.26

Packaging Data

Box Colour:	
Box Qty:	
Label Size:	x
Label Colour:	
Label Qty:	

Outer Box Dimensions (If Applicable)

Height (mm):	
Width (mm):	
Depth (mm):	
Length (mm):	
Gross Weight (kg):	
Barcode:	5056462659121

Product Details

Country of Origin:	China
Fitting Instruction:	No
Product Material:	
Control Type:	
Waste Included:	
Waste Type:	
WRAS Approval:	Approval No:
Valve/Cartridge Type:	
Colour/Finish:	Matt Black
Mount Type:	
Operating Pressure (bar):	
Flow Rates: (Litres Per Min)	0.1 bar: 0.5 bar: 1 bar: 2 bar: 3 bar:
Pipe Size:	
Pipe Centres:	