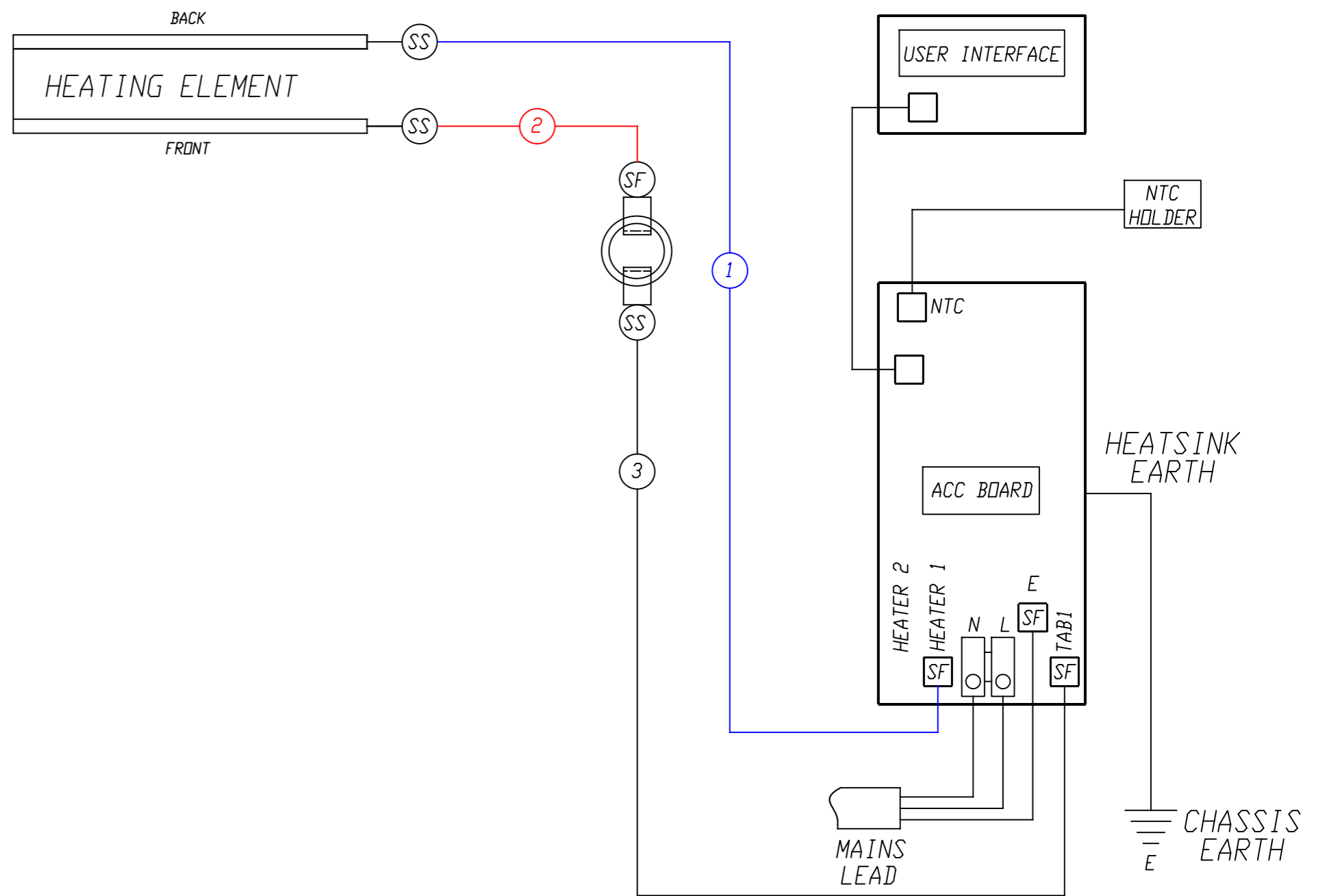


PART NO.	DESCRIPTION	ASSY. NO.
WA1B1FS010	100mm BLUE 1.0MM <sup>2</sup> SINGLE FLAG ——— SINGLE STRAIGHT	1
02/62391/0	150mm RED 1.0MM <sup>2</sup> SINGLE FLAG ——— SINGLE STRAIGHT	2
WA5W1FS020	200mm WHITE 1.5MM <sup>2</sup> SINGLE FLAG ——— SINGLE STRAIGHT	3



ISSUE	MODIFICATIONS	APPD	DATE
1	ISSUED FOR PRODUCTION	JB	14/11/17

NOTES

ALL WIRE ASSY'S ARE TO BE SILICONE RUBBER INSULATED WIRE.

DO NOT SCALE  
IF IN DOUBT ASK

**GLEN DIMPLEX** RESEARCH & DEVELOPMENT  
Dunleer, Co.Louth, Ireland. Tel: 041 51309. Fax: 041 51464.

DRAWN BY JB	DATE 13/07/16	SCALE -	HOLE TOL +/-0.05	GEN TOL 0 +/-0,4 0,0 +/-0,2 0,00+/-0,1
APP'D BY JH	DATE 14/11/17	DIM IN mm	ANGLES +/-0.5°	

MATERIAL  
FINISH

THIS DRAWING IS SUPPLIED IN CONFIDENCE AND THE COPYRIGHT THEREOF IS THE PROPERTY OF GLEN DIMPLEX. IT MUST NOT BE USED BY A THIRD PARTY WITHOUT PRIOR PERMISSION. ©2016

PROJECT *PLX 2017*

TITLE  
*5-20 WIRING DIAGRAM*

DRG NO  
*00/11871/0*

A3  
Sht 1 of 1