

PM2 CSHXTVO C

PRISM Shower Range Prism Exposed Concentric Top Outlet Shower Valve



Specification

Style:	Contemporary
Finish/Colour:	Chrome
Main Construction Material:	Brass
No of Controls:	2
Shower Type:	Concentric
Temperature Control:	Thermostatic
Shower Head Type:	
Maximum Temperature Setting: °C	42
Maximum Hot Water Temperature: °C	65
Dynamic Pressure Range: (bar)	Min 0.1 Bar, Max 5.0 Bar
Maximum Static Pressure: (bar)	10
Plumbing System Suitability:	Suitable for all plumbing conditions
Flow Rate (l/min @ 3 bar)	14.6
Flow Regulator:	Yes
Connection Inlet:	15mm Compression
Connection Outlet:	15mm Compression
Isolation Valve Included:	No
Check Valve Included:	Yes

Features:

- Top outlet
- Adjustable inlet centres mean you can use existing pipework with centres between 136mm and 158mm
- Supplied with 8l/m flow limiters
- Chrome plated to BS EN 248
- Matching taps available

Product Certifications:



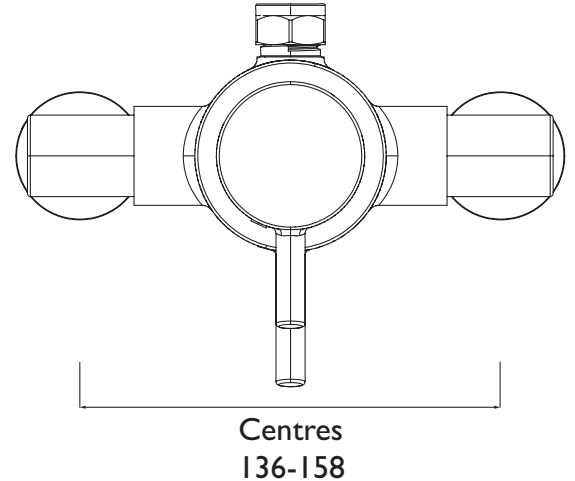
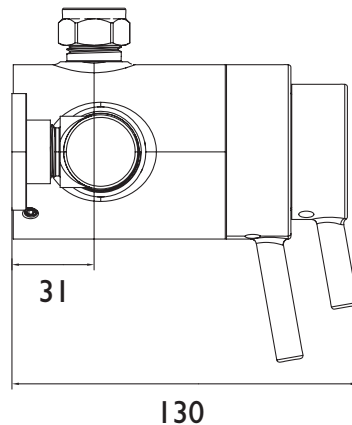
WRAS Cert. Number: 2207907
WRAS Expiry Date: 31/07/2027



For more products, please visit our website:



Dimensions (measurements in mm)



Flow Rates (l/min)

System Pressure (bar)	0.1	0.2	0.5	1	2	3	5
With Flow Regulators			11.9	13.4	13.2	13.1	11.4
Without Flow Regulators	3.5	7.5	14.3	20.7	30.9	37.8	48.9

TECHNICAL DATA SHEET



BRISTAN

TAPS & SHOWERS

D4