

PM2 CSHXVO C

PRISM Shower Range Prism Exposed Concentric Chrome Shower Valve Only



Specification

Finish/Colour:	Chrome
Main Construction Material:	Brass
No of Controls:	2
Shower Type:	Bar
Shower Head Type:	None
Shower Kit:	N/A
Valve/Cartridge Type:	Thermostatic Cartridge
Maximum Hot Water Supply Temperature °C:	65
Plumbing System Suitability:	Suitable for all plumbing systems
Minimum Dynamic Pressure (bar):	0.2
Maximum Dynamic Pressure (bar):	5.0
Maximum Static Pressure (bar):	10
Connection Inlet:	15mm Compression
Connection Outlet:	1/2"
Isolation Valve Included:	No
Check Valve Included:	Yes

Features:

- 15mm inlet connections
- Easy replacement with adjustable inlets so you can use on existing pipework centres between 136mm and 158mm
- Thermostatic cartridge with preset temperature stop at 42°C
- Supplied with 2 x 8L/min flow regulators
- Bottom outlet

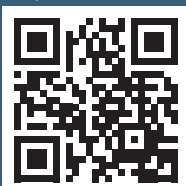
Product Certifications:



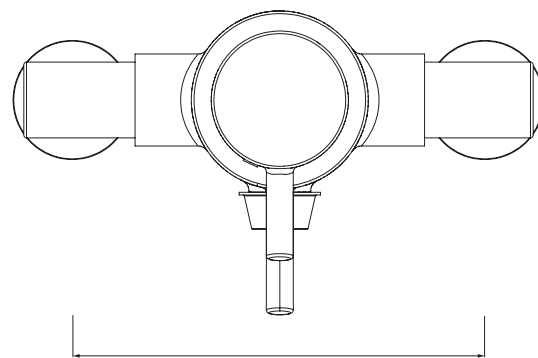
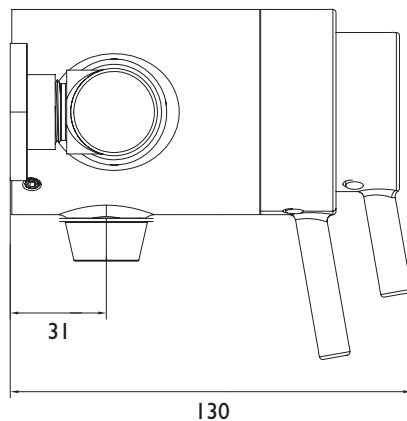
WRAS Cert. Number: 2205904
WRAS Expiry Date: 31/05/2027



For more products, visit our website:
<http://www.bristan.com>



Dimensions (measurements in mm)



Flow Rates (l/min)

System Pressure (bar)	0.2	0.5	1	2	3	5
Valve Only/Largest FR (mixed)	4.9	15	21.9	31	37.9	49
With Flow Limiters (mixed)	4.5	11.8	14.1	13.8	13.6	10.6

TECHNICAL DATA SHEET



BRISTAN

D5