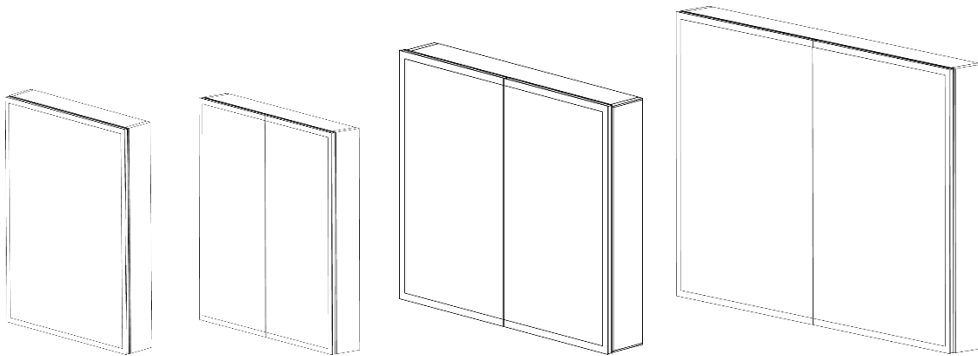


## Technical Data Sheet

PRESENCE – PSC050, PSC065 & PSC100



### Box Contents

Presence Cabinet | 2 glass shelves | 2x Wall hanging brackets | 4x wall plugs | 4x screws | Instructions booklet

### Materials

*Carcass:* Extruded Aluminium

*Door:* Double sided mirror

*Glass:* 3mm PVC Backed

*Carcass end caps:* Painted plastic

FAQ's:	Units	PSC050	PSC065	PSC080	PSC100
Internal dimensions (L x W x D)	mm	658 x 464 x 100	658 x 614 x 100	658 x 768 x 100	658 x 964 x 100
Shelf dimensions (L x W x D)	mm	456 x 95 x 8	606 x 95 x 8	756 x 95 x 8	956 x 100 x 8
Max shelf spacing	mm	Customer can adjust to suit any spacing requirements			
Distance between door hinges	mm	450			
Individual door dimensions (L x W x D)	mm	700 x 500 x 16	700 x 324 x 16	700 x 400 x 16	700 x 500 x 16
Max door opening angle	°	110			
Max depth with door open	mm	626	450	515	626
Hanging bracket centres	mm	464	614	768	964
What is the thickness of the mirror glass?	mm	3			
Is the cabinet IP44 rated?	-	Yes – suitable for use in bathroom zone 2			
What size fuse should I use?	-	Seek the advice of an electrician			
What is the total power consumption?	W	36.5	66	69	73
Does the cabinet have an energy rating?	-	Yes – It has an energy rating of: A			
What is the colour of the light and the Kelvin rating?	K	2700 - 6000			
What is the Lumen of the LEDs?*	Lms	2193	3672	3978	4386
What is the wattage of the lights?	W	21.5	38	39	43
Where is the touch sensor/rocker switch located?	-	Front bottom right	Front left door – bottom right		
Where is the shaver socket located?	-	Inside on the top right			
Can the LED lighting be replaced?	-	No**			
Can the IR sensor be replaced?	-	No			
What is the output of the demister pad?	W	15	30	30	30
What are the dimensions of the demister pad? (L x W)	mm	200 x 300	150 x 400	150 x 400	200 x 300
How do I turn on the demister pad?	-	The demister pad will turn on when the LEDs are turned on.			
Are illuminated cabinets supplied with mains cable?	-	All illuminated cabinets are supplied with a removeable 500mm mains cable. There is ample storage for excess cable in the back of the unit.			

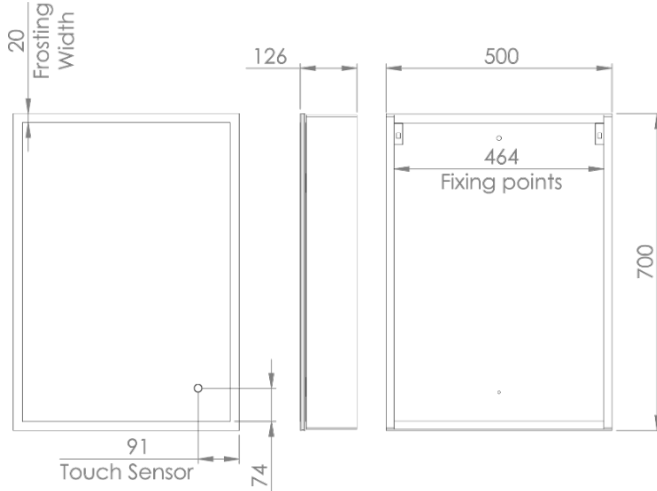
Dimensions are subject to change; customers are advised to measure actual product before commencing installation.

Fixing point dimensions are for guidance only/the positions of wall fixing must be checked when product is received.

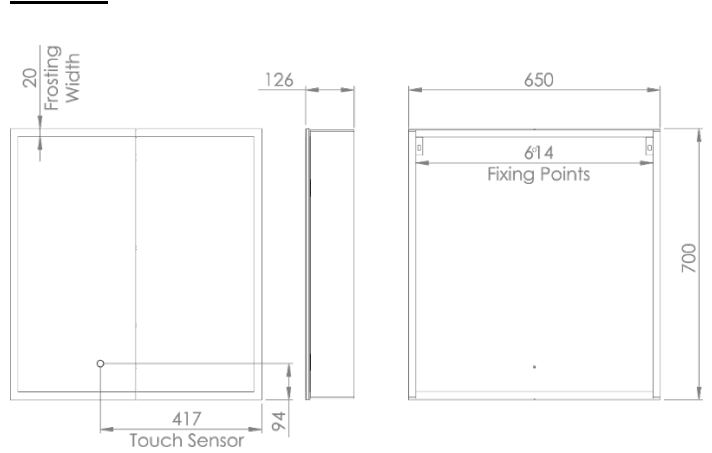
\*The Lumen represents the output of the LED. This may vary depending on the diffuser material i.e., glass or acrylic.

\*\*The LEDs are not replaceable to maintain the integrity of the product's resistance to moisture ingress

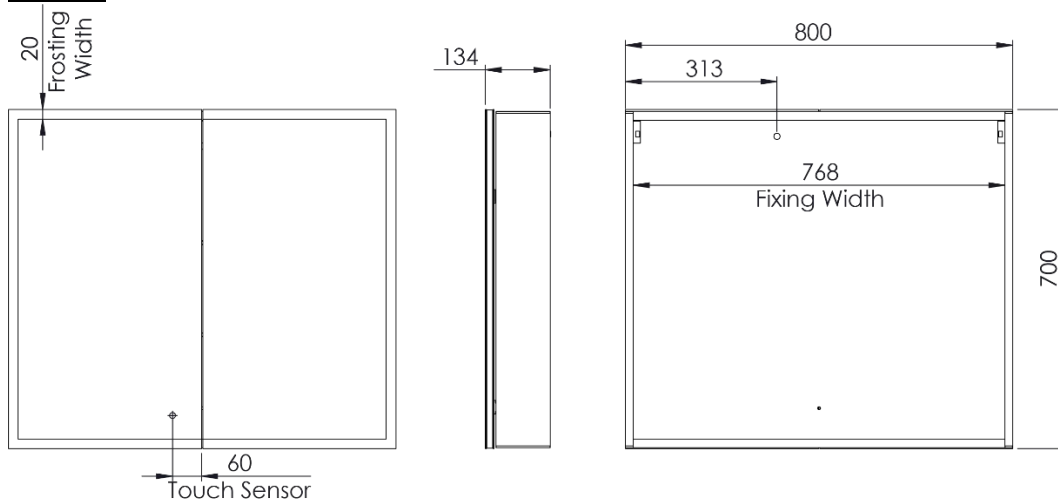
## PSC050



## PSC065



## PSC080



## PSC100

