

© Roper Rhodes Ltd. 2020

Roper Rhodes, Brassmill Lane Trading Estate, Bath, BA1 3JF
TEL: 01225 303 900 | techsupport@roperrhodes.co.uk
www.roperrhodes.co.uk

PRESENCE

Surface Mounted Illuminated Cabinet

Installation and Operating Instructions

Retain for future reference

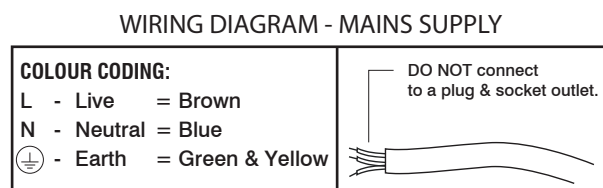
Electrical Safety

Suitable for UK Installations **only**.

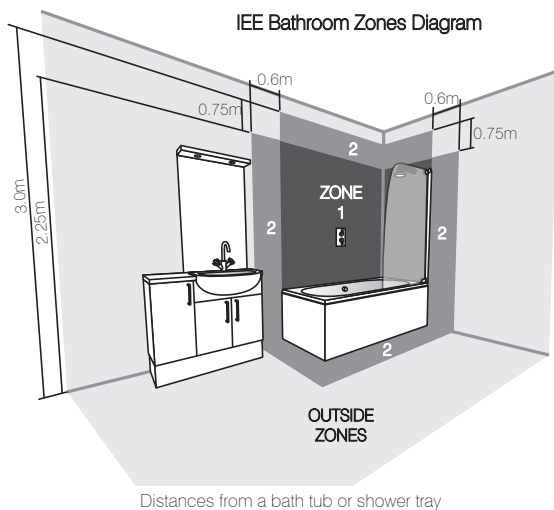
All fittings must be installed by a competent person, in accordance with current IEE wiring regulations. If in doubt consult a qualified electrician.

Important: Always switch off the electrical supply at the mains during installation and maintenance. It is recommended that the fuse is withdrawn or the circuit breaker is switched off for the necessary circuit before installation commences.

This product is manufactured to class I category and **must** have an earth connection.



Bathroom Zones



Bathroom fittings are subject to the appropriate zones in accordance with IEE Regulations. This product is **only** suitable for permanent installation in outside zones. This product is **not** suitable for installation in Zone 0 or 1, saunas, steam rooms or shower cubicles. Do **not** connect to a trailing plug and socket. Suitable for indoor use only. Do not install onto surfaces that are either damp or electrically conductive.

After care service

Cleaning your product

When cleaning the cabinet or any mirrored surfaces it is recommended to use a soft, dry, non abrasive cloth with the cabinet turned off. Do not use cleaning agents or abrasive materials.

Do not allow moisture to come into contact with any electrical components.

Troubleshooting & After care service

For any further assistance, please feel free to contact our tech support team at: techsupport@roperrhodes.co.uk

Roper Rhodes Ltd reserves the right to amend the specification of its products at any time if an opportunity to improve the product occurs. All dimensions are approximate and are quoted within reasonable tolerances.

For more product information visit our website www.roperrhodes.co.uk where you can watch product videos and view more detailed information on Roper Rhodes cabinets and mirrors as well as the rest of our bathroom product range.

Compliance

This product complies with all relevant British and European safety standards.

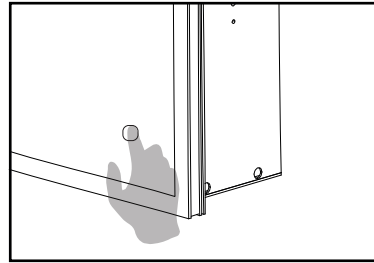


Operating Instructions

The Presence cabinet comes with LED lighting and heated doors, which are controlled via a fixed touch sensor located on the front face of the product. The lighting can be controlled using the button functions detailed below:

Turn Mirror ON/OFF

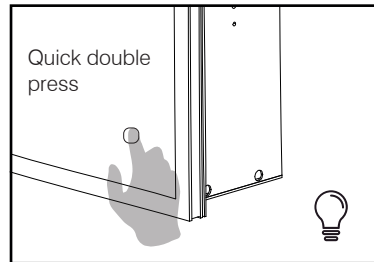
To turn the product on/off, short press the touch sensor. When the product is on, the heated demister will turn on.



Change LED colour

1. When the product is ON
2. Quickly double press the touch sensor to cycle through the colour temperature options. (2700k, 4000K and 6000K)

Note: The colour temperature will be memorised.

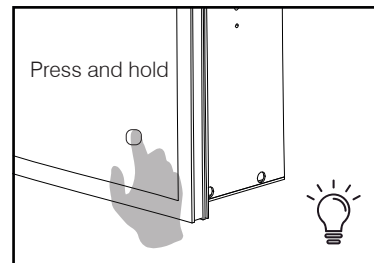


Warm White 2700K	Natural White 4000K	Daylight White 6000K
------------------------	---------------------------	----------------------------

Change LED intensity

1. When the product is ON
2. Press and hold the touch sensor to adjust its brightness.
3. Remove hand from touch sensor once desired intensity is reached.

Note: The brightness will be memorised.



Installation Procedure

Important: Before starting the installation process, make sure the electrical supply is switched off. It is recommended that the fuse is withdrawn or the circuit breaker is switched off for the necessary circuit.

Important: Before starting the installation process, ensure the wall construction is suitable and can support the weight of the cabinet.

Note: The wall plugs supplied are suitable for solid stone / brick walls. For any other wall material use specialist wall plugs.

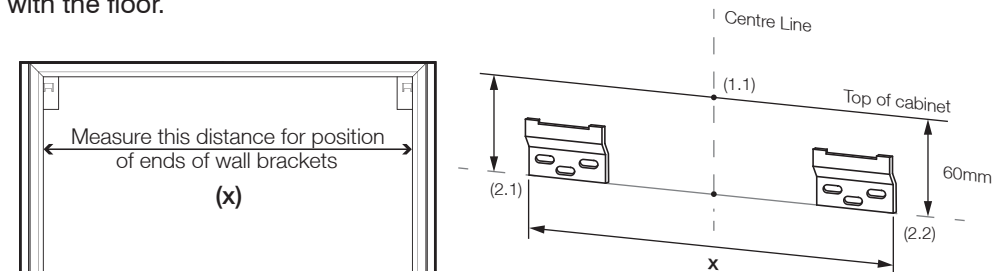
Important: Do not remove glass doors when installing the cabinet.

Step 1 - Installing the cabinet

1.1 – Using a pencil, mark on the wall where you wish the centre of the top surface of the cabinet to be (1.1).

1.2 – Measure 60mm vertically below this point and make a mark.

1.3 – Using a spirit level, draw a line of distance X centred on this point and parallel with the floor.

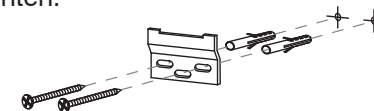


1.4 – Align the outer edge of the wall brackets with the ends of this line (2.1 & 2.2)

1.5 – Using the wall brackets as a guide, mark the hole positions.

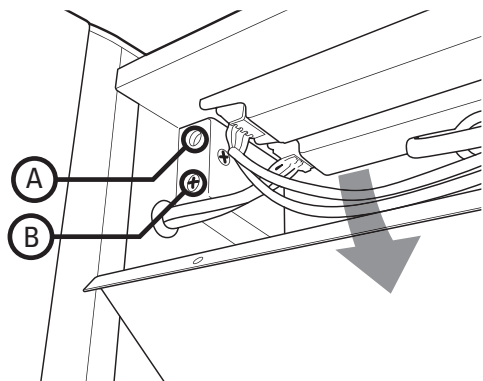
1.6 – Drill the marked holes and fit the wall plugs.

1.7 – Screw the wall brackets into place ensuring the screws are fully tightened but take care not to overtighten.



Installation Procedure

1.8 – Hang the cabinet on the wall brackets and check its level (finer adjustments can be made by opening the cabinet's top electrical compartment and turning screw A on each individual hanger until level).



1.9 – When the cabinet is level mark the hole on the lower section of the cabinet backboard (3.1). Take the cabinet off the wall.

1.10 – Drill and fit the wall plug into the lower section backboard hole just marked.

Step 2 - Connecting to power

Important: Before connecting the cabinet to the mains supply, make sure the electrical supply is switched off. It is recommended that the fuse is withdrawn or the circuit breaker is switched off for the necessary circuit.

2.1 - Connect to mains electrical supply. Connections should be made in accordance with the latest IEE regulations. This cabinet is manufactured to CLASS 1 and requires an earth connection.

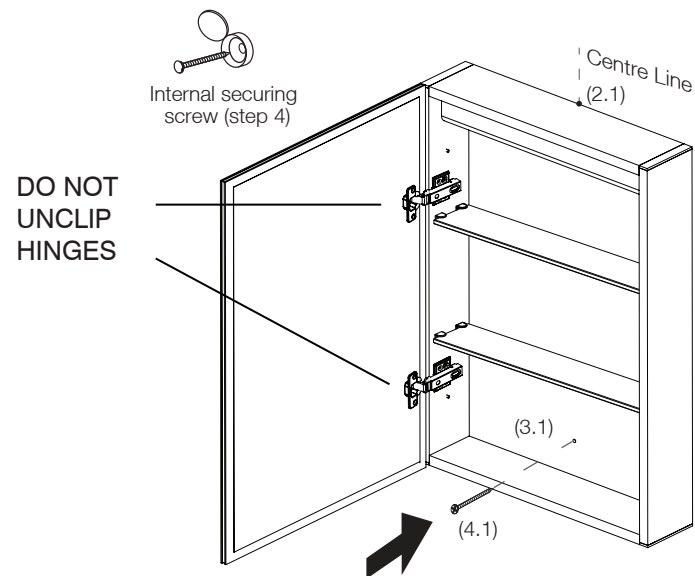
Step 3 - Finishing the installation

3.1 – Hang the cabinet on the wall brackets and tighten screw B within the electrical compartment. This will pull the cabinet closer to the wall.

3.2 – After all cabinet hanger adjustments are complete, close electrical compartment.

3.3 – Screw in the internal securing screw (4.1).

Installation Procedure



Step 4 - Turning the power on

Important: Before turning the power back on, make sure the cabinet is securely installed and all electrical connections are safe to turn on.

4.1 – If the fuse was removed, re-insert the fuse and switch power on. If circuit breaker was switched off, turn back on.

4.2 - Check the functionality of the cabinet, operating instructions can be found on page 6.

Step 5 - Door Alignment

5.1 – Adjust the cabinet doors using the adjustment screws on the hinges. As shown below.

