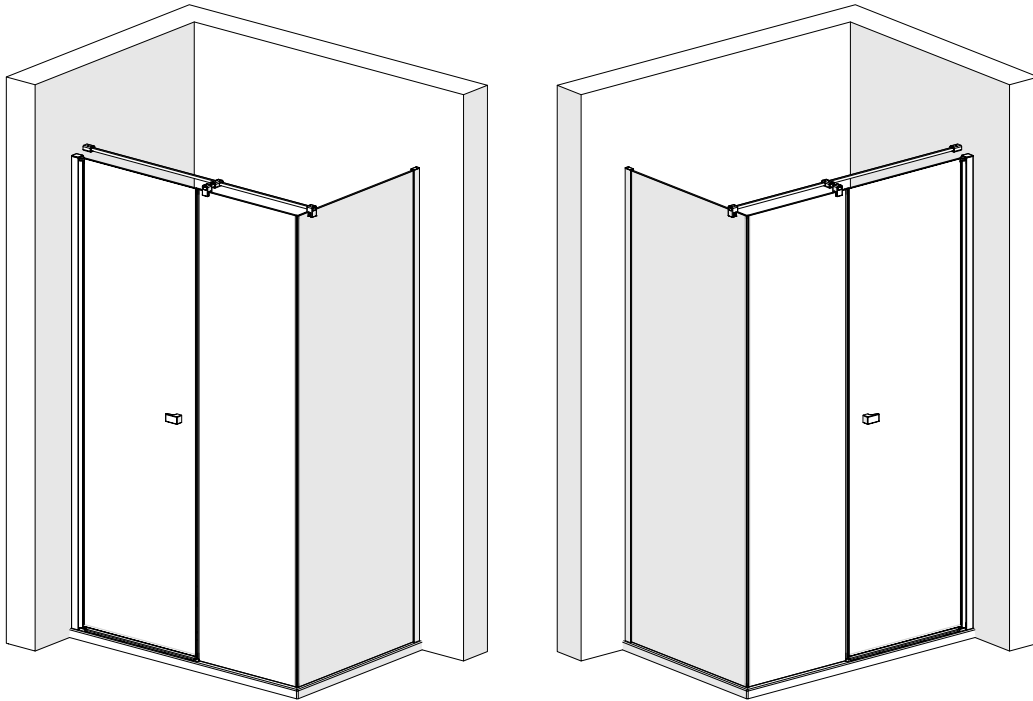

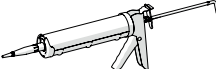

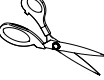
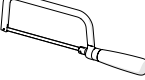

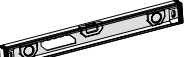




SNPDP & SNPCFP



x2

 Pozi-head Screwdriver	 Clear Silicone Sealant	 Drill (Battery or Mains)	 Scissors	 Hacksaw
 6mm Appropriate Drill Bit	 Spirit Level	 Tape Measure	 Pencil	

Please read these instructions throughout before installing as incorrect fitting will invalidate the guarantee.
If you are unsure about these instructions please contact your supplier.

Important

Check appearance of all product - any defects must be reported to your retailer before assembly/installation. Claims for imperfections will only be accepted prior to assembly/installation.

Any claims made under the terms of the Lifetime Guarantee must be reported to your retailer within 21 days of the fault occurring.

Check the enclosure adjustment sizes are suitable for your installation.

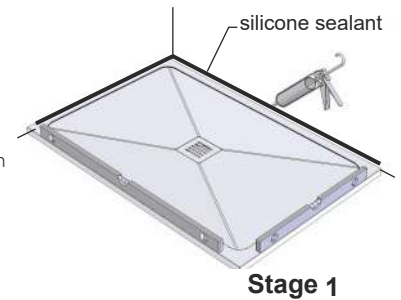
Use care when drilling into the walls to avoid hidden pipes or electric cables.

SHOWER TRAY

Ensure the top of shower tray is LEVEL in ALL directions.

Once the tray is installed but before the wall tiles are fitted, any gap between the tray and the walls must be filled with silicone sealant flush with the top of the tray.

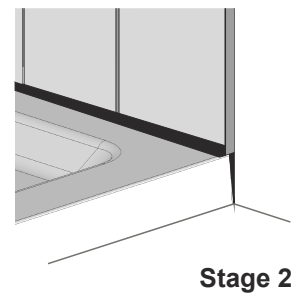
***Please note, enclosure is suitable for wetroom install also.**



WALLS

Once the walls have been tiled but before the enclosure is installed, the tiles must be silicone sealed to the tray all of the way around in one continuous bead.

Failure to follow these instructions will result in leakage problems.



CLEANING - GENERAL

For the wall post and fixings use only warm soapy water and damp cloth/ sponge on a regular basis. After cleaning please rinse with clean water to remove any residue.

DO NOT use abrasive scouring powders, chemicals or aerosol cleaners - these may result in damage to the surfaces, in particular, the plated component parts.

GLASS TREATMENT

The glass panels are pre-treated with a protective coating on the inside surfaces only. Whilst this makes cleaning the glass easier and helps prevent the build up of harmful lime-scale and soap deposits, the glass still needs to be maintained on a regular basis. We recommend the use of a detergent and aroma free glass cleaner (A 50/50 mix of white vinegar and water works well)

DO NOT use strong detergents, abrasive cleaners or abrasive scrubbing equipment for cleaning, these can damage the coating.

DO use a squeegee to remove remaining droplets of water from glass after showering, any build up of residue can be removed easily using an appropriate cleaner and agitation from soft cleaning equipment

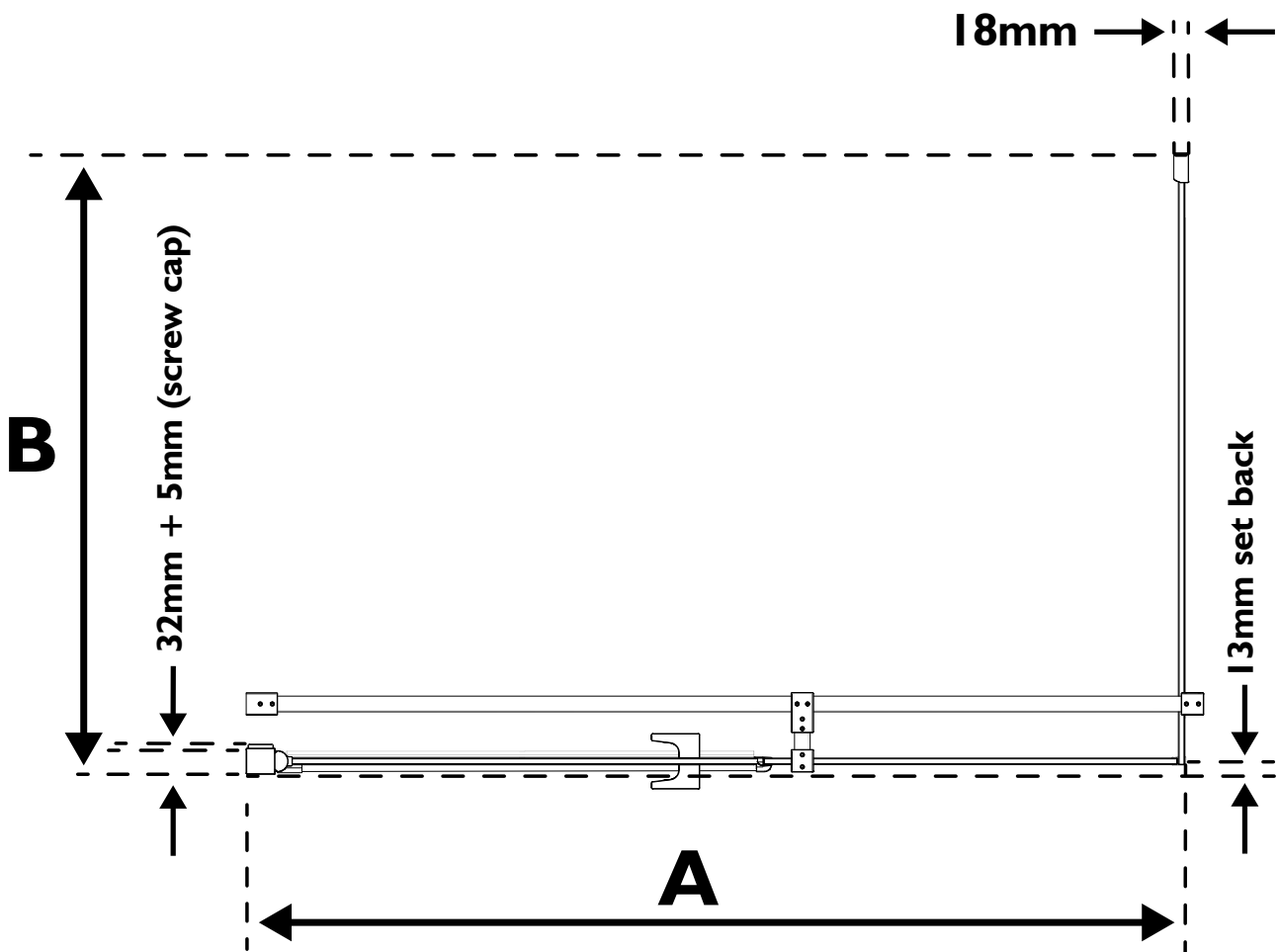
**THESE INSTRUCTIONS ARE TO BE LEFT
WITH THE CONSUMER**

PANEL SIZES AND ADJUSTMENTS

PRODUCT	PACK CODES		DIMENSIONS (mm)
PIVOT	CORNER IN-LINE PANEL PACK CHROME AND BLACK	DOOR PACK CHROME AND BLACK	A
800	SNPCFP80 (BK)	SNPDP (BK)	775 to 795
900	SNPCFP90 (BK)	SNPDP (BK)	875 to 895
1000	SNPCFP100 (BK)	SNPDP (BK)	975 to 995
1200	SNPCFP1200 (BK)	SNPDP (BK)	1175 to 1195

PRODUCT	PACK CODES	DIMENSIONS (mm)
SIDE PANEL	SIDE PANEL PACK	B
760	SNPC76	735 to 755
800	SNPC80	775 to 795
900	SNPC90	875 to 895

ENCLOSURE HEIGHT = 2000mm

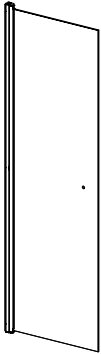
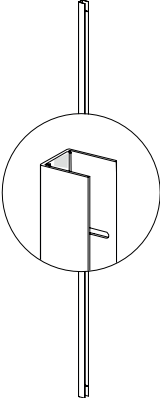


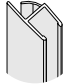


Left Hand Configuration Shown


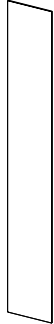
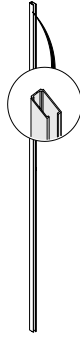



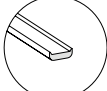

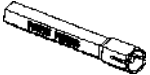
Important


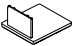
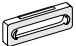




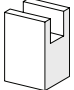
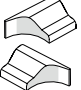
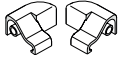



THIS INSTRUCTION IS TO INSTALL A CORNER OPTION ONLY. FOR A RECESS YOU WILL NEED TO PURCHASE A RECESS PACK.

PARTS LIST - DOOR PACK FOR RECESS

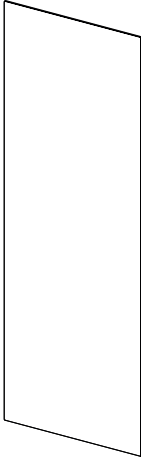
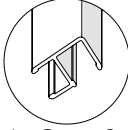
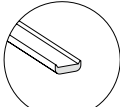
 1 x Door Assembly	 1 x Wall Post PD401-S-01	 1 x PD199 Threshold Strip
		 1 x PLEXRF052 Door Seal
		 1 x PLEXRF-051 Door Stop Seal

PARTS LIST - INLINE PACK FOR RECESS

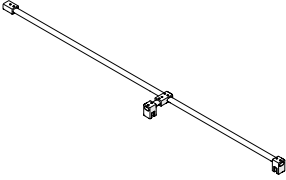


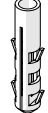
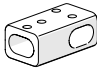
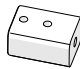

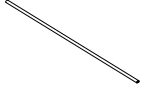
		
 1 x Fixed Panel	 1 x Wall Post 50322	 1 x Glazing seal 31107
		 3 x No 4.2 x 30 CSK
		 3 x 6mm Wall Plugs
 1 x Fixed Panel Trim	 1 x 81190 /91 Cover Cap (L, R)	 1 x Screw holder

	 1 x M503-01	 3 x M507-01 Wall Post Screw	 3 x M506-01 Wall Post Screw Cap	 1 x 934-HNDL-34	 1 x 4mm Allen Key	 3 x No.6x13 PH S/S
	 1 x BLOCK-SOM	 1 x M500-01/02 PD199 End Cap, Pivot (L,R)	 1 x M501-01/02 PD199 End Cap, Panel (L,R)	 5 x No.8x30 PH S/S	 5 x 6mm Wall Plugs	 1 x M193-01 Shim

PARTS LIST - SIDE PANEL

 <p>1 x Fixed Panel</p>	 <p>1 x Corner Seal PLEXRF-018</p>
	 <p>1 x Fixed Panel Trim WTR-0001</p>

PARTS LIST - STABILISER BAR FOR CORNER

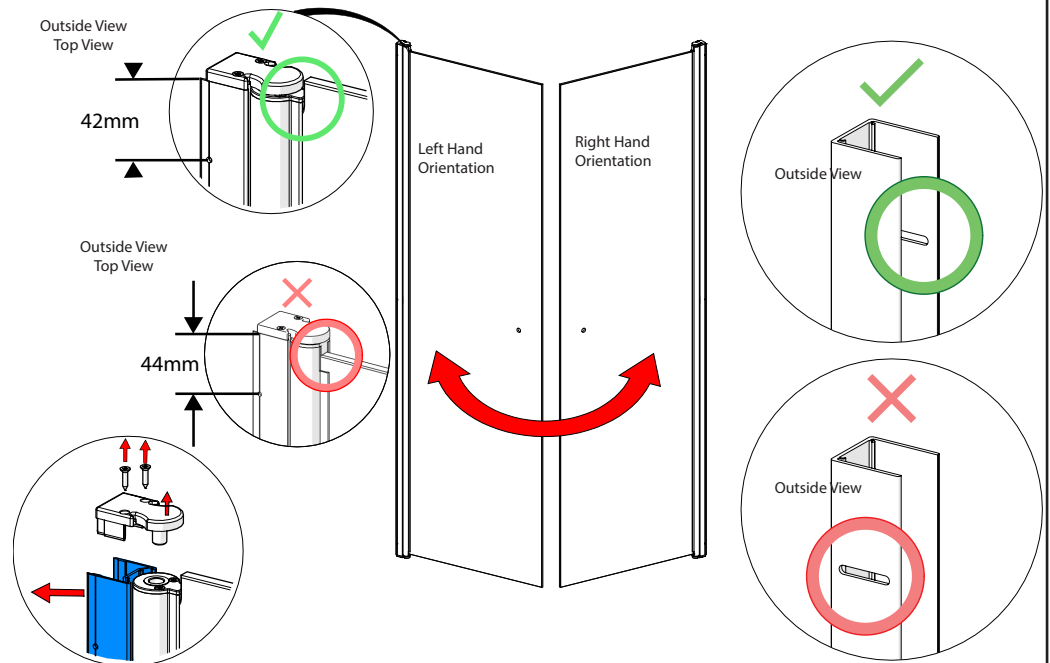
	 <p>1 x 3mm Allen Key</p>	 <p>1 x No 8 x 30 PAN SK</p>	 <p>1 x 6mm Wall Plug</p>
 <p>1 x Rail connector assembly DCM150-ASM</p>	 <p>1 x Wall Mount Assembly DCM151-ASM</p>	 <p>2 x Oval Glass Clamp Assembly DCM49ASM</p>	 <p>x2 PD170 , 1x 1200mm , 1x 69mm</p>

INSTALLATION STEPS

STEP 1. Decide Handing of Door

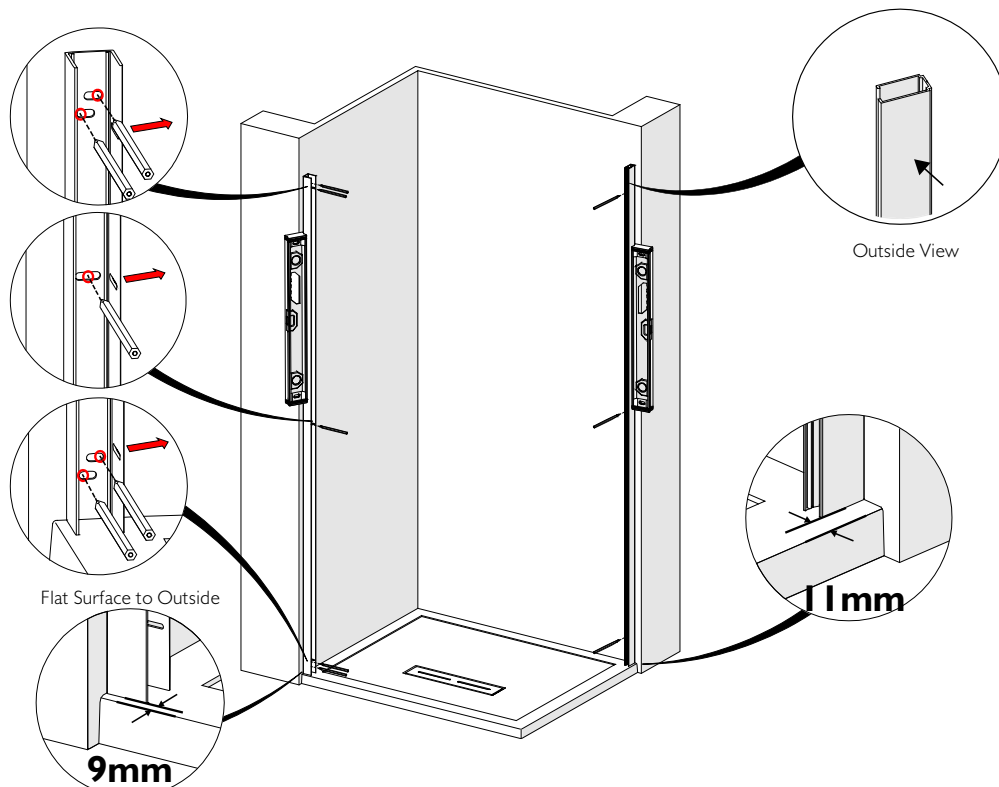
1. Determine whether door is to be left or right hand opening. You can determine which is the top end of the Door Assembly using the detail shown. To make left hand or right hand the Door assembly simple needs to be flipped to the side.
2. The wallpost needs to have the slots on the inside of the enclosure, as shown in detail. To make the wallpost left hand or right hand you simply need to flip the wallpost over, as shown.
3. Check the hole dimension distance at the top. **It MUST be 42mm**. If it's 44mm you'll need to remove the top cast via the two CSK screws. Then rotate the extrusion (highlighted blue) so the hole that is 42mm from the edge is at the top.

Detail shown for a left hand configuration.



STEP 2. Position and Mark Wallposts

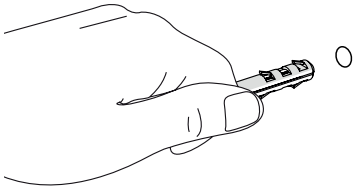
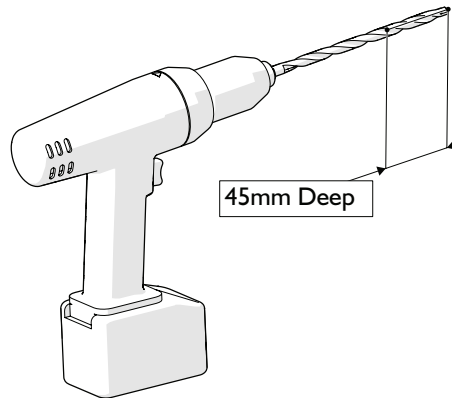
1. Position wallpost for door (with side slots to inside) 9mm in from front edge of tray, as shown below. Using spirit level to ensure wallpost is vertical, mark through the 5 slots onto the wall surface as shown and remove wallpost. Important to mark the holes as indicated in red below, to the ends of the slots.
2. Position side panel wallpost (with the longer width section of the wallpost positioned to the outside) 11 mm in from front edge of tray, as shown below. Using spirit level to ensure wallpost is vertical, mark through the 3 holes onto the wall surface and remove wallpost.



DRILLING AND FITTING

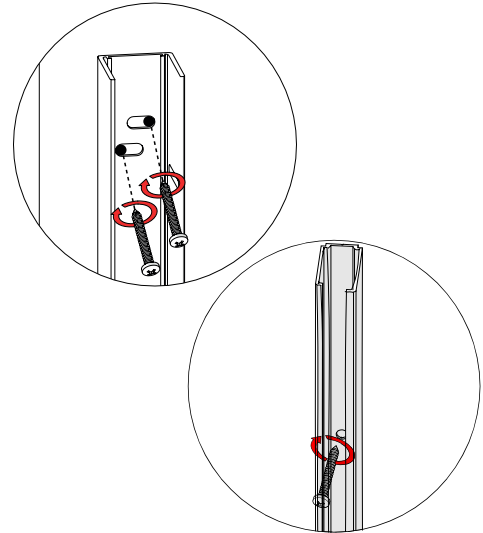
STEP 3. Drill Mounting Holes

1. Remove the wallposts. Placing safely off to one-side.
2. Using a 6mm masonry drill bit and drill (or appropriate drill bit if drilling tiles), drill five holes for the door wallpost and three holes for the inline panel wallpost using the 'spot' marks from step 2, each hole should be 45mm in depth.
3. Insert the eight '6mm Wall Plugs' into the six holes.



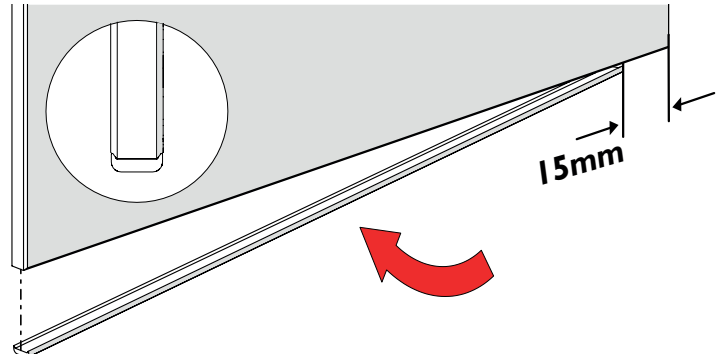
STEP 4. Fix Wallposts

1. Fix door wallpost using 5 x No.8x30 PH Screws provided. Fit side panel wallpost using 3 x 4.2x30 CSK screws provided. Tighten all screws using pozi-head screwdriver, ensuring the wallpost is vertical.



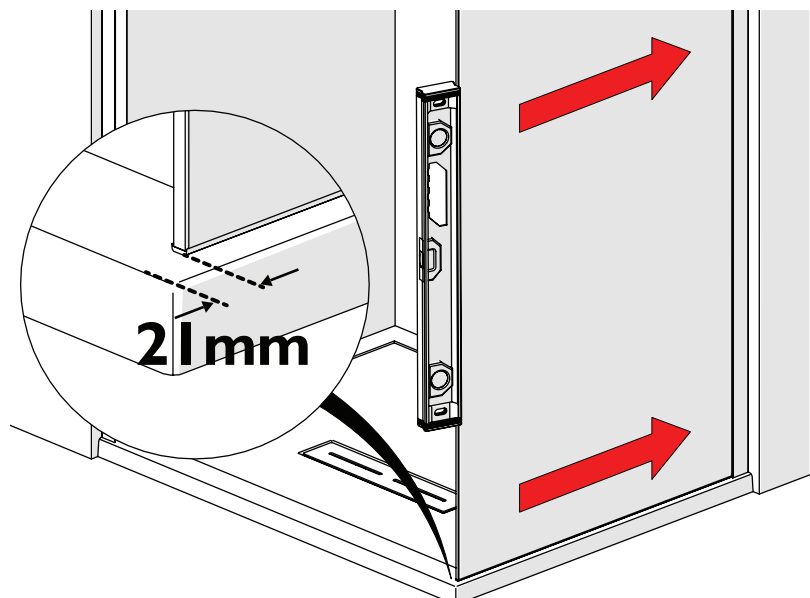
STEP 5. Fit Bottom Trim to Side Panel

1. Take note of label 'This surface to outside' this will determine which is the bottom edge of your installation.
 2. Acquire the WTR-0001 Trim from the Side Panel Pack. Peel off a small length of the bottom trim adhesive tape and apply to bottom of glass panel 15mm from the end that will be going into the wallpost, as shown. Continue along length of trim, peeling away the tape as you go, until the full trim length is adhered to the panel.
- Use small upturned edges on bottom trim against chamfered glass edges to ensure trim is fitted centrally.



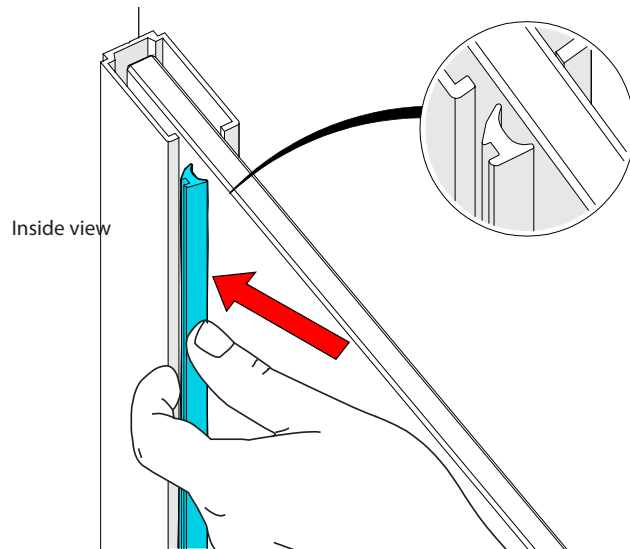
STEP 6. Fit Side Panel

1. Carefully fit glass side panel into slot in wallpost, ensuring panel is parallel to tray edge.
2. Position outer edge of side panel **21mm** back from the front edge of tray, as shown. **Ensure factory drawn lines on side panel glass do not extend beyond front face of wallpost.**
3. Ensure outer edge of side panels vertical, as shown, using spirit level.



STEP 7. Insert Glazing Seal

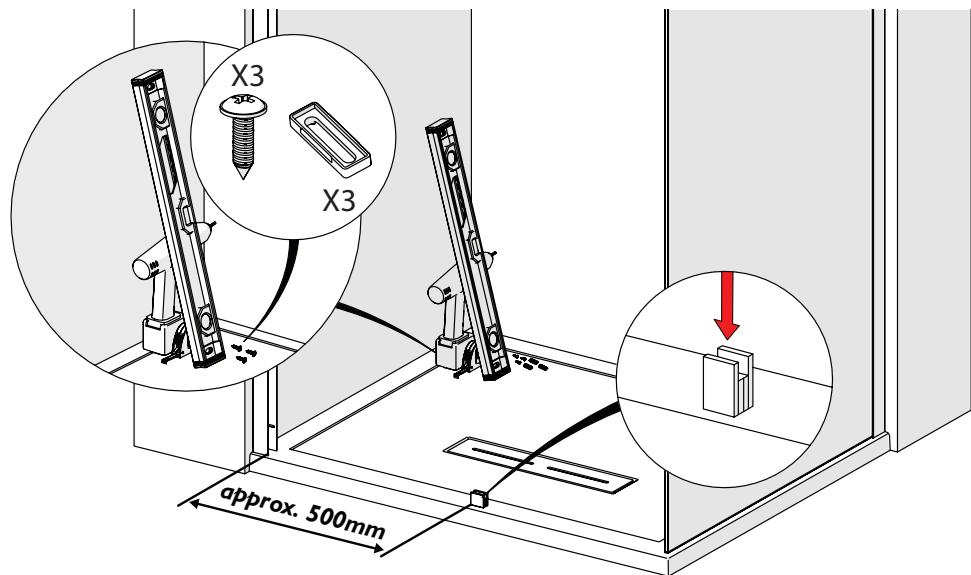
1.1. Take 'Glazing Seal (31107),' Insert the seal to the inside of the enclosure, between the side glass panel and lip of the metal on the post, Note seal orientation. Start at the top and work downward, until the seal is fully inserted all the way down the panel.



STEP 8. Preparation to Install Door Assembly

1. Place your drill, spirit level, tape measure, 3 x No.6x13 PH S/S Shallow and 3 x M507-01 (from the Door Installation Pack) inside the enclosure in the corner as shown. **Ensure the tray is adequately protected beforehand.**

2. Acquire 'BLOCK' (BLOCK-SOM) from the Door Installation Pack and place as shown roughly 500mm from the Door Wallpost.

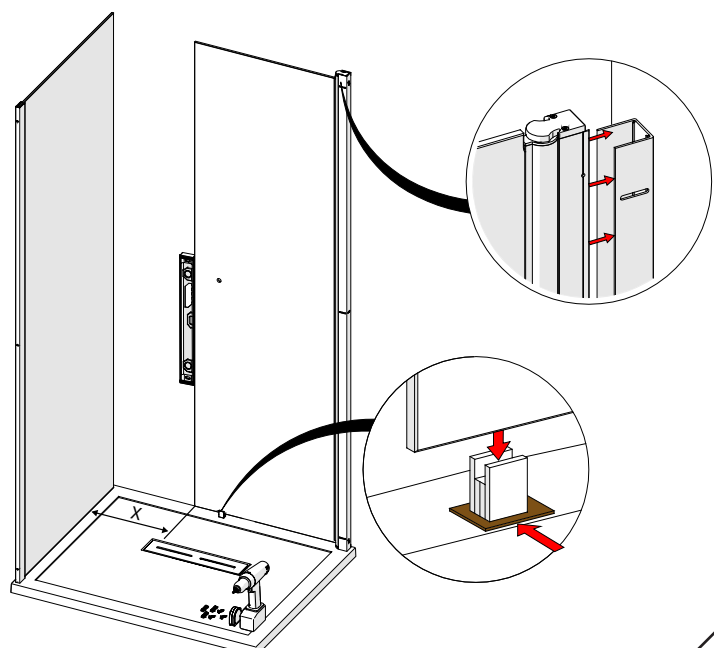


STEP 9. Position Door Assembly

1. Carefully fit Door Glass Assembly into wallpost. Slot the glass into the 'BLOCK' already positioned, as shown. This will take the weight of the door. **Use your level to make sure the door edge is 'plumb' vertical. If not 'plumb' vertical use additional packing (e.g cardboard) to raise the 'Packer', as shown.**

2. Position vertical edge of the Door Glass 'X' mm to the In-Line Panel wallpost, as shown - refer to table to the below.

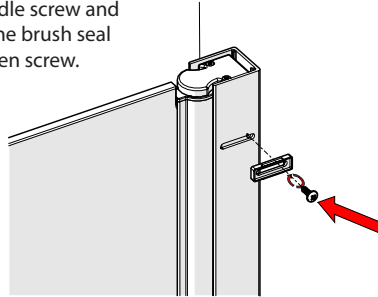
Door Size (nominal)	'X' Dimension
800	124
900	224
1000	324
1200	524



STEP 10. Fix Door Assembly

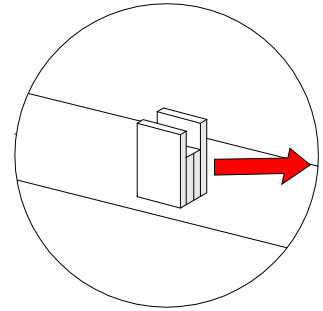
1. Take the three 'Wallpost Screw Mouldings' from the Door Installation Pack and place them into the slots on the Door Wallpost from the inside of the enclosure, as shown.
2. Fix the door Assembly in position using the 3 x No.6x13 PH S/S Shallow, as shown.

Note: if you find the brush seal isn't in contact with the pivot barrel simply loosen the middle screw and level outwards the inner profile until the brush seal makes contact with the barrel. Retighten screw.



STEP 11. Remove Door 'BLOCK'

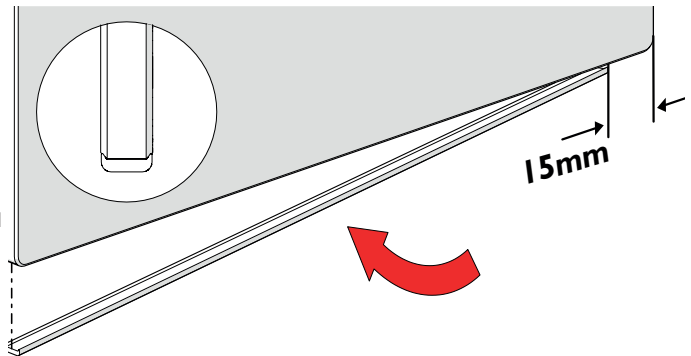
1. Remove 'Block' from under the Door Glass by sliding out, as shown below. Do NOT discard.



STEP 12. Fit Bottom Trim to Inline Panel

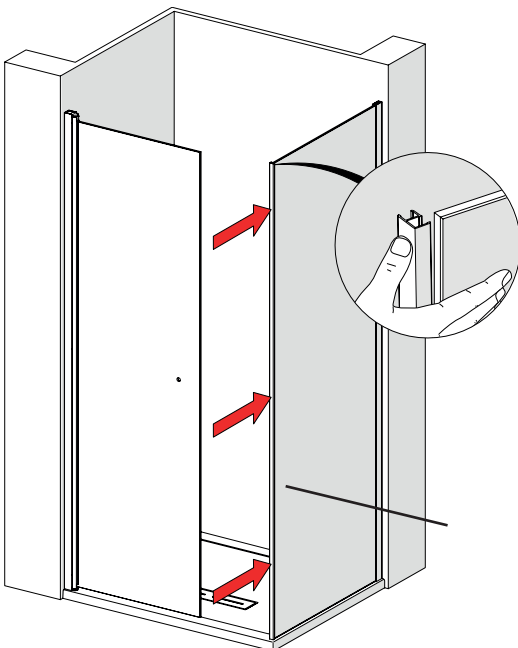
1. Take note of label 'This surface to outside' this will determine which is the bottom edge of your installation.
2. Clean glass edge, then make sure it's completely dry.
3. Acquire the WTR-0001 Trim. Peel off a small length of the bottom trim adhesive tape and apply to bottom of glass panel 15mm from the end that will be going into the wallpost, as shown. Make sure no 'dirt' gets on the adhesive strip. Continue along length of trim, peeling away the tape as you go, until the full trim length is adhered to the panel.

Use small upturned edges on bottom trim against chamfered glass edges to ensure trim is fitted centrally.



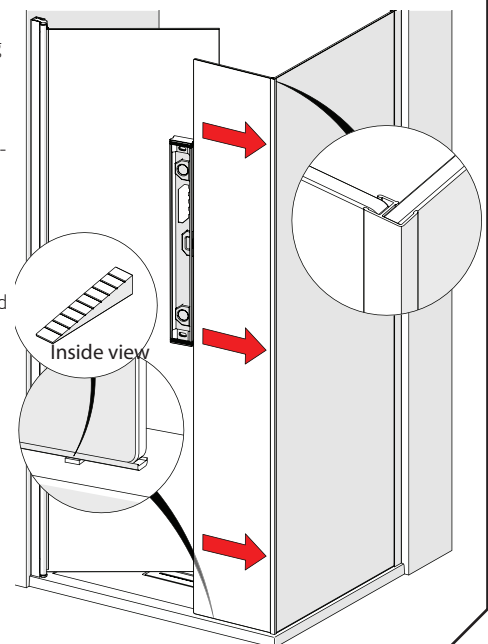
STEP 13. Fit Glass to Glass Corner Seal

1. Fit glass to glass corner seal (PLEXRF-018) to edge of side glass panel. Note orientation of seal. Make sure the seal is fully inserted from top to bottom, use your thumb to apply pressure, as shown.



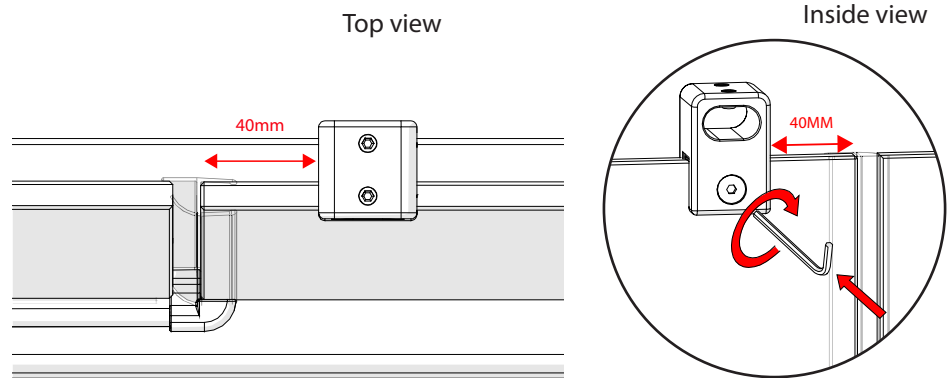
STEP 14. Fit Inline Panel

1. Carefully insert the In-line Panel into corner seal, ensuring panel is parallel to tray edge.
2. Ensure In-line Panel is square to first panel. Corner seal must be fully inserted onto both panels.
3. Ensure outer edge of side panel is vertical, as shown, using spirit level. Often shower trays have different angled top faces, in order to help keep the glass supported use the 'Shim (M193-01)' supplied. **On the inside** of the enclosure measure the gap between the bottom of the glass and top of the tray, select the height required from the shim strip supplied, break off and insert under rail. The shim will be concealed by silicone sealant later.



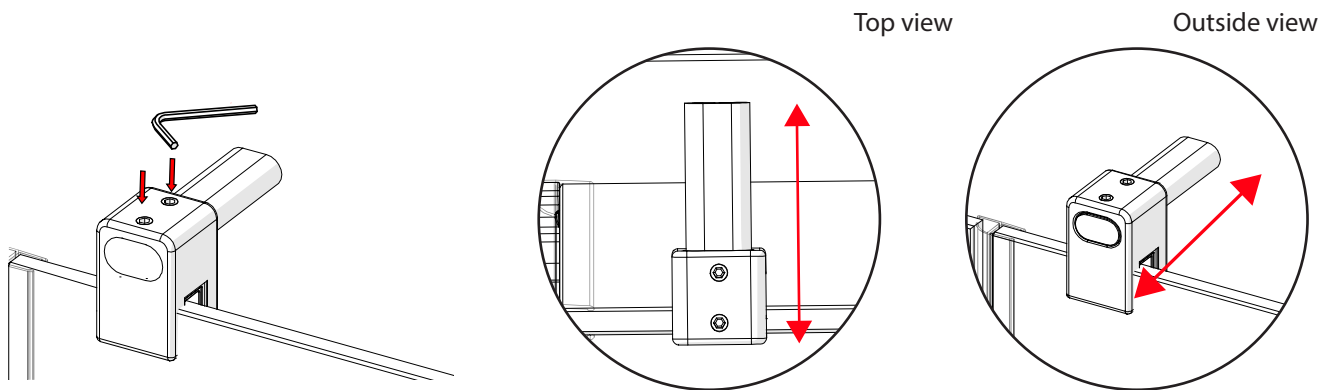
STEP 16. FITTING STABILISER BAR FOR CORNER

1. Position DCM49 glass clamp onto fixed panel 40mm in from glass edge. Secure position by tightening screw (from the inside) using allen key supplied as shown.



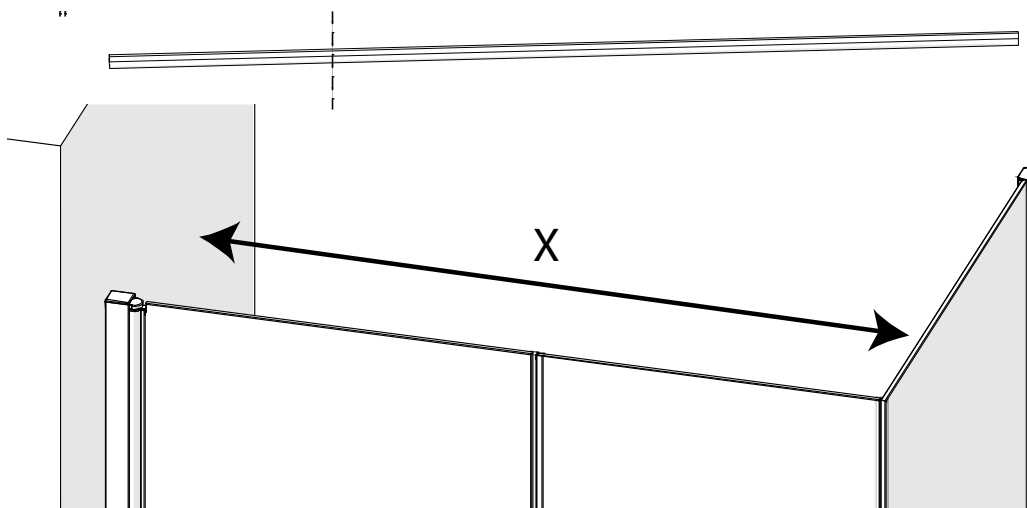
2. Slide smaller PDI70 tie bar into oval hole in DCM49 glass clamp.

3. Secure by tightening the two grub screws at the top of DCM49 using the supplied 3mm allen key. This ensures the correct height and distance is set for your next step.



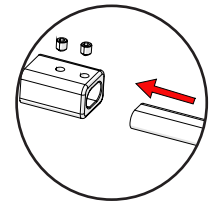
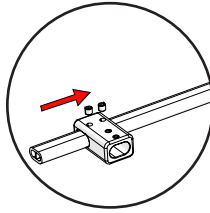
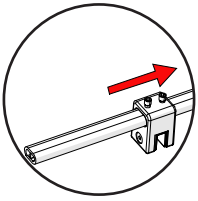
4. Measure distance from finished wall surface to outer edge of side panel, this gives you dimension "X".

5. Carefully trim the longer PDI70 to dimension "X" using a hacksaw. Ensure to trim the end that does not have a fitted end cap.

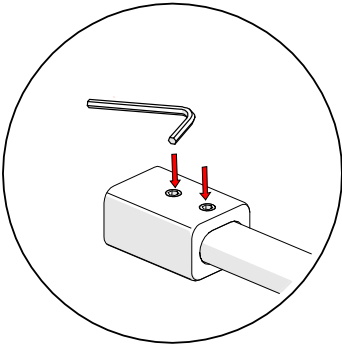


6. Now collect your cut to size PD170, the DCM50-ASM, rail connector, DCM49-ASM, glass clamp and DCM51 ASM , wall mount. Ensure that the grub screws are loose on all of these items and that they are facing upwards.

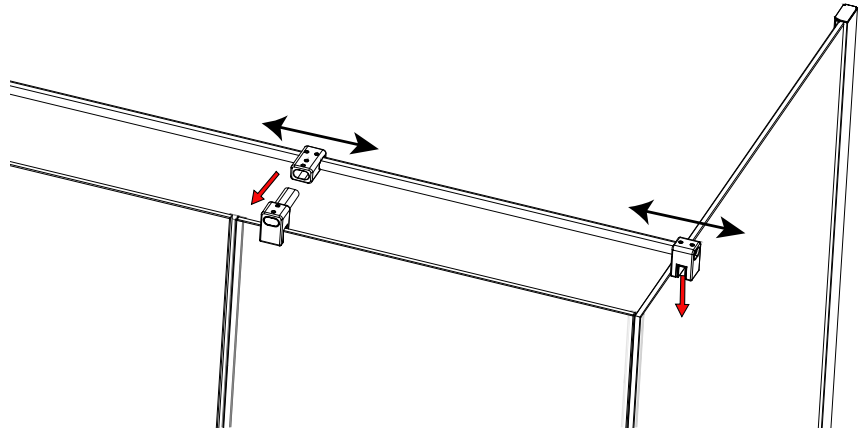
7. Slide the glass clamp over the PD170, followed by the rail connector and then slot the PD170 into the wall mount as shown below.



8. Tighten grub screws on wall mount using supplied allen key to secure. Leave the grub screws loose on the rail connector and glass clamp for now.

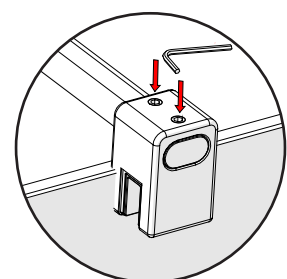
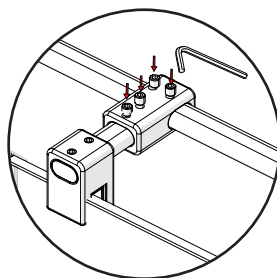
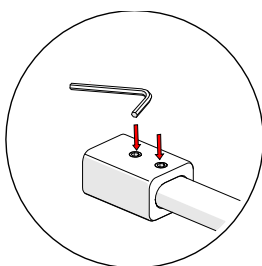
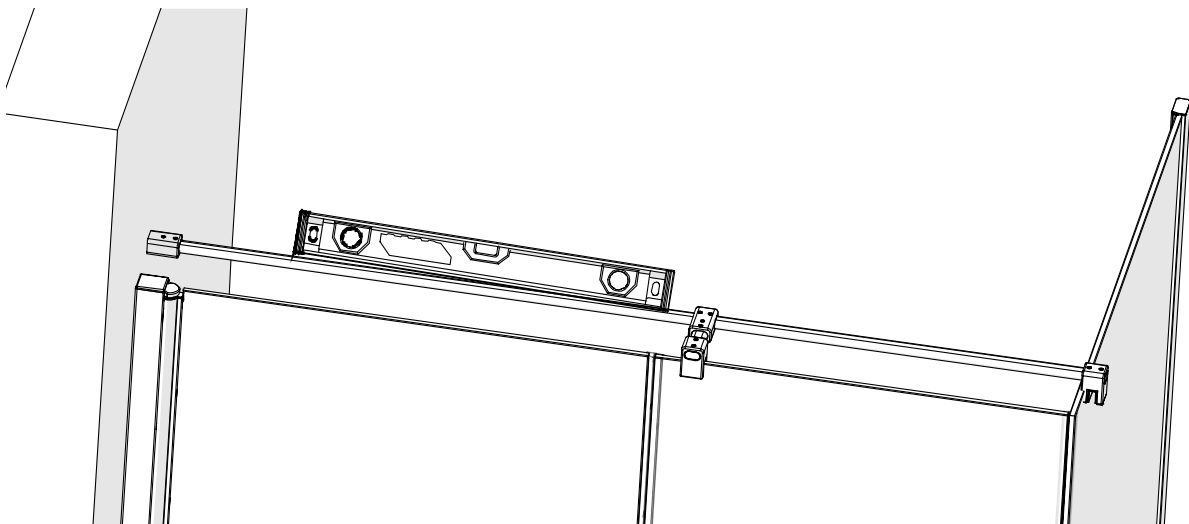


9. Now position so that the wall mount sits flush to the wall, with the the rail connector in a position to slot over smaller tie bar, and the glass clamp to sit on top of the side panel glass. With the grub screws loose, move both of these freely up and down the bar into position.

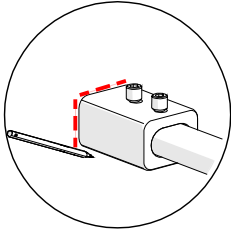


10. Using a spirit level ensure that the bar is horizontal and running parallel to the enclosure, with the wall mount sitting flush to the wall, along with the rail connector and glass clamp in position.

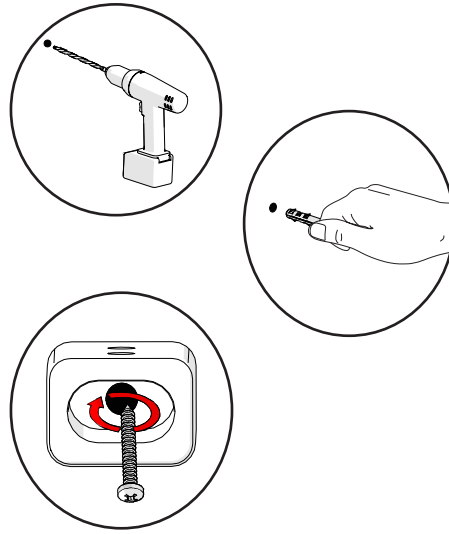
Secure in place by tightening glass screw on side panel and all grub screws with supplied allen key.



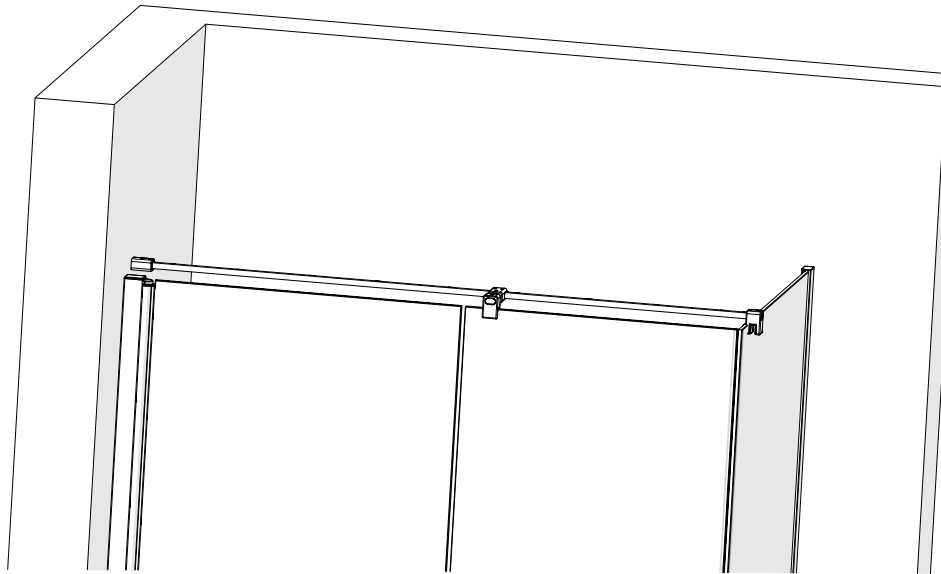
11. Using a pencil, mark the outline of the wall mount



12. Find centre hole position of the wall mount and drill 6mm hole using relevant drill bit . Fit supplied wall plug and fit wall mount to wall using supplied 8 x 30 PAN screw. Ensure that the grub screws face upwards.



13. Repeat section 6-7 and re-assemble bar. Tighten glass screw on side panel and all grub screws with supplied allen key.

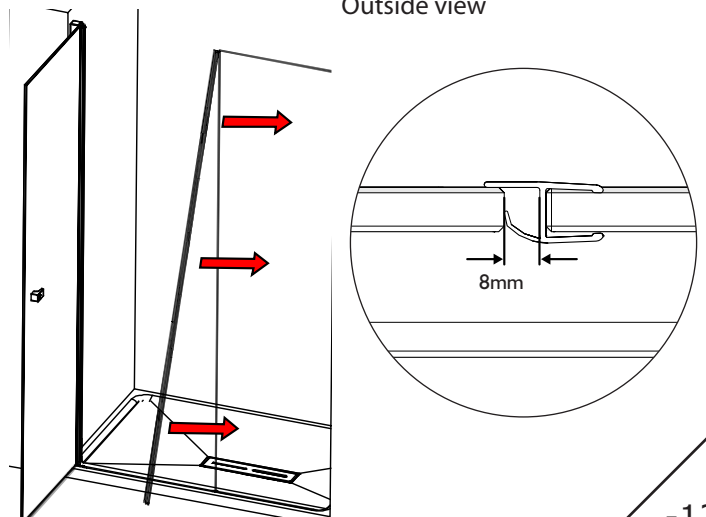


STEP 17. Fit Door Stop Seal

1. Take door stop seal (PLEXRF-051) and fit it to the edge of the fixed inline panel.

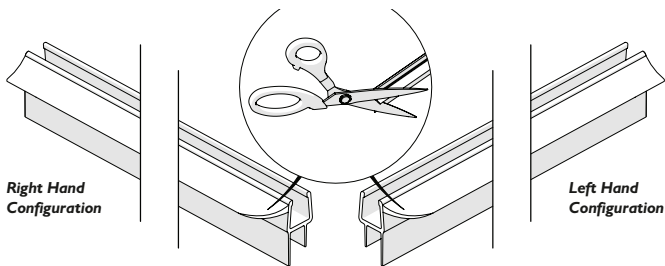
Note orientation of seal as shown.

Ensure the door is positioned outside of the enclosure. Make sure the seal is fully inserted from top to bottom, use your thumb to apply pressure. It is important that the door and the inline panel seal run parallel to each other as this ensures a water tight seal.



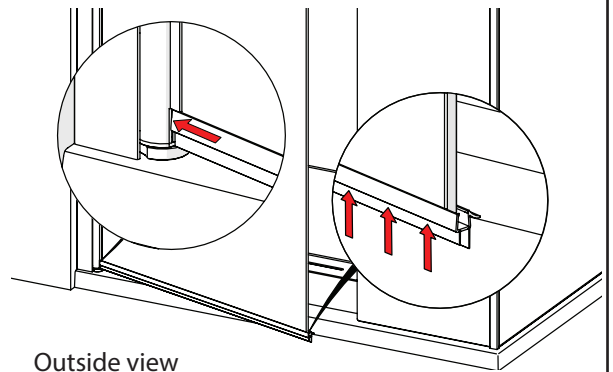
STEP 18. Prepare Door Seal PLEXRF-052

1. Acquire PLEXRF-052 from the Door Pack. Cut the corners of the rigid flipper at 45 degree angle, as shown below. Using adequate scissors. **Make sure there are no sharp corners. Cut a smooth curve.**



STEP 19. Add Door Seal PLEXRF-052

1. Add the prepared Door Seal PLEXRF-052 to the bottom edge of the Door. Orientation as shown, with the water ramp on the inside of the enclosure. Make sure the seal runs right up to the Pivot Barrel. The seal will overhang the end of the door glass, as shown.



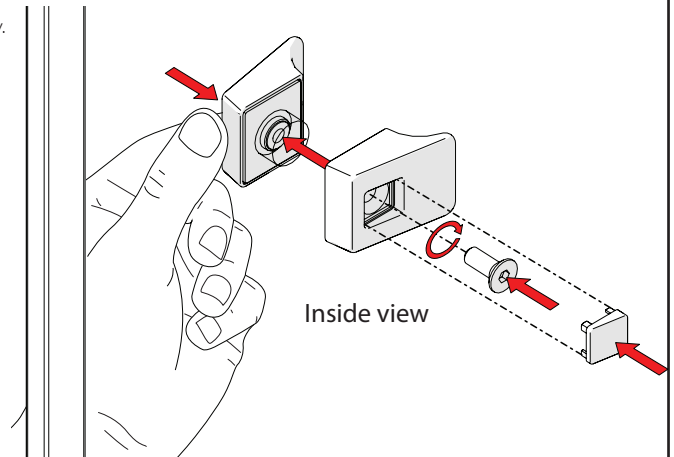
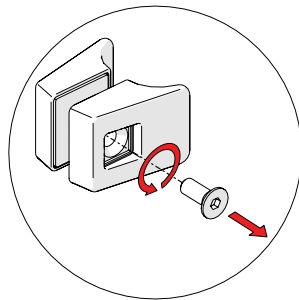
STEP 20. Fit Handle

1. Acquire the Handle (934-HNDL-34) out of the Door Installation Pack. Separate the handle halves by removing the screw, using 4mm allen key provided.

Add the handle to the door glass using the screw previously removed, as shown below.

Make sure screw is facing the inside of the enclosure.

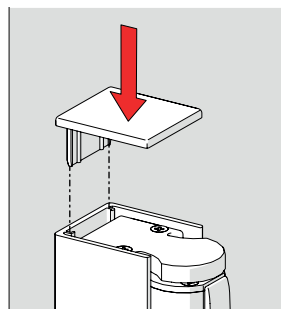
Once the handle is secure add the screw cover cap found with handle assembly.



STEP 21. Insert Wallpost End Caps

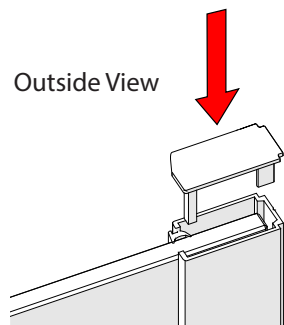
1. Add the End Caps, M503-01 to the door post.

Outside View



2. Choose applicable wallpost cover cap (81190 / 91) L or R depending on your chosen install for the side panel wallpost.

Outside View



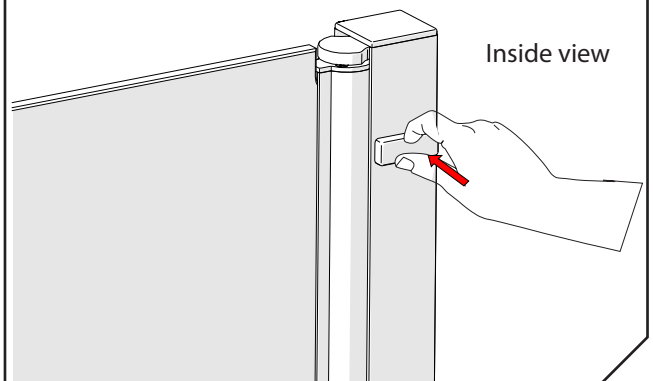
3. Position cover cap above wallpost so that the longer edge of the cover cap matches up to the longer edge of the wallpost and press down to secure.

STEP 22. Insert Screw Mouldings

1. Take the three 'Wall Post Screw Caps' from the Door Installation Pack and place over the 'Wallpost Screw Mouldings' previously fitted in step 10. The 'Wallpost Screw Caps' can be easily removed if you ever need to make an adjustment of the Door position.

The screw caps maybe fitted after step 24 to make silicone process easier.

Inside view

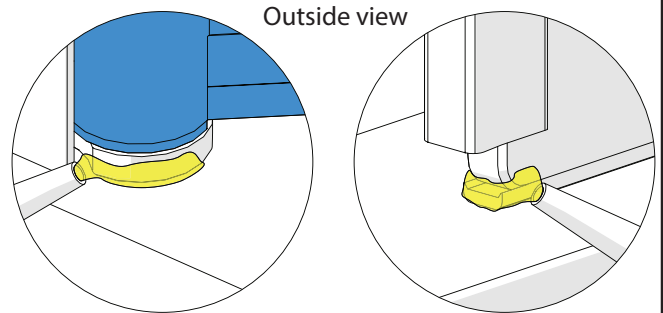


APPLYING SILICONE

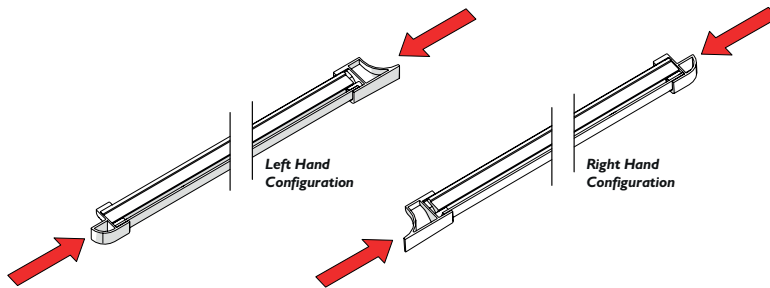
STEP 23. Silicone and Apply Water Threshold Strip

Before carrying out these last steps make sure you are happy with the door function. Won't be able to adjust after silicone is applied.

1. Apply a small bead of silicone to the Fixed Panel bottom edge and the Pivot Base Cast, as shown and highlighted yellow below. This is where the threshold strip end caps are going to fit. Make sure silicone doesn't come into contact with the Pivot Door Barrel, highlighted blue below.

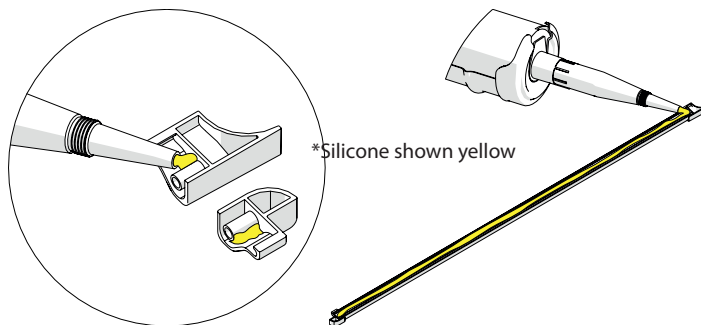


2. Configure the Threshold Strip (PD199) in either the Left or Right Configuration depending on the handing of your door.

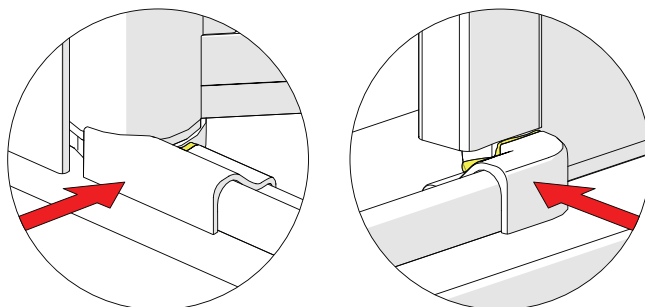


3. Silicone the end caps being used. Silicone a 'pea' sized amount, as shown.

4. Insert the end caps to the Threshold Extrusion ends and silicone the underside of the threshold strip, as shown. Use a thin small amount of silicone.



5. Carefully add the siliconed strip into position, as shown. Make sure the end caps touch up to the inline panel and the Door Pivot Barrel.



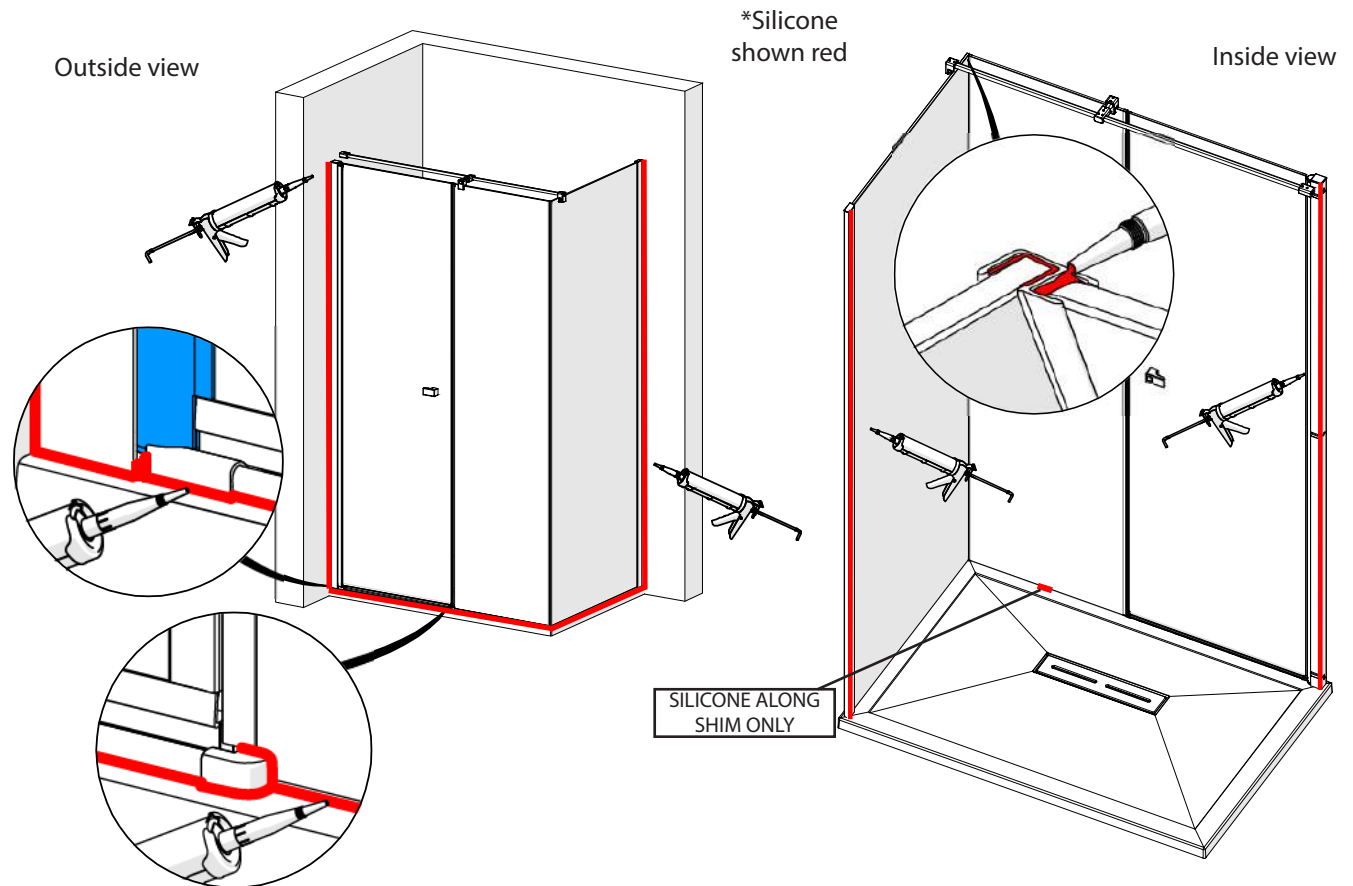
STEP 24. Silicone

1. On the outside, silicone around all three junctions with the wall and tray, and also on the wallposts where the sill meets the uprights. On the inside, only silicone along the two vertical junctions with the wall. **Do not silicone seal on the inside of unit (except where shown)**. Sealing the wall posts to the tray on the inside can result in leakage problems - please note that, in use, water can penetrate into the extrusions - this has no detrimental effect to the product- however, this water must be allowed to drain out of the extrusions to the inside.

Make sure silicone doesn't come into contact with the Pivot Door Barrel, highlighted blue below. As this is the mechanism by which the door pivots. Silicone the water threshold and end caps, as shown.

2. Apply a small bead of sealant to top of corner seal to prevent ingress of dirt between seal and glass panels, as shown.

When installed correctly, Kudos guarantee the enclosure will not leak under normal showering use, ie. when the shower head is in it's normal showering position. N.B. - Using the shower head to clean/rinse down the enclosure does not constitute normal showering use.



STEP 25. Wait 24hr

1. Allow 24 hours before using the shower.

