

# Pivot Door

## ASSEMBLY GUIDE

### IMPORTANT

- 1.. The cubicle can be constructed either way up, for left or right hand opening.
- 2.. These instructions and list of parts assume that installation is done against solid or tiled walls. Hollow or "Stud - partition" walls will require alternative fixings. Please consult a hardware supplier for the correct type. It may also be necessary to consult your tiling supplier about the correct method for drilling your tiles.
- 3.. Please check this product for damage prior to starting the installation. No claims can be made after the products have been fitted, or after fitting has commenced.
- 4.. This is a 2 person installation.
- 5.. Please note the minimum and maximum adjustment for this product are based on perfectly plumb walls.

### Tools Required *Please note hand tools NOT supplied.*



Drill



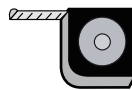
7mm Masonry Drill  
3.2mm HSS Drill



Spirit Level



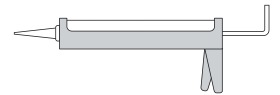
Pencil



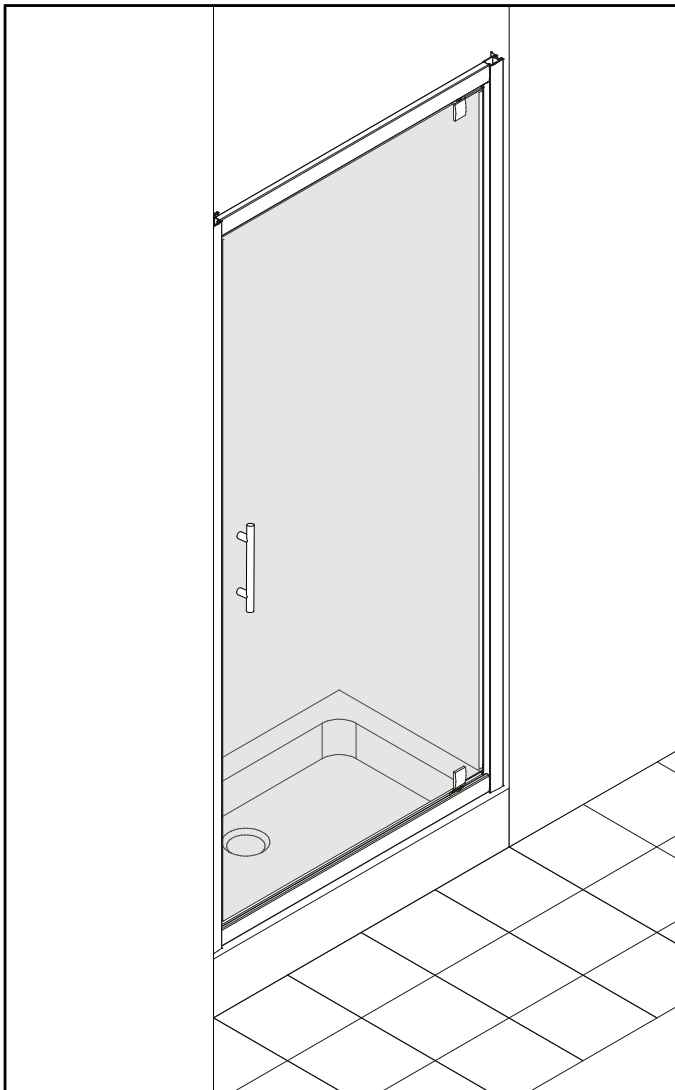
Tape Measure



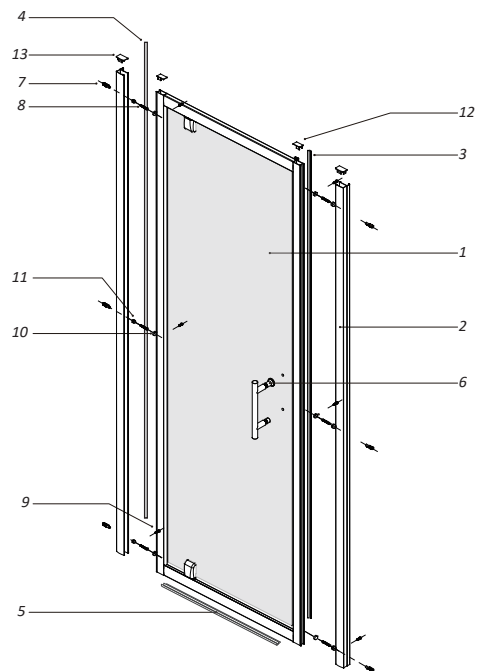
PH2 TYPE  
Screwdriver



Sealant Gun

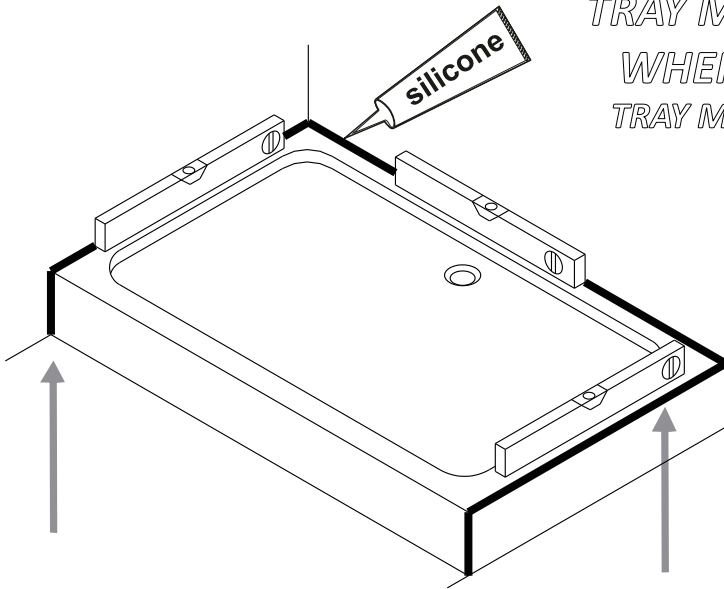


### EXPLODED VIEW AND PARTS LIST



1.. Door panel		x 1
2.. Wall channel	LR8654-S1S	x 2
3.. Magnetic strip	308GD-6	x 1
4.. Vertical seal	309B-6	x 1
5.. Bottom seal	304LB-6	x 1
6.. Handle	S1HW24	x 1
7.. Wall plug	SBLTL001	x 6
8.. Wall profile fixing screw ST4x30	SBLTL013	x 6
9.. Vertical frame fixing screw ST3.5x12	SBLTL003	x 6
10.. Screw cover cup	S1PS07	x 12
11.. Screw cover cap	S1PS08	x 12
12.. Upright profile cap	S1PS05	x 2
13.. Wall channel cap	S1PS04L/R	x 2

*TRAY MUST BE SEALED FULLY AROUND  
WHERE THE TRAY MEETS THE WALL  
TRAY MUST BE 100% LEVEL IN ALL DIRECTIONS*



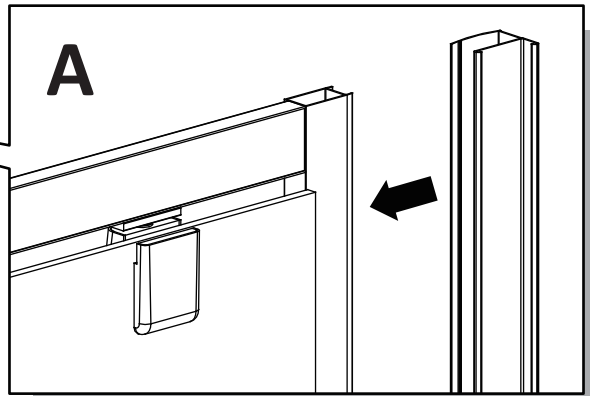
**TRAY MUST BE 100% LEVEL IN ALL DIRECTIONS  
TRAY MUST BE SEALED FULLY AROUND WHERE  
THE TRAY MEETS THE WALL**

*Ensure the shower tray is level in all directions and is properly sealed to the wall. The wall must be tiled down to the top edge of the tray. Do not angle out bottom tile.*



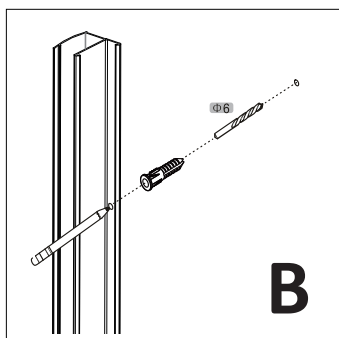
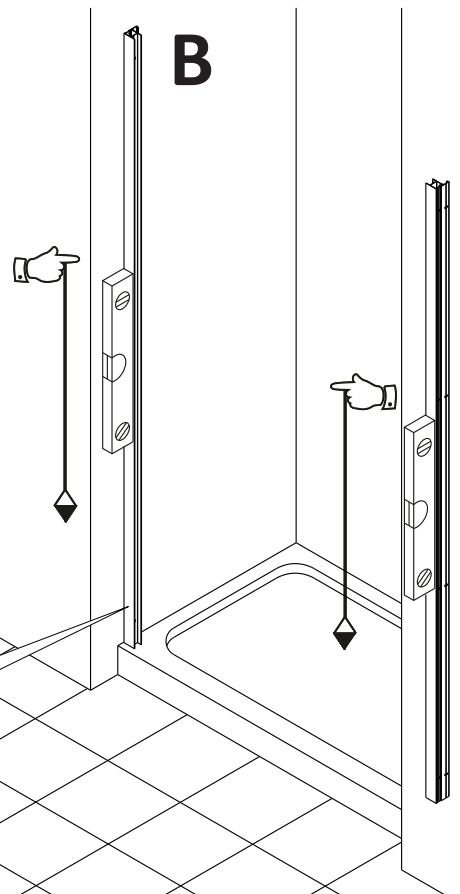
### **Step A**

*Position the assembled door panel (with wall profile fully pushed into frame) onto the tray and decide on the step in from the edge of the tray to wall profiles. The wall profiles can be adjusted until the door is positioned correctly on the tray.*

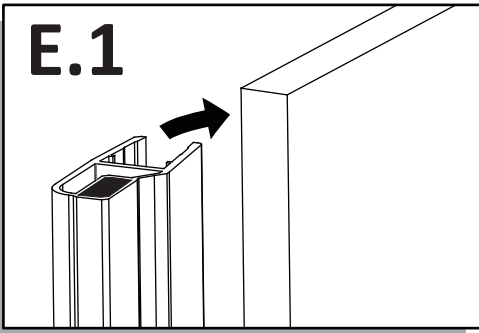
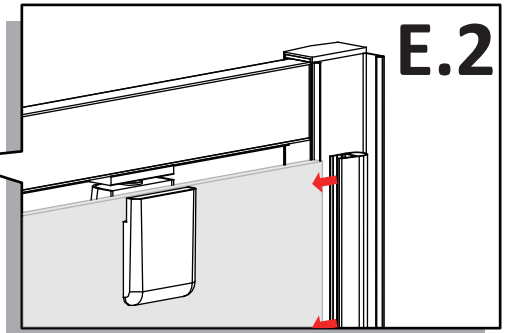
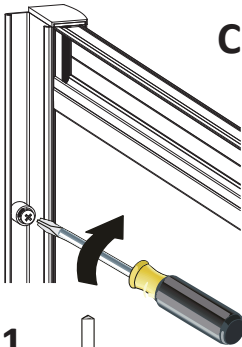
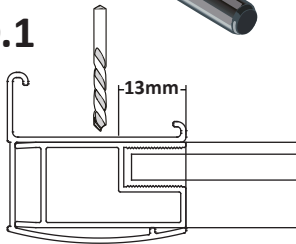
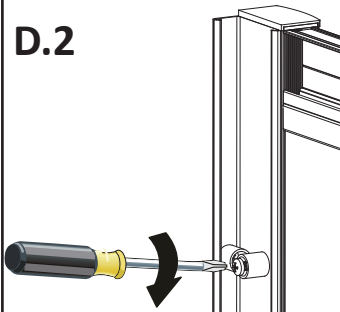
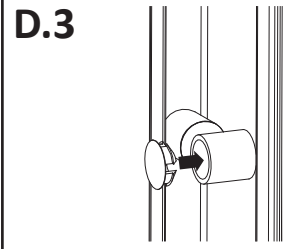
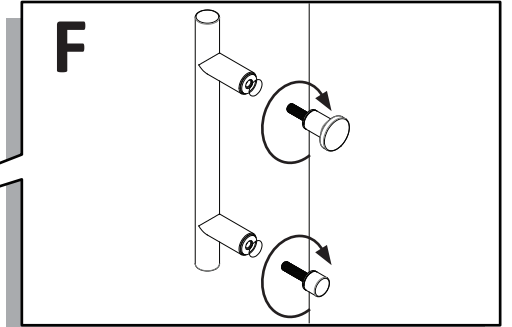


### **Step B**

*Position the wall profiles back on the tray ensuring the wall profiles are plumb, mark the position of the holes in the wall. Do this by marking the wall with a pencil through the pre-drilled holes in the wall profiles. Drill with 6mm masonry drill bit and insert wall plug S1PS12. Slot wall profiles into the door frame, then lift door onto the tray.*



**B**

**E.1****E.2****C****D.1****D.2****D.3****F****Step C**

Fix the wall channel with screw cover cup **S1PS08** and screw **S1SW02** to wall. The door should open and close freely. If it does not you need to tilt the door to ensure a un-obstructed operation. When the door is positioned correctly, continue to Step D.

**Step D**

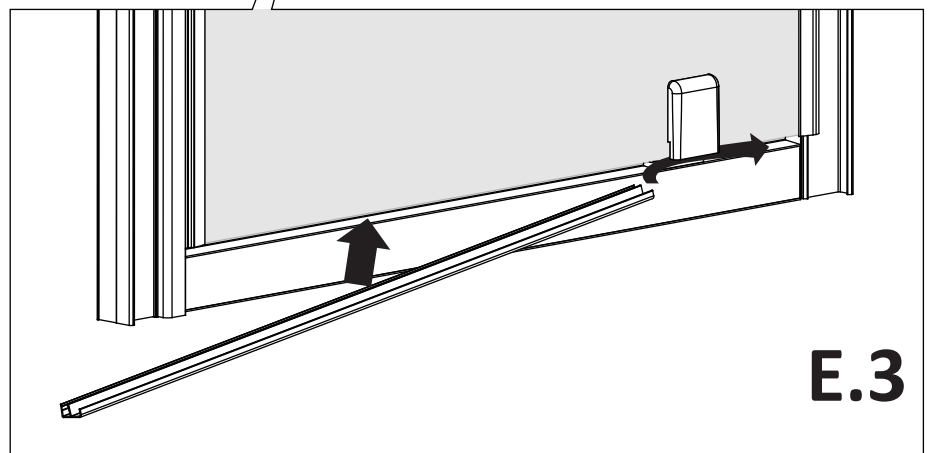
Drill 3 equally spaced holes with 3mm drill bit through the wall channel and frame. Fix the frame to the wall channel with screw cover cup **S1PS07** and screw **SBLTL003**. Then put the screw cover cap **S1PS08** on.

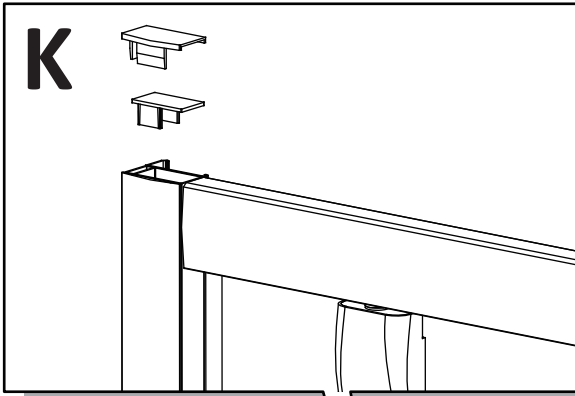
**Step E**

Attach the magnetic strip **308GD-6** to the front of the moving panel. Adjust the magnetic strip to ensure there is no gaps when the door is closed. Attach the vertical seal **309B-6** to the hinge end of moving panel. Insert the bottom seal **304LB-6** to the bottom of the door panel as figure **E.3** shown.

**Step F**

Assemble the handle **S1WH24** onto moving panel.

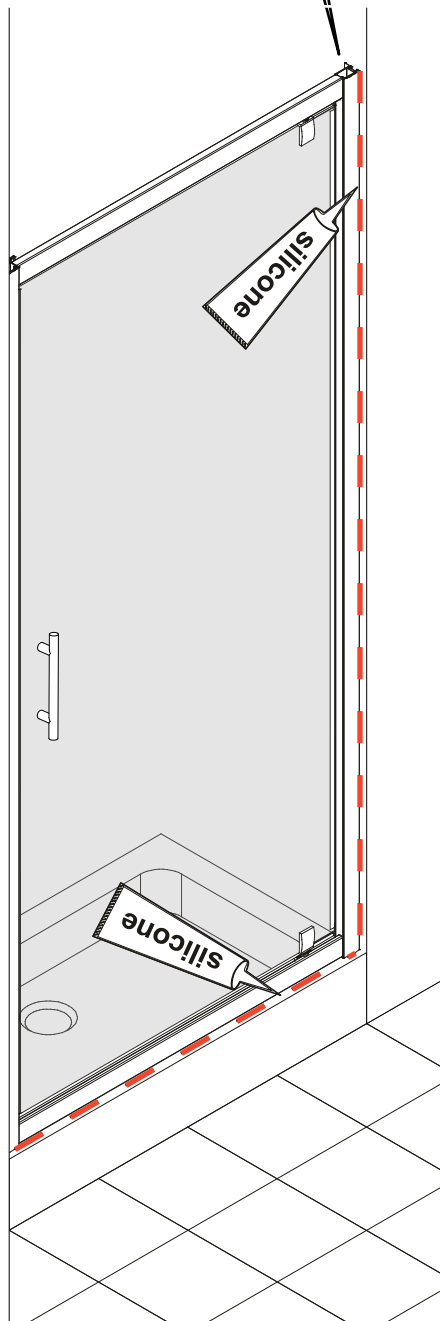
**E.3**



**24 HRS**



**DO NOT USE THE ENCLOSURE FOR 24 HOURS AFTER SEALING**



## Step G

*Put the upright profile cap S1PS06 and wall channel cap S1PS04L/R on.*

## Step H

### *Applying Silicone Sealant*

**When applying silicone sealant follow the red line shown in the diagram on the outside only.**

**IMPORTANT:** *Do not apply sealant on inside of the tray where the door meets the tray horizontally.*

### *Sealing Outside*

*Seal horizontally between the tray and the bottom profile. Also seal vertically around 30mm between the wall channel and wall and also between the wall channel and the vertical profile.*