

QD SHXDIVFF C

QUADRATO Shower Range Quadrato Exposed Fixed Head Bar Shower with Diverter & Kit



Features:

- All in one box - pack includes bar shower valve, hose, telescopic rigid riser rail and rub-clean anti-limescale drench head and multi function handset so nothing to buy separately
- Supplied with a fast fit Wallmount 12 fixing kit with built-in front of wall isolation valves on both the hot and cold feed, making it simple to fit, maintain and replace.
- Telescopic riser so you can adjust the height to suit your space. Giving you the flexibility to fit in a wet room/walk in shower or over a bath.

Product Certifications:



WRAS Cert. Number: 2207905
WRAS Expiry Date: 31/07/2027



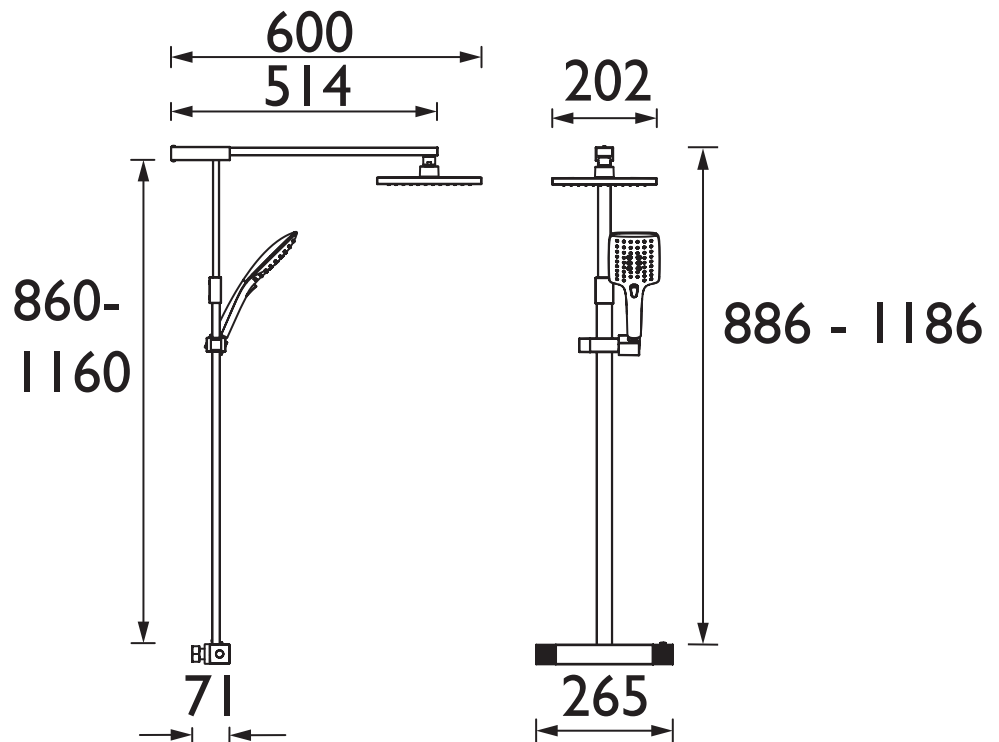
For more products, visit our website:
<http://www.bristan.com>



Specification

Product Type:	Mixer Shower
Main Construction Material:	Brass
Connection Inlet:	15mm Compression
Connection Outlet:	G ½"
Number of Controls:	2
Flow Control Valve Type:	Thermostatic Cartridge
Plumbing System:	Suitable for all plumbing systems
Minimum Dynamic Pressure: (bar)	0.5
Maximum Dynamic Pressure: (bar)	5.0
Maximum Static Pressure: (bar)	10
Maximum Hot Water Temperature: (°C)	80
Pre-set Outlet Temperature: (°C)	38
Isolation Included:	No
Check Valve Supplied:	No
Shower Kit:	Telescopic rigid riser with fixed head

Dimensions (measurements in mm)



Flow Rates (l/min)

System Pressure (bar)	0.5	1	2	3	5
Through Handset (mixed)	3.9	5.5	7.8	9.6	12.4
Through Fixed Head (mixed)	4.0	4.4	6.3	8.9	12.6

TECHNICAL DATA SHEET



BRISTAN

D17