

Accessories

Resort Chrome Toilet Paper Holder

RAK
CERAMICS

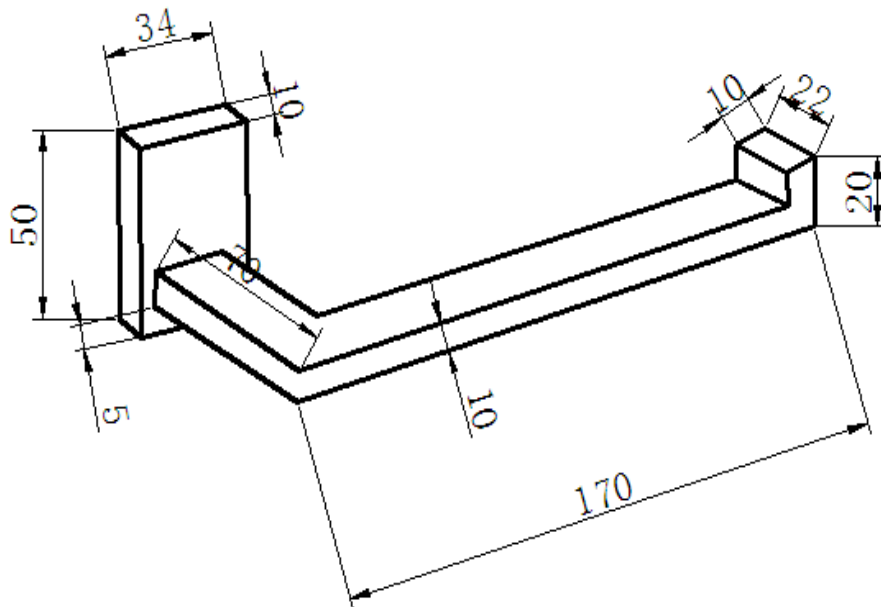
SPECIFICATION/CODE REFERENCE

Please use the reference codes shown below:

RAKC17151



SIZE	170 x 80 mm
MATERIAL	Brass, Chrome Plating
WEIGHT	0.29 kg
FIXING	Supplied with back plate for concealed fittings
THICKNESS	Chrome 0.3 UM, Nickel
WARRANTY	Two Years



Dimensions: All measurements are in millimeters and are subject to normal manufacturing variations.

Note: Due to a continuing development programme to improve design and performance, the manufacturer reserves all rights to vary specifications without prior informations. Please note accessories are for photographic use only.

Tel: 01730 237850 Fax: 01730 263210. RAK Ceramics, Bradford House, Frenchmans Road, Petersfield, Hampshire GU32 3AW

Contact us at: info.uk@rakceramics.com / Visit us at: www.rakceramics.com 2017