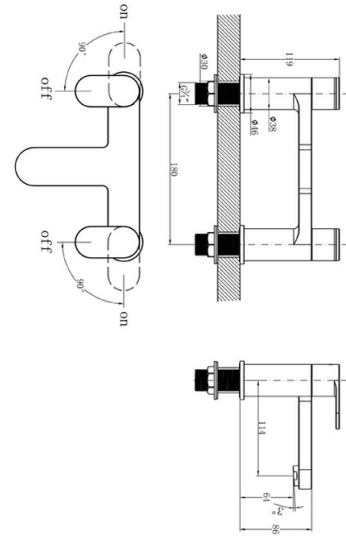


# Compact Bath Filler

## Compact Bath Filler Faucets

**RAK**  
CERAMICS



### Technical specifications

|                   |         |
|-------------------|---------|
| Dimensions:       | None    |
| Weight:           | 2.25 Kg |
| Color:            | Chrome  |
| Chrome thickness: | 0.30    |
| Cartridge:        | Yes     |
| Tail:             | NA      |
| Pressure:         | 3.00    |

| Code       | Name                |
|------------|---------------------|
| RAKCOM3004 | Compact Bath Filler |

Dimensions: All dimensions in mm. Tolerance of vitreous china & fireclay items:  $\pm 5\%$  for below 200mm and  $\pm 3\%$  for above 200mm; for all other items tolerance  $\pm 1\%$ . Note: Due to a continuing development program to improve design and performance, the manufacturer reserves all rights to vary specifications without prior information. Please note accessories are for photographic use only.